

ITEM No	DESCRIPTION	SUPPLIER	PART No	QTY
1	CABINET	LOGIX	ITCS180906	1
2	LOADCENTRE 6U	LOGIX	ITCS-LC-6	1
3	SHELF	LOGIX	ITCS-SHF	1
4	TELESCOPIC SHELF	LOGIX	ITCS-SHT	1
5	MOUNTING BLOCK	CLIPSAL	449AGR	3
6	DOOR LOCKS	LOCK FOCUS	1154-U2	2
7	ENCLOSURE OPAQUE LID	B&R	PJ302207	1
8	FILTER	LEIPOLE	7727-300	2

UNLESS NOTED OTHERWISE:
 1. Dimensions in millimetres.
 2. Deburr and break all sharp edges.
 Linear Dim's ± 0.5 Hole Diameters $^{+0.1}_{-0.05}$
 Angular Dim's $\pm 1^{\circ}$ All Bends $90^{\circ} \pm 0.5$



Logix Engineering Pty Ltd
 28 Spine St, Sumner Park,
 QLD, 4074, Australia
 t: +61 434 034 703
 w: www.logixeng.com.au
 e: tony@logixeng.com.au

Component Type	ITCS-ASSEMBLY
Finish	POWDERCOATED
Material	ALUMINIUM
	2.5mm

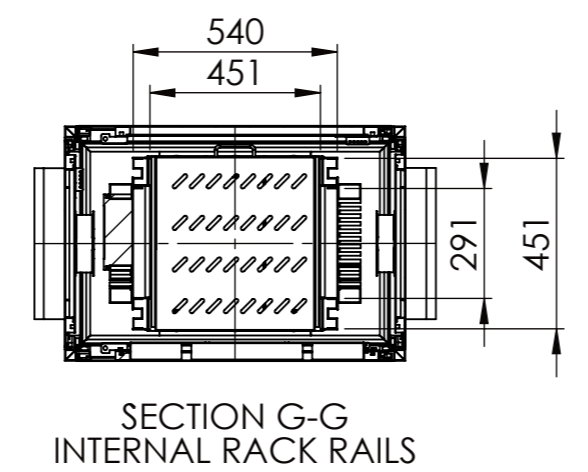
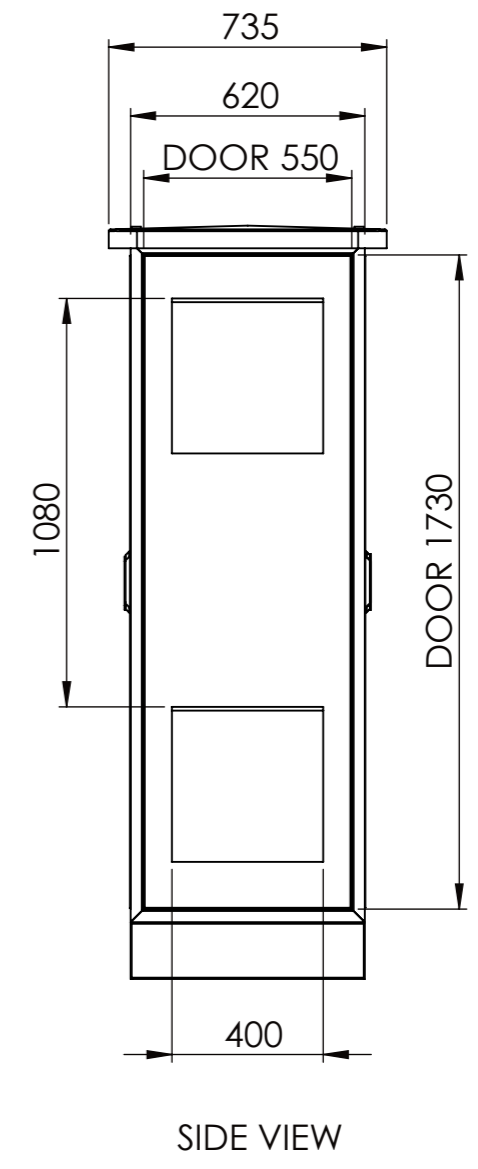
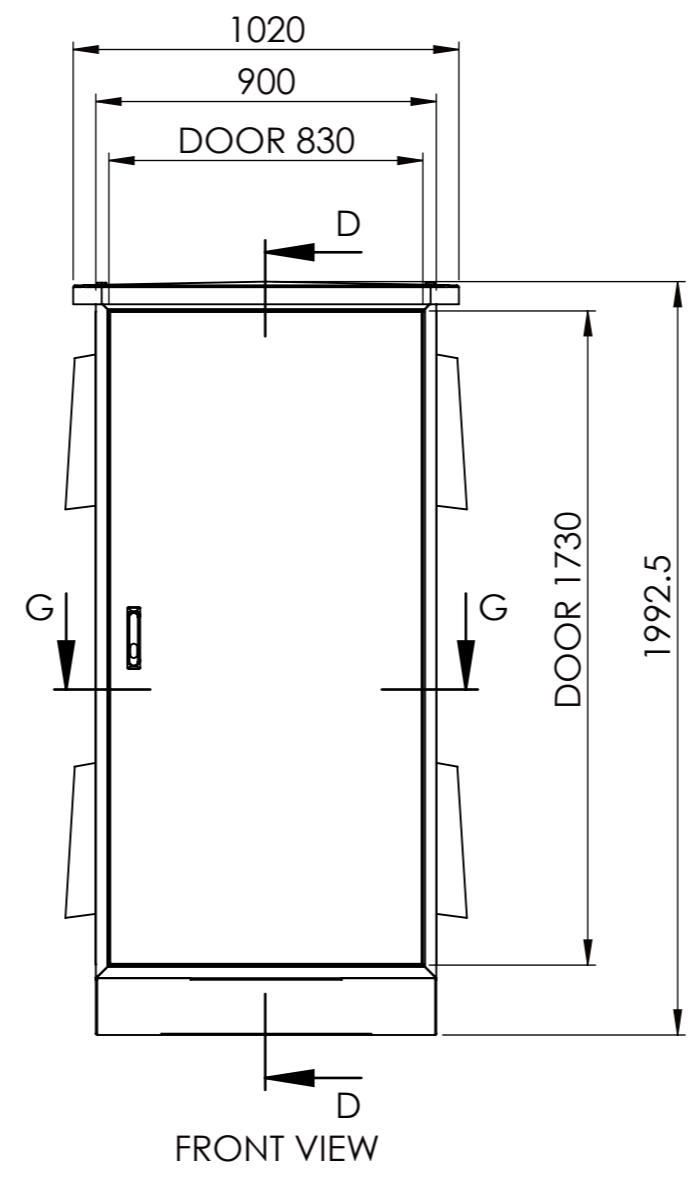
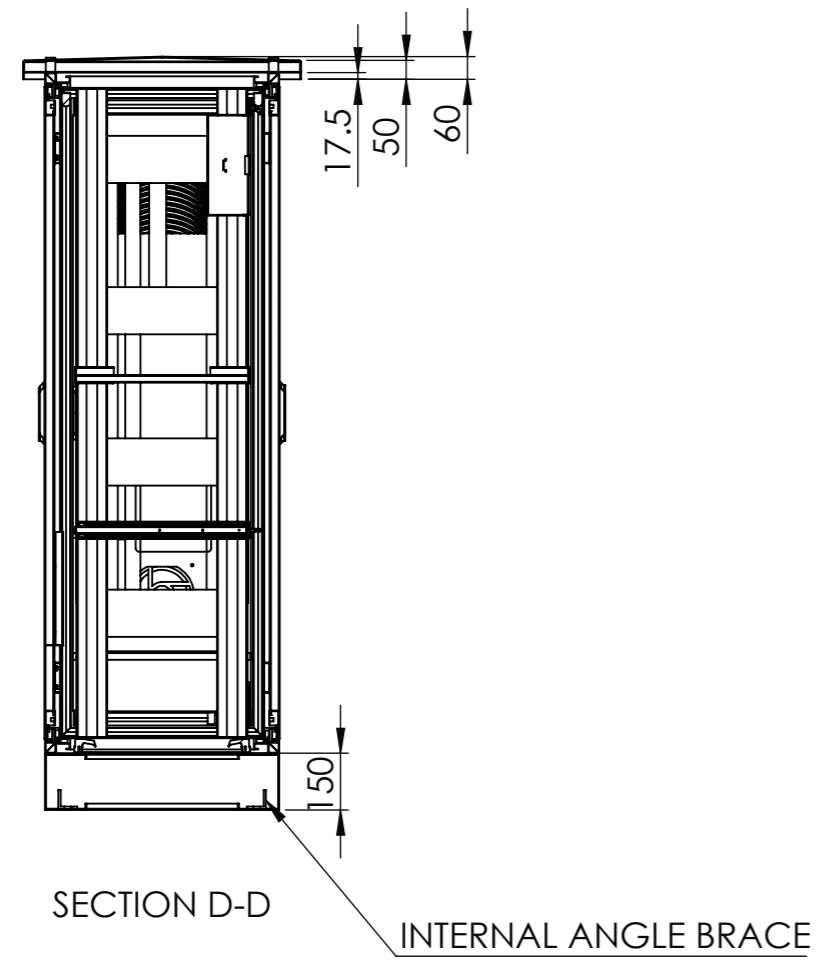
Linear tolerance	C
Angular tolerance	C
Geometry tolerance	L

Component / Assembly Description
TMR-ITCS-180906 ASSEMBLY

Date Printed	6/09/2020	Date Created	29/10/2019
Checked	RJS	Author	RJS
Mass	N/A		



Drawing Status	RELEASED FOR MANUFACTURE			Drawing Type	A
Scale	1:20	Sheet No.	1 of 6	Sheet size	A3
Drawing No.	TMR-ITCS-180906			Drg Rev	3A



UNLESS NOTED OTHERWISE:
 1. Dimensions in millimetres.
 2. Deburr and break all sharp edges.

Linear Dim's ± 0.5	Hole Diameters $^{+0.1}_{-0.05}$
Angular Dim's $\pm 1^\circ$	All Bends $90^\circ \pm 0.5$

Linear tolerance	C
Angular tolerance	C
Geometry tolerance	L

Date Printed	Date Created
6/09/2020	29/10/2019

Checked	Author	Mass
RJS	RJS	N/A

LOGIX ENGINEERING

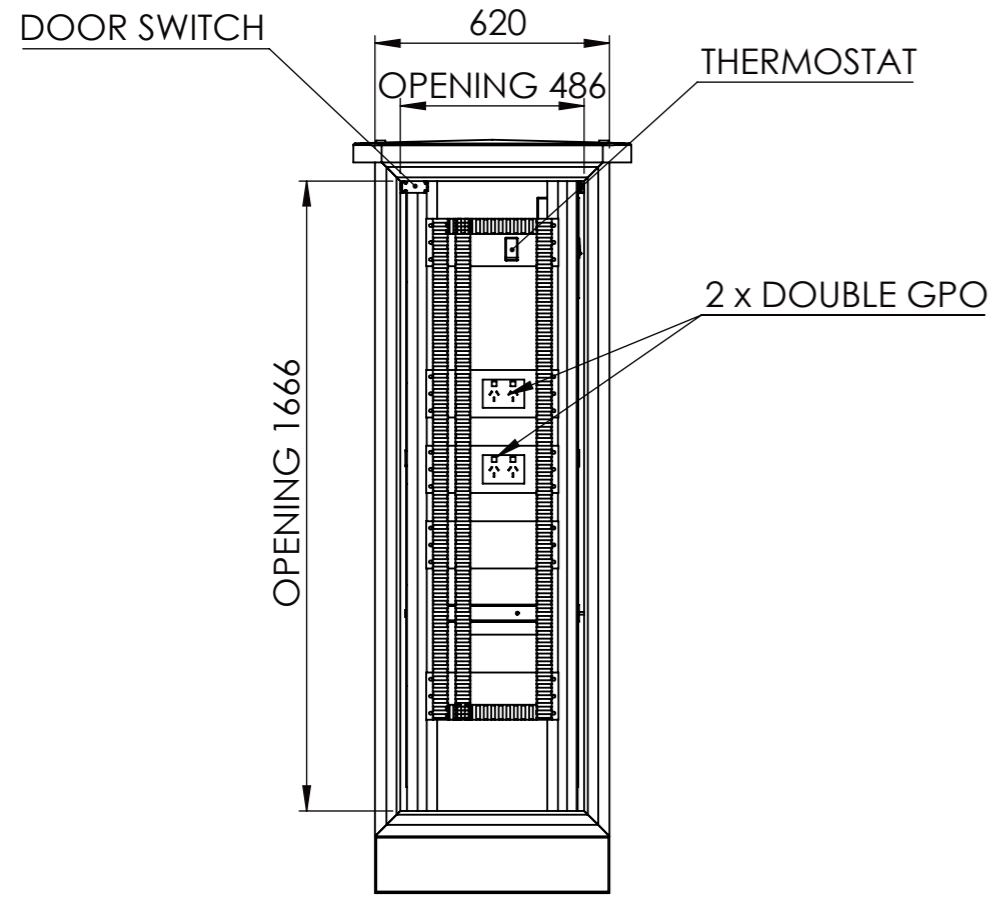
Logix Engineering Pty Ltd
 28 Spine St, Sumner Park,
 QLD, 4074, Australia
 t: +61 434 034 703
 w: www.logixeng.com.au
 e: tony@logixeng.com.au

Component / Assembly Description
TMR-ITCS-180906 ASSEMBLY

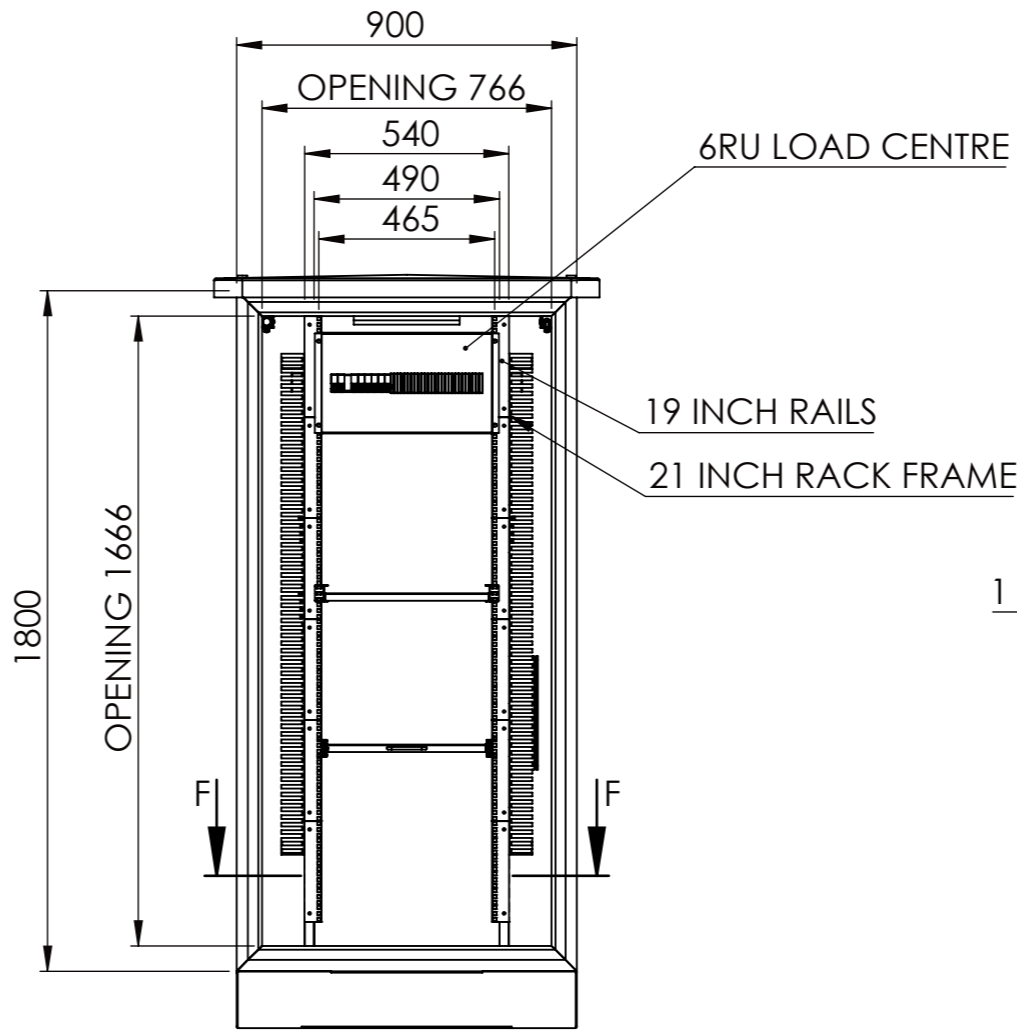
AS1100

Component Type	ITCS-ASSEMBLY
Finish	POWDERCOATED
Material	ALUMINIUM 2.5mm

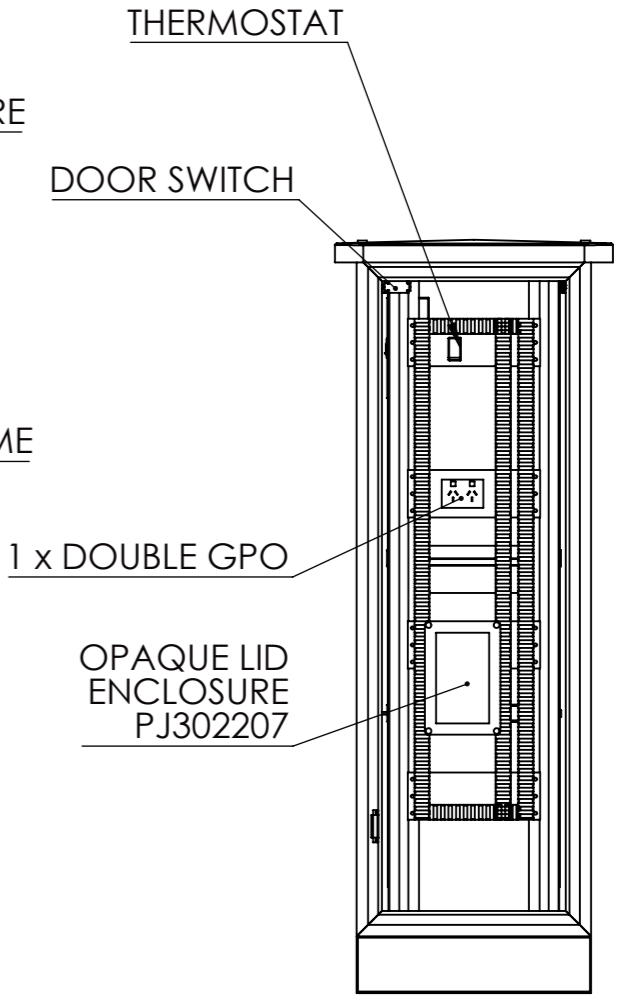
Drawing Status	RELEASED FOR MANUFACTURE	Drawing Type	A
Scale	1:20	Sheet No.	2 of 6
Sheet size	A3	Drawing No.	TMR-ITCS-180906
		Drg Rev	3A



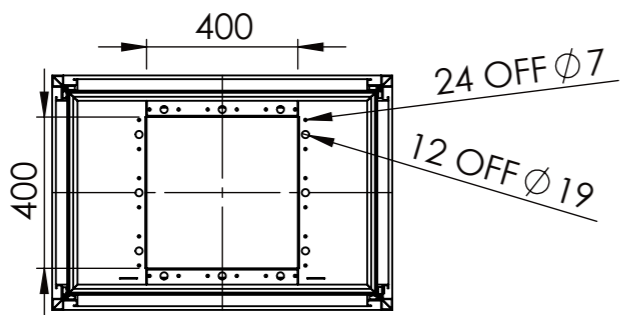
SIDE VIEW



FRONT VIEW

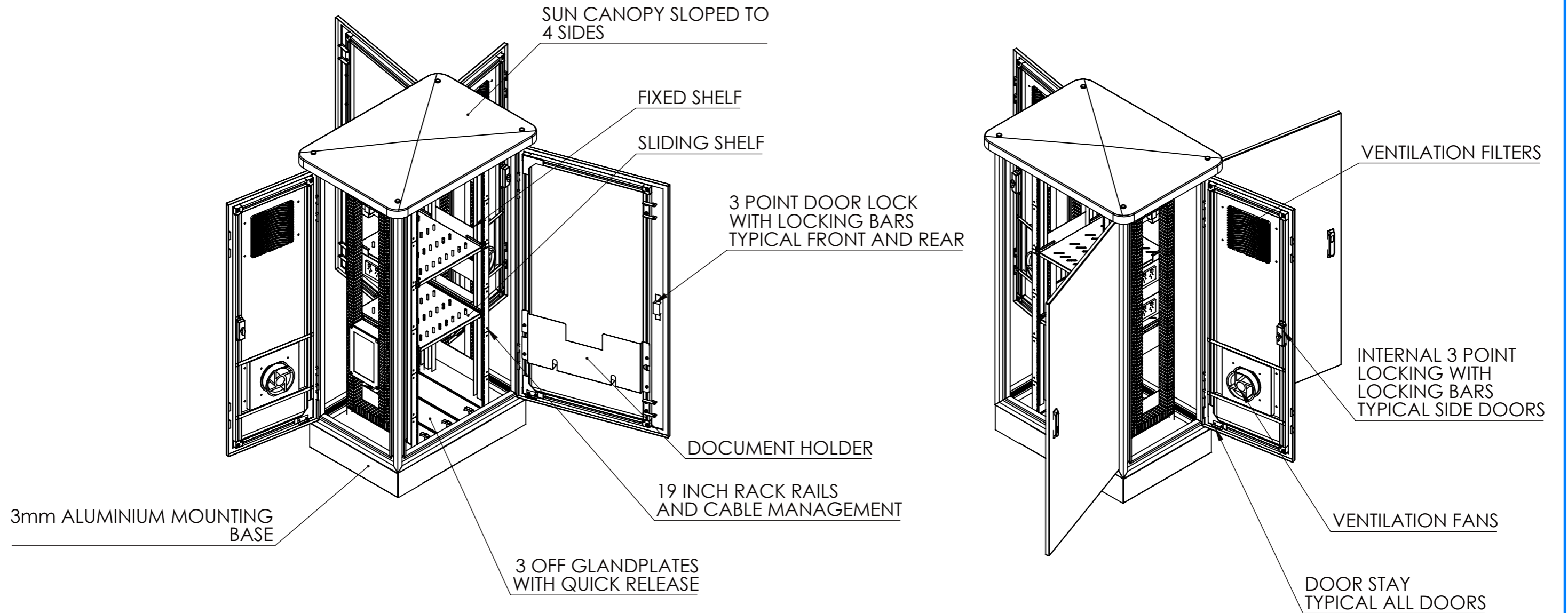


SIDE VIEW

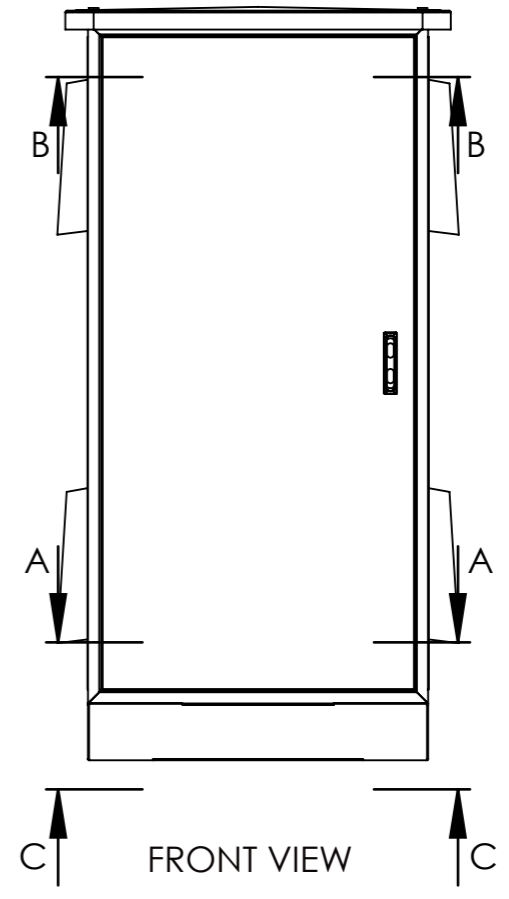
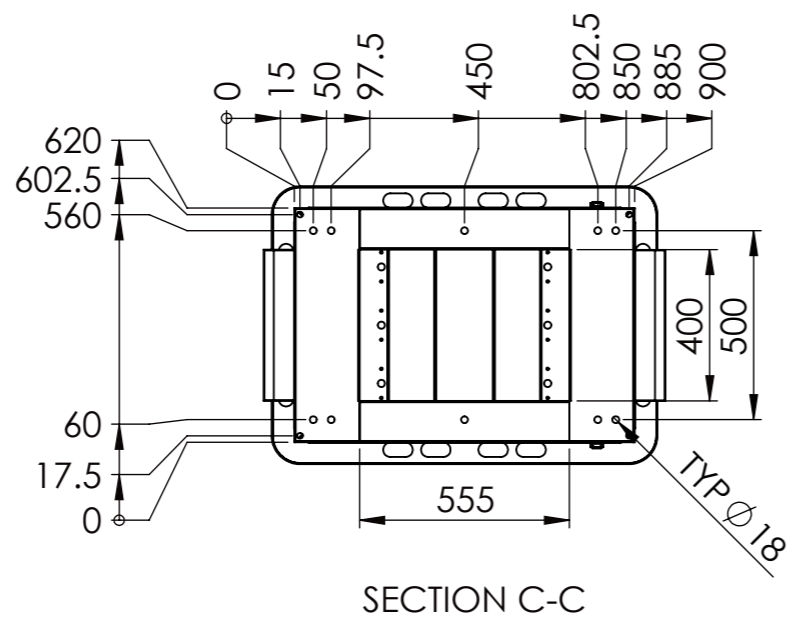
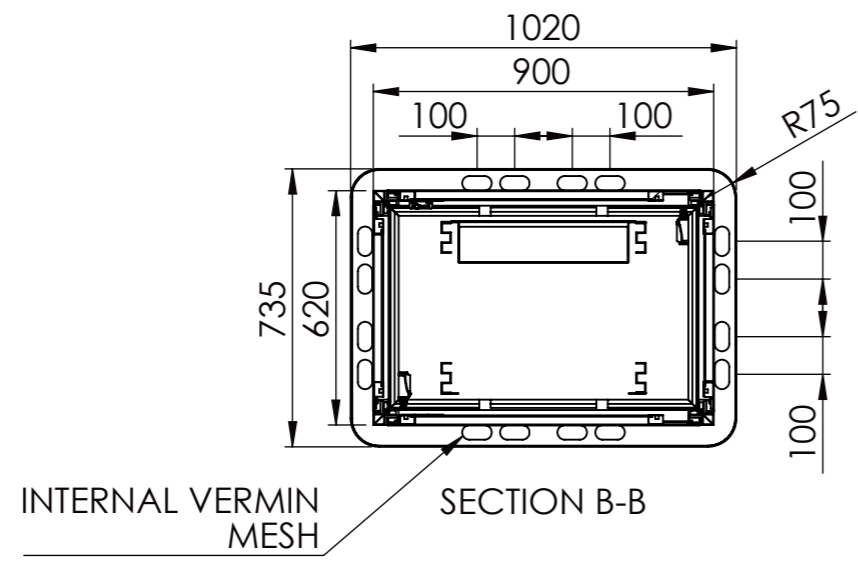
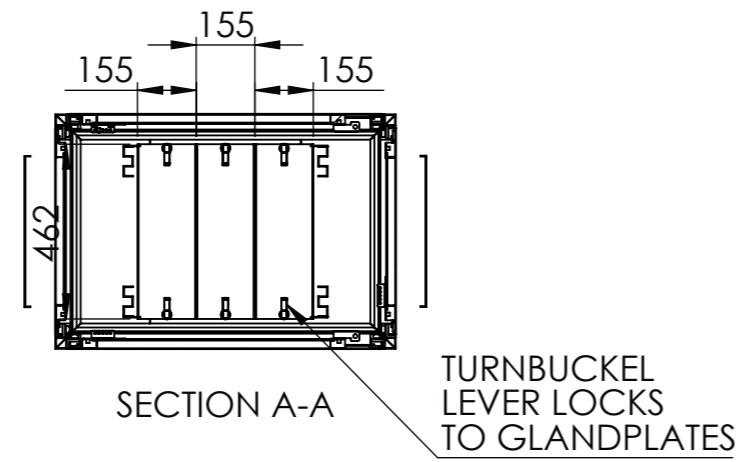


SECTION F-F
INSIDE OPENING WITH GLANDPLATES
REMOVED

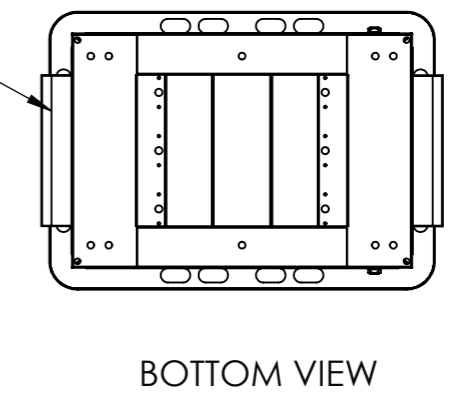
UNLESS NOTED OTHERWISE: 1. Dimensions in millimetres. 2. Deburr and break all sharp edges. Linear Dim's ± 0.5 Hole Diameters $^{+0.1}_{-0.05}$ Angular Dim's $\pm 1^\circ$ All Bends $90^\circ \pm 0.5$		Logix Engineering Pty Ltd 28 Spine St, Sumner Park, QLD, 4074, Australia t: +61 434 034 703 w: www.logixeng.com.au e: tony@logixeng.com.au	Component Type ITCS-ASSEMBLY
Linear tolerance C Angular tolerance C Geometry tolerance L	Finish POWDERCOATED Material ALUMINIUM 2.5mm		
Date Printed 6/09/2020 Date Created 29/10/2019		Component / Assembly Description TMR-ITCS-180906 ASSEMBLY	
Checked RJS Author RJS Mass N/A		Drawing Status RELEASED FOR MANUFACTURE	Drawing Type A
Scale 1:20 Sheet No. 3 of 6 Sheet size A3		Drawing No. TMR-ITCS-180906	Drg Rev 3A



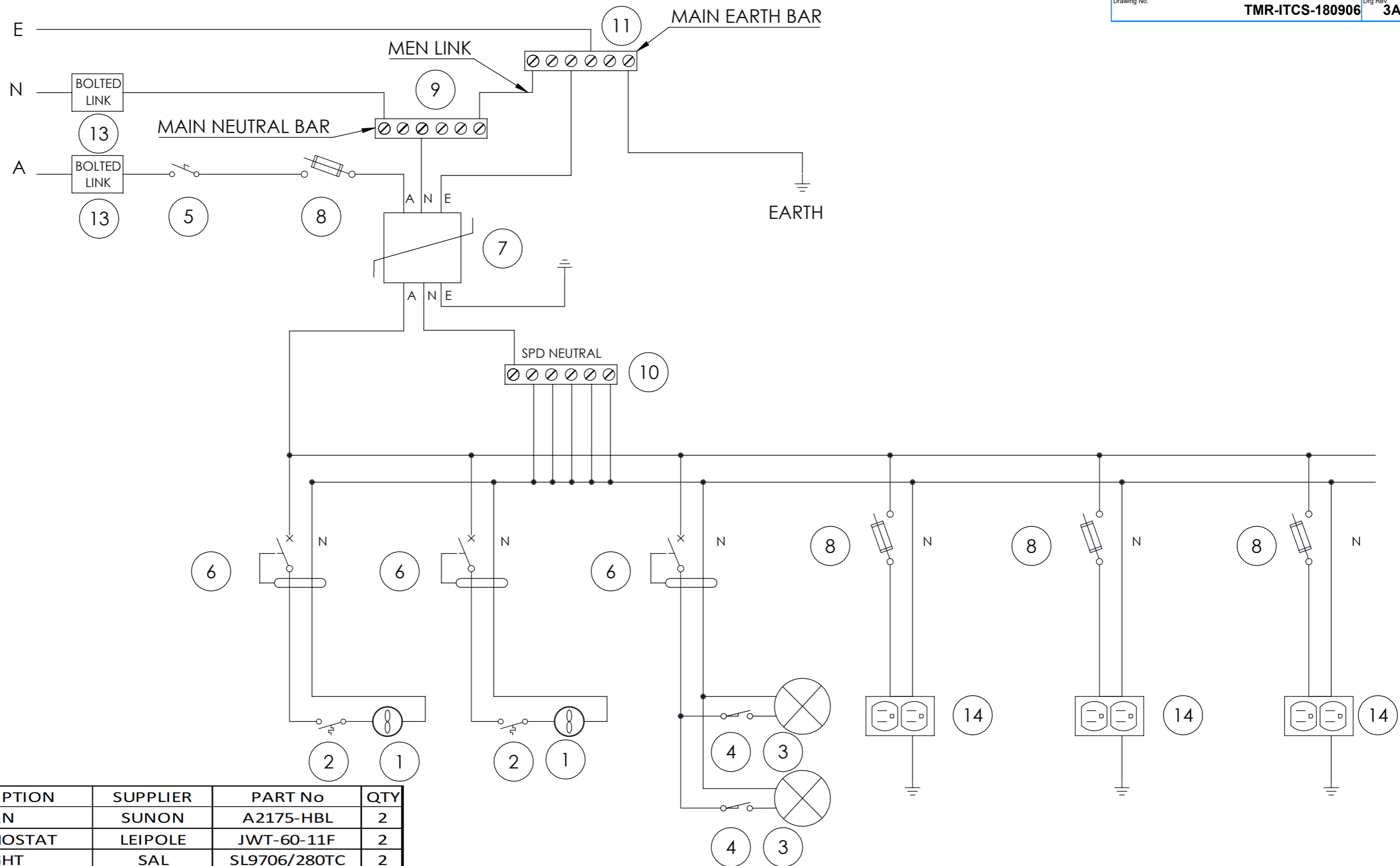
UNLESS NOTED OTHERWISE: 1. Dimensions in millimetres. 2. Deburr and break all sharp edges. Linear Dim's ± 0.5 Hole Diameters $^{+0.1}_{-0.05}$ Angular Dim's $\pm 1^\circ$ All Bends $90^\circ \pm 0.5$				Logix Engineering Pty Ltd 28 Spine St, Sumner Park, QLD, 4074, Australia t: +61 434 034 703 w: www.logixeng.com.au e: tony@logixeng.com.au		Component Type ITCS-ASSEMBLY
Linear tolerance C Angular tolerance C Geometry tolerance L				Component / Assembly Description TMR-ITCS-180906 ASSEMBLY		Finish POWDERCOATED Material ALUMINIUM 2.5mm
Date Printed 6/09/2020		Date Created 29/10/2019		Drawing Status RELEASED FOR MANUFACTURE		Drawing Type A
Checked RJS	Author RJS	Mass N/A		Scale 1:20	Sheet No. 4 of 6	Sheet size A3
				Drawing No. TMR-ITCS-180906		Drg Rev 3A



VERMIN MESH TO UNDERSIDE OF ALL VENT COVERS



UNLESS NOTED OTHERWISE: 1. Dimensions in millimetres. 2. Deburr and break all sharp edges. Linear Dim's ± 0.5 Hole Diameters $^{+0.1}_{-0.05}$ Angular Dim's $\pm 1^\circ$ All Bends $90^\circ \pm 0.5$			LOGIX ENGINEERING Logix Engineering Pty Ltd 28 Spine St, Sumner Park, QLD, 4074, Australia t: +61 434 034 703 w: www.logixeng.com.au e: tony@logixeng.com.au		Component Type ITCS-ASSEMBLY Finish POWDERCOATED Material ALUMINIUM 2.5mm	
Linear tolerance C Angular tolerance C Geometry tolerance L			Component / Assembly Description TMR-ITCS-180906 ASSEMBLY			
Date Printed 6/09/2020		Date Created 29/10/2019		Drawing Status RELEASED FOR MANUFACTURE		Drawing Type A
Checked RJS	Author RJS	Mass N/A	Scale 1:20	Sheet No. 5 of 6	Sheet size A3	Drawing No. TMR-ITCS-180906 Drg Rev 3A



ITEM No	DESCRIPTION	SUPPLIER	PART No	QTY
1	FAN	SUNON	A2175-HBL	2
2	THERMOSTAT	LEIPOLE	JWT-60-11F	2
3	LIGHT	SAL	SL9706/280TC	2
4	DOOR SWITCH	SCHNEIDER	XCK	2
5	MAIN SWITCH	SCHNEIDER	A9S66163	1
6	6A RCBO	SCHNEIDER	A9D61806	3
7	SURGE FILTER	NOVARIS	SFD1-20-50-275A	1
8	1P HRC FUSE	LEGRAND	O5808	5
9	NEUTRAL MAIN	NETEC	SPB-170323	1
10	NEUTRAL PROTECTED	NETEC	NE32F012X	1
11	EARTH	NETEC	NE32F012X	1
12	NEUTRAL FEET	NETEC	INSF	4
13	MAINS TERMINAL	WEIDMULLET	WFF70	2
14	RCD GPO	CLIPSAL	2025RCD30WE	3

UNLESS NOTED OTHERWISE:
 1. Dimensions in millimetres.
 2. Deburr and break all sharp edges.
 Linear Dim's ± 0.5 Hole Diameters $^{+0.1}_{-0.05}$
 Angular Dim's $\pm 1^\circ$ All Bends $90^\circ \pm 0.5$

Checked: **RJS** Author: **RJS** Mass: **N/A**

LOGIX ENGINEERING
 Logix Engineering Pty Ltd
 28 Spine St, Sumner Park,
 QLD, 4074, Australia
 t: +61 434 034 703
 w: www.logixeng.com.au
 e: tony@logixeng.com.au

Component / Assembly Description
TMR-ITCS-180906 ASSEMBLY

AS1100

Component Type
ITCS-ASSEMBLY

Finish **POWDERCOATED** Material **ALUMINIUM**
2.5mm

Drawing Status
RELEASED FOR MANUFACTURE

Scale: **1:10** Sheet No: **6 of 6** Sheet size: **A3** Drawing No.: **TMR-ITCS-180906** Drawing Type: **A** Drg Rev: **3A**