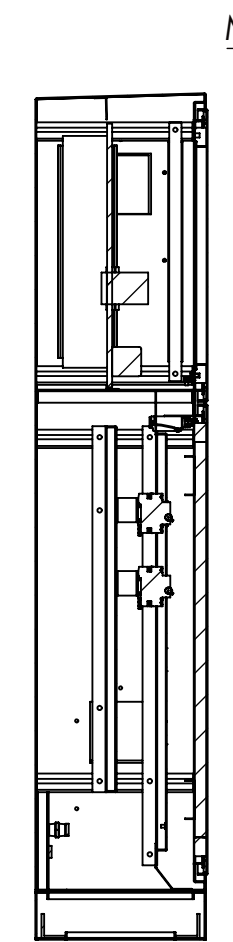


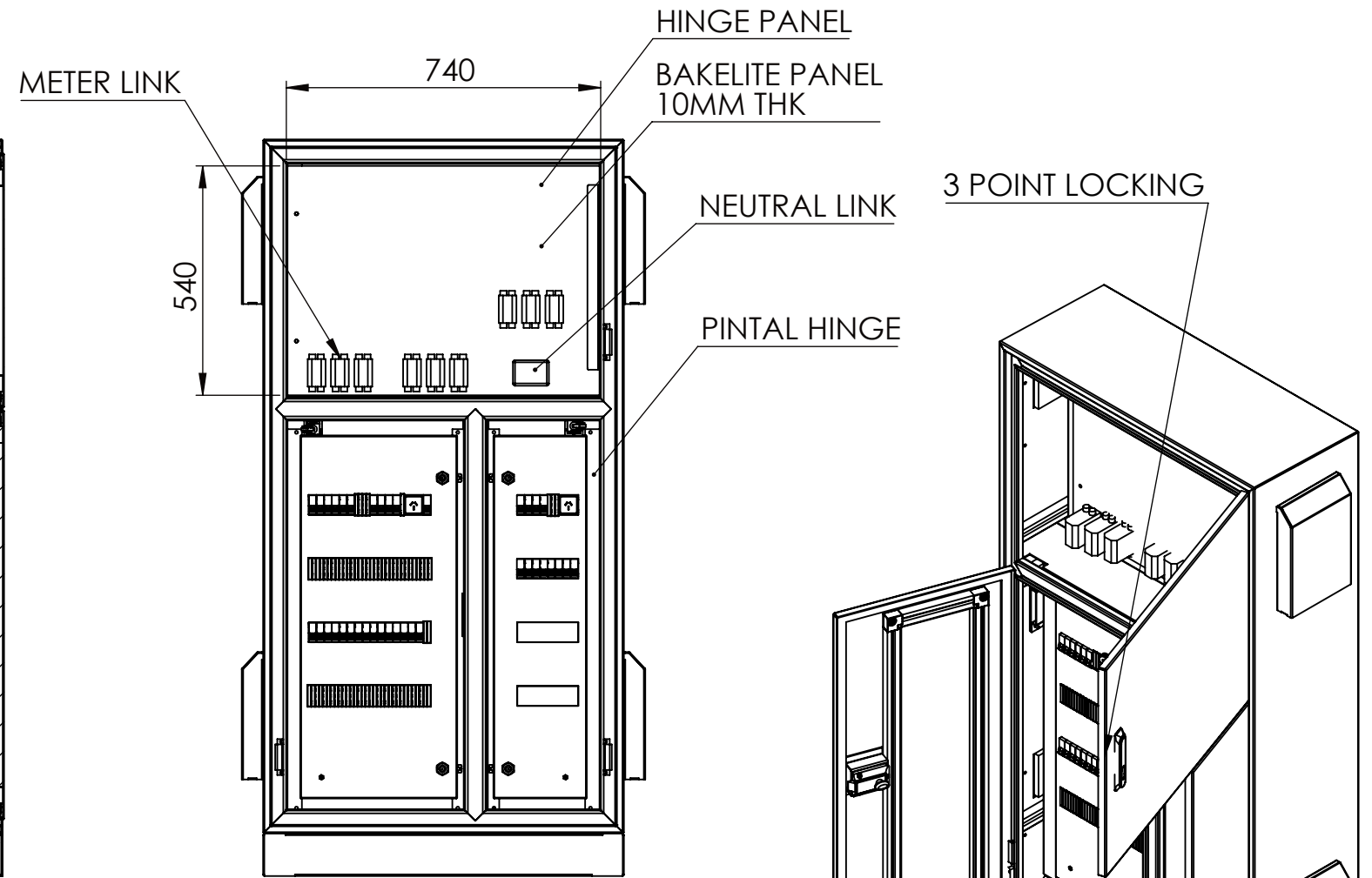
SECTION A-A

FRONT VIEW

SECTION B-B

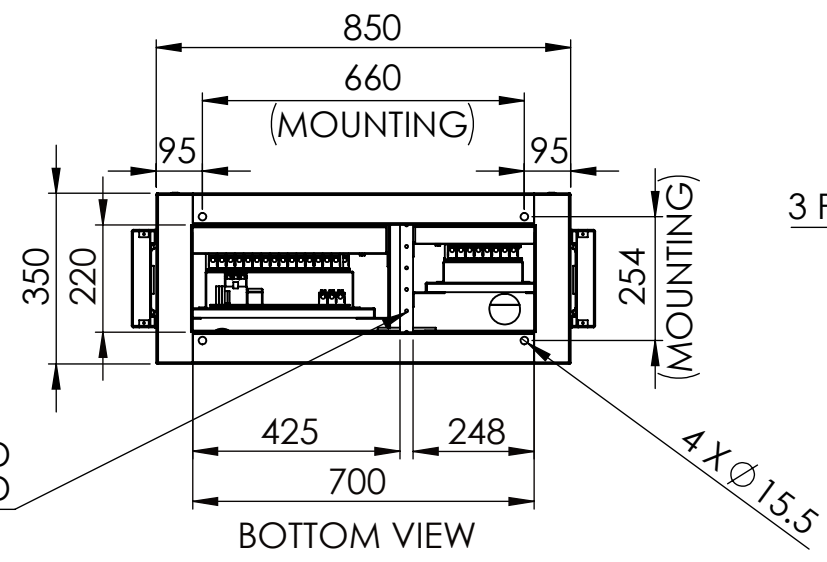


SECTION C-C



FRONT VIEW DOOR REMOVED

3 POINT LOCKING



BOTTOM VIEW

UNLESS NOTED OTHERWISE:
 1. Dimensions in millimetres.
 2. Deburr and break all sharp edges.
 Linear Dim's ± 0.5 Hole Diameters $^{+0.1}_{-0.05}$
 Angular Dim's $\pm 1^\circ$ All Bends $90^\circ \pm 0.5$



Logix Engineering Pty Ltd
 28 Spine St, Sumner Park,
 QLD, 4074, Australia
 t: +61 434 034 703
 w: www.logixeng.com.au
 e: tony@logixeng.com.au

Component Type	VR-EDC-T3
Finish	POWDERCOATED
Material	ALUMINIUM 2.5 mm

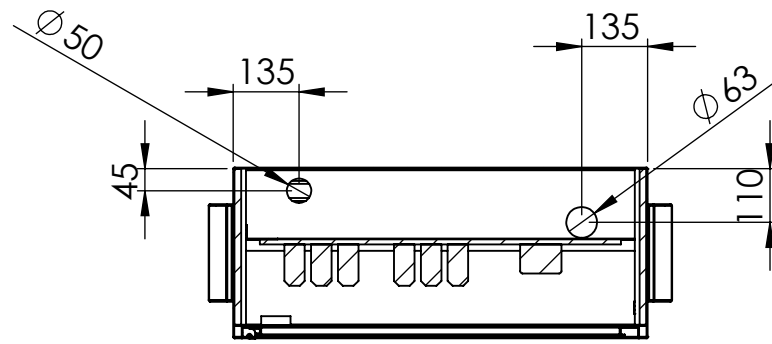
Linear tolerance	C
Angular tolerance	C
Geometry tolerance	L

Component / Assembly Description
DISTRIBUTION CABINET TYPE 3

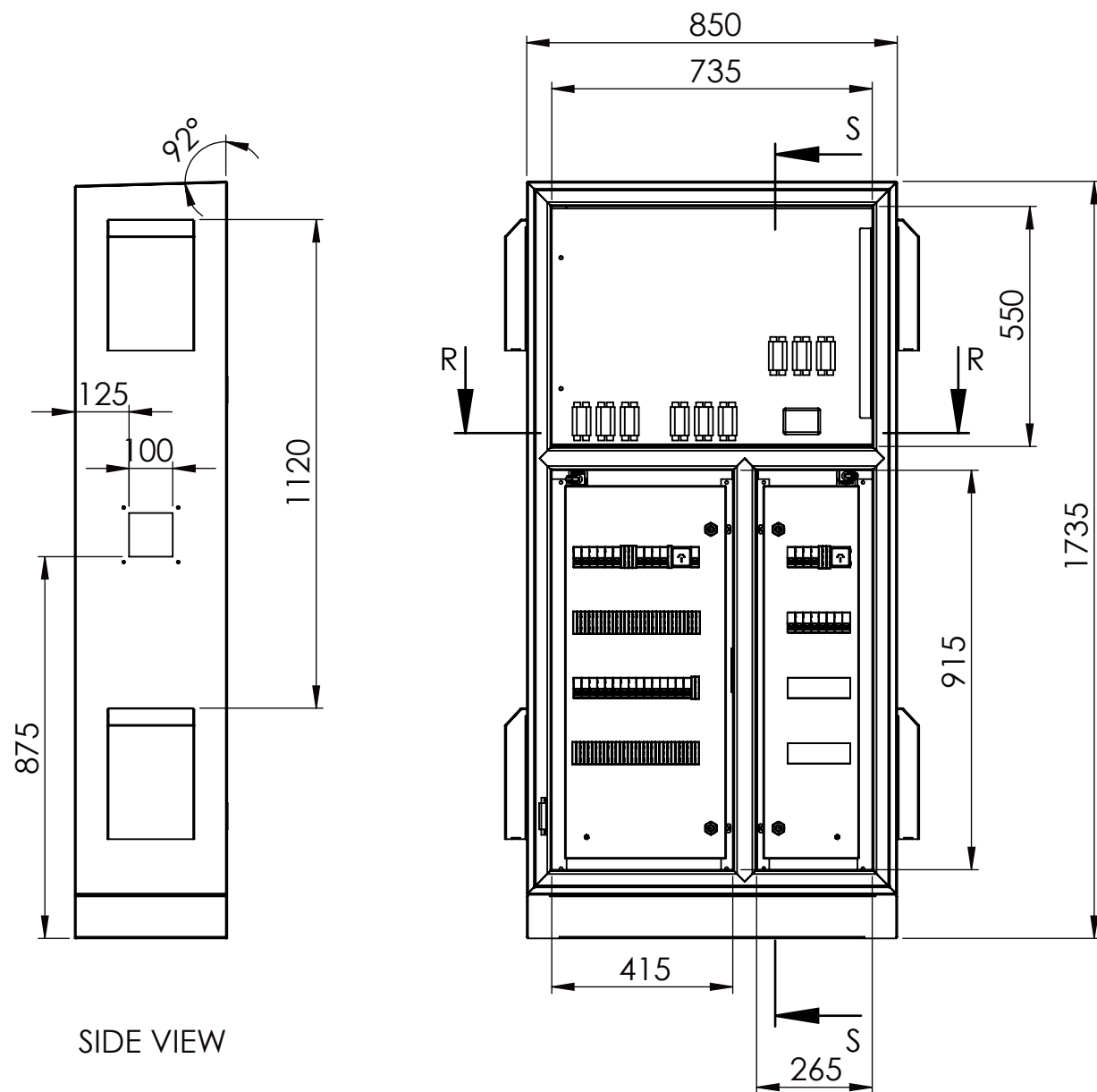
Date Printed	12/10/2021	Date Created	12/02/2020
Checked	RJS	Author	RJS
Mass	Kgs.		



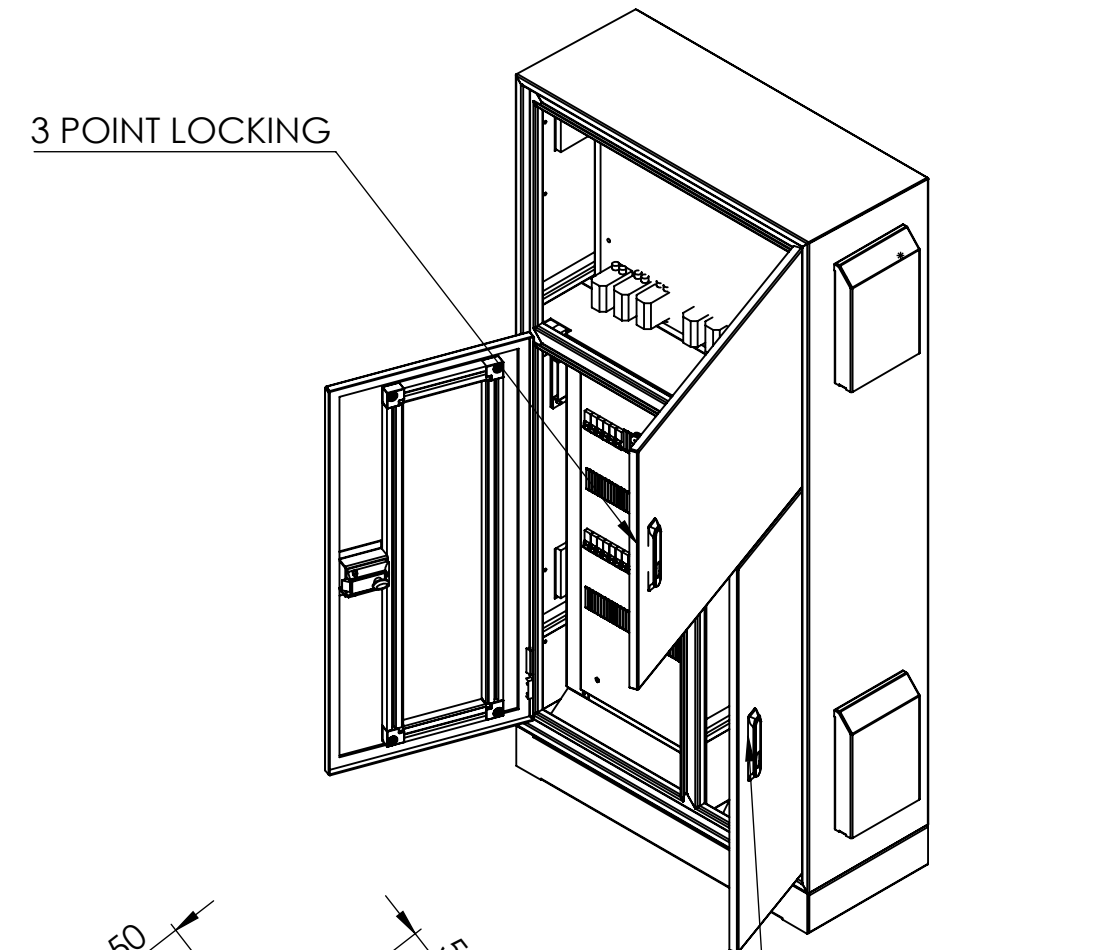
Drawing Status	RELEASED FOR MANUFACTURE			Drawing Type	A
Scale	1:15.5	Sheet No.	1 of 5	Sheet size	A3
Drawing No.	VR-EDC-T3			Drg Rev	7A



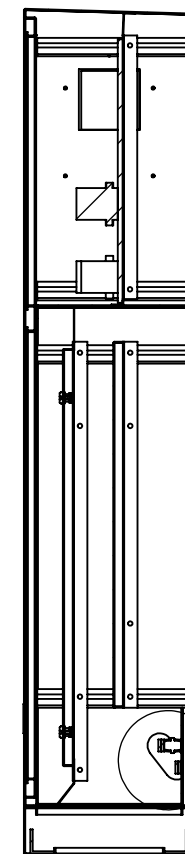
SECTION R-R



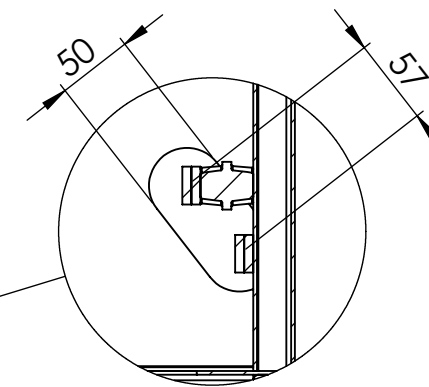
FRONT VIEW
DOOR REMOVED



3 POINT LOCKING



SECTION S-S



DETAIL T
SCALE 1 : 5

UNLESS NOTED OTHERWISE:
 1. Dimensions in millimetres.
 2. Deburr and break all sharp edges.

Linear Dim's ± 0.5	Hole Diameters $^{+0.1}_{-0.05}$
Angular Dim's $\pm 1^\circ$	All Bends $90^\circ \pm 0.5$
Linear tolerance	C
Angular tolerance	C
Geometry tolerance	L
Date Printed	Date Created
12/10/2021	12/02/2020
Checked	Author
RJS	RJS
Mass	Kgs.

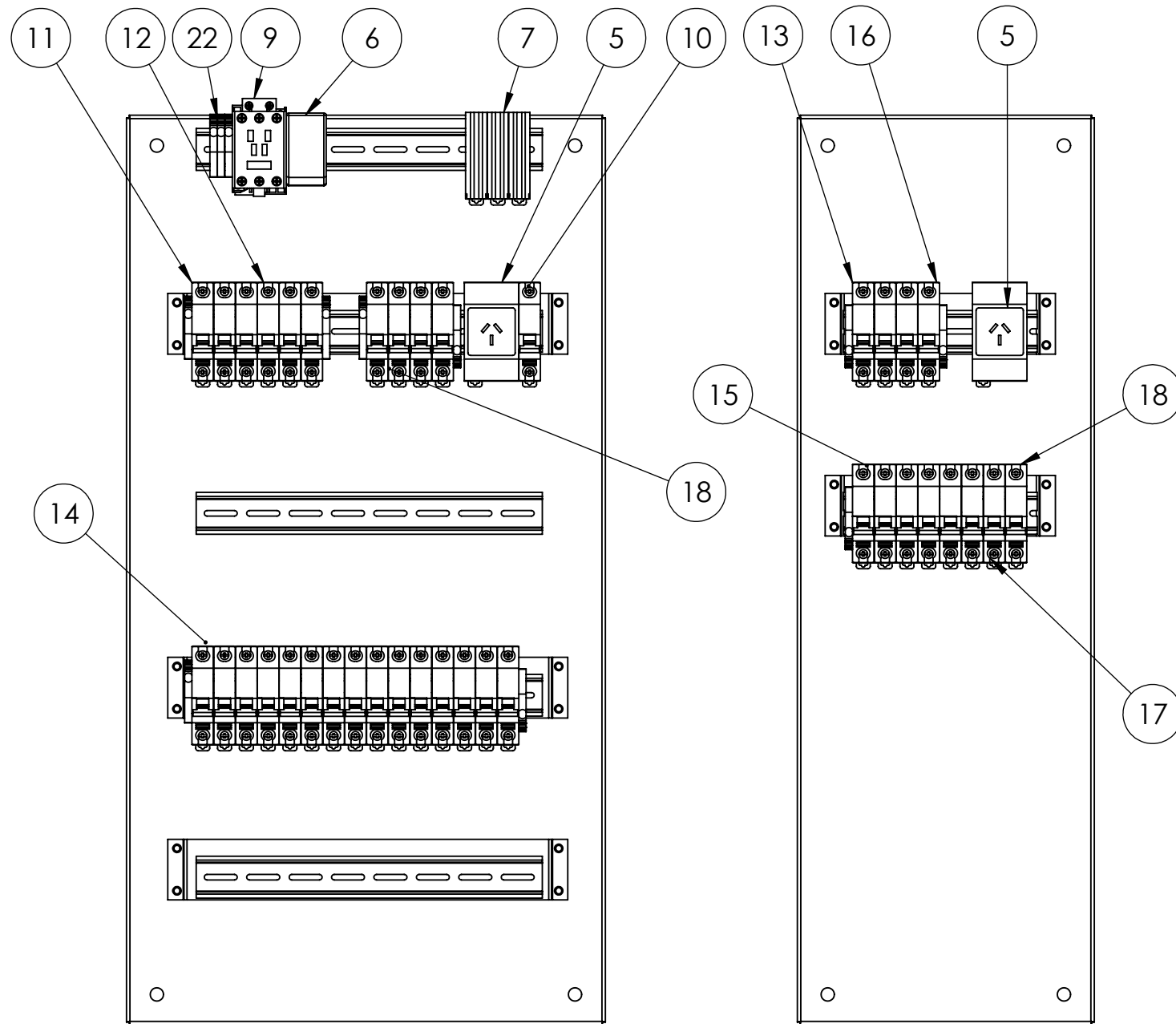
LOGIX ENGINEERING

Logix Engineering Pty Ltd
 28 Spine St, Sumner Park,
 QLD, 4074, Australia
 t: +61 434 034 703
 w: www.logixeng.com.au
 e: tony@logixeng.com.au

Component / Assembly Description
DISTRIBUTION CABINET TYPE 3

AS1100

Component Type	VR-EDC-T3
Finish	POWDERCOATED
Material	ALUMINIUM 2.5 mm
Drawing Status	RELEASED FOR MANUFACTURE
Drawing No.	VR-EDC-T3
Scale	1:15.5
Sheet No.	2 of 5
Sheet size	A3
Drawing Type	A
Drg Rev	7A



LIGHTING

ITS

ITEM No	DESCRIPTION	SUPPLIER	PART No	QTY
5	GPO DIN SOCKET	HAGER	SON10DA	2
6	THERMOSTAT		KTO011	1
7	HEATER	LEIPOLE	IRQ30	1
9	LIGHTING CONTACTOR	SPRECHER + SCHUH	CA7-37-00	1
10	BYPASS SWITCH	LEGRAND	BP30076	1
11	50A 3P MCB	SCHNEIDER	A9F44350	1
12	63A 3P MCB	SCHNEIDER	A9F44363	1
13	40A 3P MCB	SCHNEIDER	A9F44340	1
14	16A 3P MCB	SCHNEIDER	A9F44316	5
15	32A 3P MCB	SCHNEIDER	A9F44332	2
16	6A 1P MCB	SCHNEIDER	A9F44106	1
17	16A 1P MCB	SCHNEIDER	A9F44116	1
18	6A 1P RCBO	SCHNEIDER	A9D61806	5
22	TERMINALS	DEGSON	PC4	3

UNLESS NOTED OTHERWISE:

- Dimensions in millimetres.
 - Deburr and break all sharp edges.
- Linear Dim's ± 0.5 Hole Diameters $^{+0.1}_{-0.05}$
 Angular Dim's $\pm 1^{\circ}$ All Bends $90^{\circ} \pm 0.5$



Logix Engineering Pty Ltd
 28 Spine St, Sumner Park,
 QLD, 4074, Australia
 t: +61 434 034 703
 w: www.logixeng.com.au
 e: tony@logixeng.com.au

Component Type
VR-EDC-T3

Finish
POWDERCOATED

Material
**ALUMINIUM
 2.5 mm**

Linear tolerance	C
Angular tolerance	C
Geometry tolerance	L

Component / Assembly Description
DISTRIBUTION CABINET TYPE 3

Date Printed
12/10/2021

Date Created
12/02/2020

Checked
RJS

Author
RJS

Mass
Kgs.



Drawing Status

RELEASED FOR MANUFACTURE

Drawing Type

A

Scale
1:5

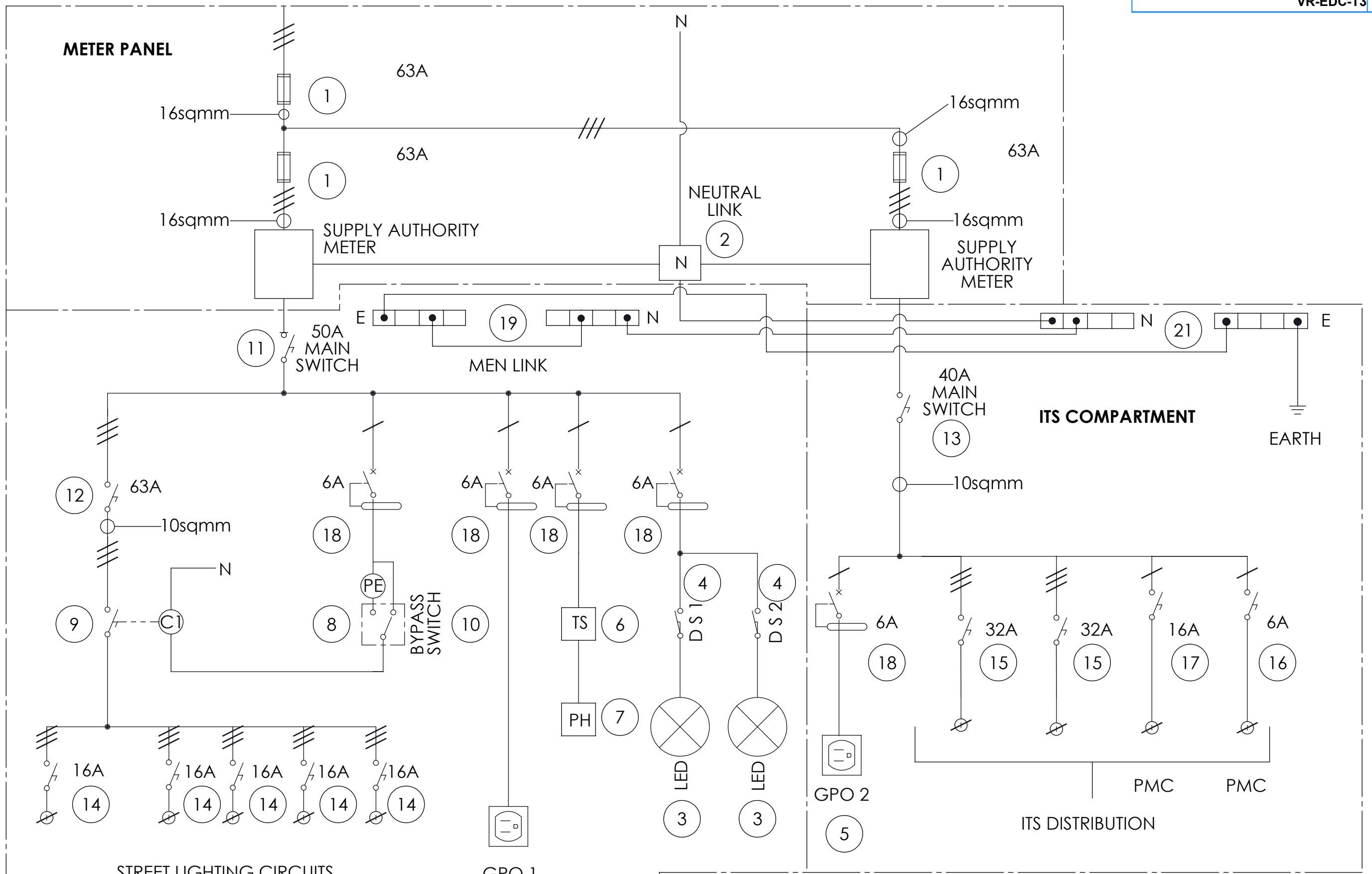
Sheet No.
3 of 5

Sheet size
A3

Drawing No.

VR-EDC-T3

7A



UNLESS NOTED OTHERWISE: 1. Dimensions in millimetres. 2. Deburr and break all sharp edges. Linear Dim's ± 0.5 Hole Diameters $^{+0.1}_{-0.05}$ Angular Dim's $\pm 1^\circ$ All Bends $90^\circ \pm 0.5$		Logix Engineering Pty Ltd 28 Spine St, Sumner Park, QLD, 4074, Australia t: +61 434 034 703 w: www.logixeng.com.au e: tony@logixeng.com.au	Component Type VR-EDC-T3
Linear tolerance C Angular tolerance C Geometry tolerance L	Finish POWDERCOATED Material ALUMINIUM 2.5 mm		
Date Printed 12/10/2021 Date Created 12/02/2020		Component / Assembly Description DISTRIBUTION CABINET TYPE 3	
Checked RJS Author RJS Mass Kgs.		Drawing Status RELEASED FOR MANUFACTURE	Drawing Type A
Scale 1:5 Sheet No. 4 of 5 Sheet size A3		Drawing No. VR-EDC-T3 Drg Rev 7A	

ITEM No	DESCRIPTION	SUPPLIER	PART No	QTY
1	METER FUSE	IPD	S71002ABWS	9
2	METER NEUTRAL	IPD	VICLINK	1
3	LIGHT	SAL	SL9706/280TC	2
4	DOOR SWITCH		XCK-P121	2
5	GPO DIN SOCKET	HAGER	SON10DA	2
6	THERMOSTAT		KTO011	1
7	HEATER	LEIPOLE	IRQ30	1
8	PE CELL	ROYCE THOMPSON	MICROSTAR 2000 ST	1
9	LIGHTING CONTACTOR	SPRECHER + SCHUH	CA7-37-00	1
10	BYPASS SWITCH	LEGRAND	BP30076	1
11	50A 3P MCB	SCHNEIDER	A9F44350	1
12	63A 3P MCB	SCHNEIDER	A9F44363	1
13	40A 3P MCB	SCHNEIDER	A9F44340	1
14	16A 3P MCB	SCHNEIDER	A9F44316	5
15	32A 3P MCB	SCHNEIDER	A9F44332	2
16	6A 1P MCB	SCHNEIDER	A9F44106	1
17	16A 1P MCB	SCHNEIDER	A9F44116	1
18	6A 1P RCBO	SCHNEIDER	A9D61806	5
19	NEUTRAL/EARTH	NETEC	NE250A-M018X	2
20	BUSBAR	SCHNEIDER	A9XPH312	1
21	NEUTRAL/EARTH	NETEC	NE250A-M012X	2
22	TERMINALS	DEGSON	PC4	3

UNLESS NOTED OTHERWISE:
 1. Dimensions in millimetres.
 2. Deburr and break all sharp edges.
 Linear Dim's ± 0.5 Hole Diameters $^{+0.1}_{-0.05}$
 Angular Dim's $\pm 1^{\circ}$ All Bends $90^{\circ} \pm 0.5$

Linear tolerance	C
Angular tolerance	C
Geometry tolerance	L

Date Printed	12/10/2021	Date Created	12/02/2020
--------------	------------	--------------	------------

Checked	RJS	Author	RJS	Mass	Kgs.
---------	-----	--------	-----	------	------

LOGIX
ENGINEERING

Logix Engineering Pty Ltd
 28 Spine St, Sumner Park,
 QLD, 4074, Australia
 t: +61 434 034 703
 w: www.logixeng.com.au
 e: tony@logixeng.com.au

Component / Assembly Description

DISTRIBUTION CABINET TYPE 3



AS1100

Drawing Status

RELEASED FOR MANUFACTURE

Scale

1:15.5

Sheet No.

5 of 5

Sheet size

A3

Drawing No.

VR-EDC-T3

Drawing Type

A

Drg Rev

7A

Component Type

VR-EDC-T3

Finish

POWDERCOATED

Material

ALUMINIUM
2.5 mm