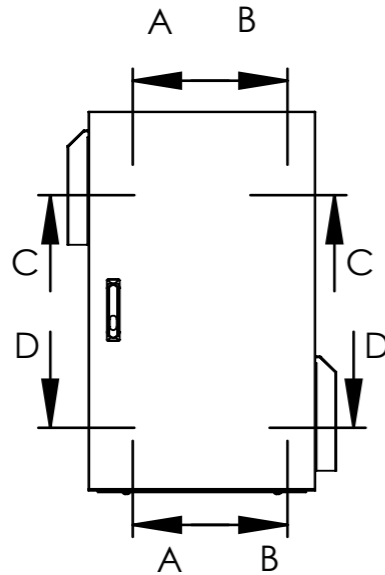
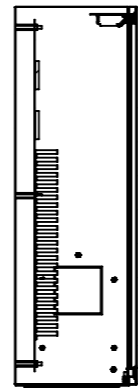


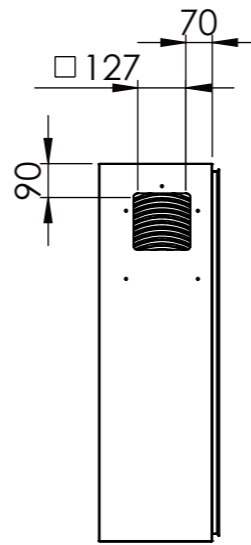
SECTION C-C



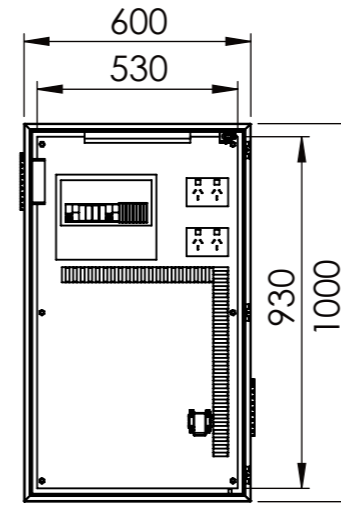
SECTION A-A



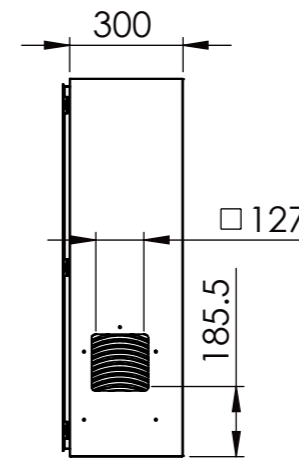
SECTION B-B



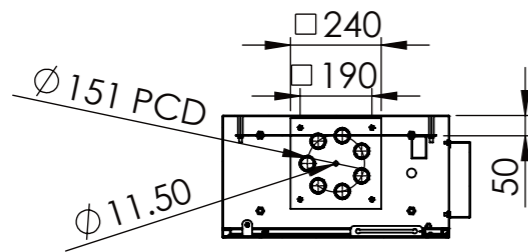
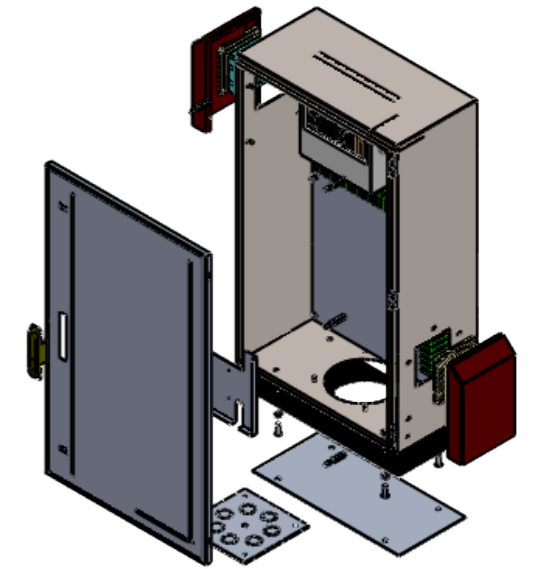
SIDE VIEW



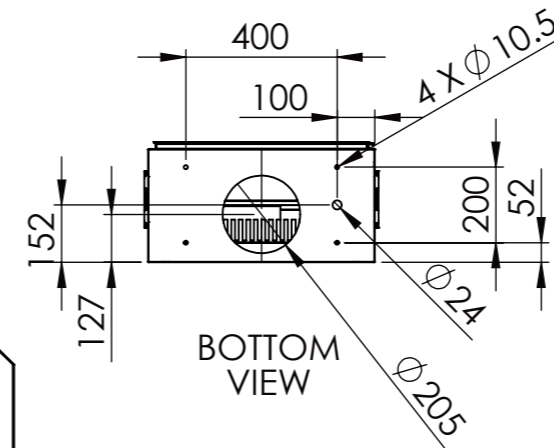
FRONT VIEW



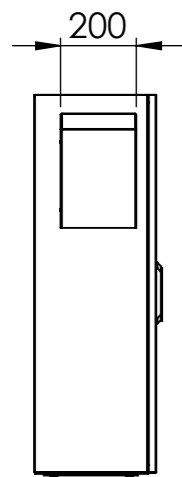
SIDE VIEW



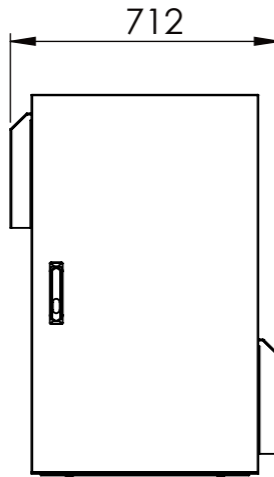
SECTION D-D



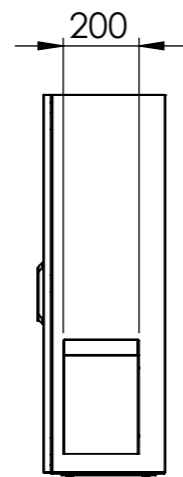
BOTTOM VIEW



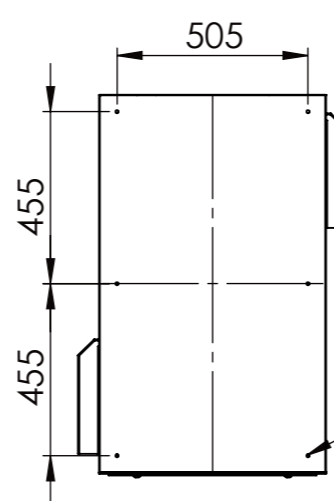
SIDE VIEW



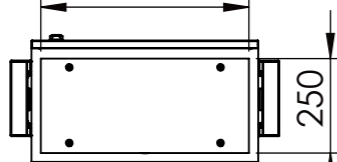
FRONT VIEW



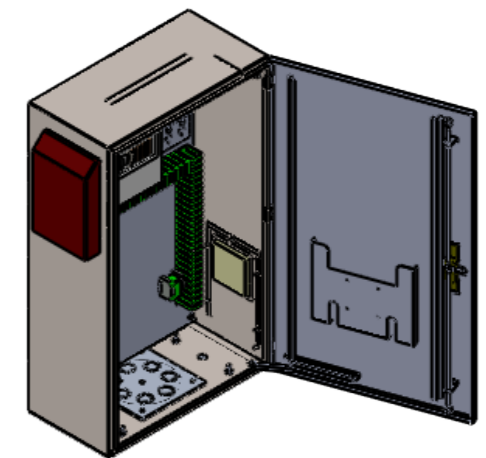
SIDE VIEW



REAR VIEW



BOTTOM VIEW



UNLESS NOTED OTHERWISE:  
 1. Dimensions in millimetres.  
 2. Deburr and break all sharp edges.  
 Linear Dim's  $\pm 0.5$  Hole Diameters  $^{+0.1}_{-0.05}$   
 Angular Dim's  $\pm 1^\circ$  All Bends  $90^\circ \pm 0.5$



Logix Engineering Pty Ltd  
 28 Spine St, Sumner Park,  
 QLD, 4074, Australia  
 t: +61 434 034 703  
 w: www.logixeng.com.au  
 e: tony@logixeng.com.au

Component Type  
**PME ENCLOSURE**

Finish **N/4**

Material  
**1.5mm**

Component / Assembly Description  
**POLE MOUNT ENCLOSURE TMR-PME100603-S-W-S**

Date Printed  
**3/09/2021**

Date Created  
**23/03/2020**

Checked  
**RJS**

Author  
**RJS**

Mass  
**Kgs.**



Drawing Status

**RELEASED FOR MANUFACTURE**

Drawing Type

Scale  
**1:20**

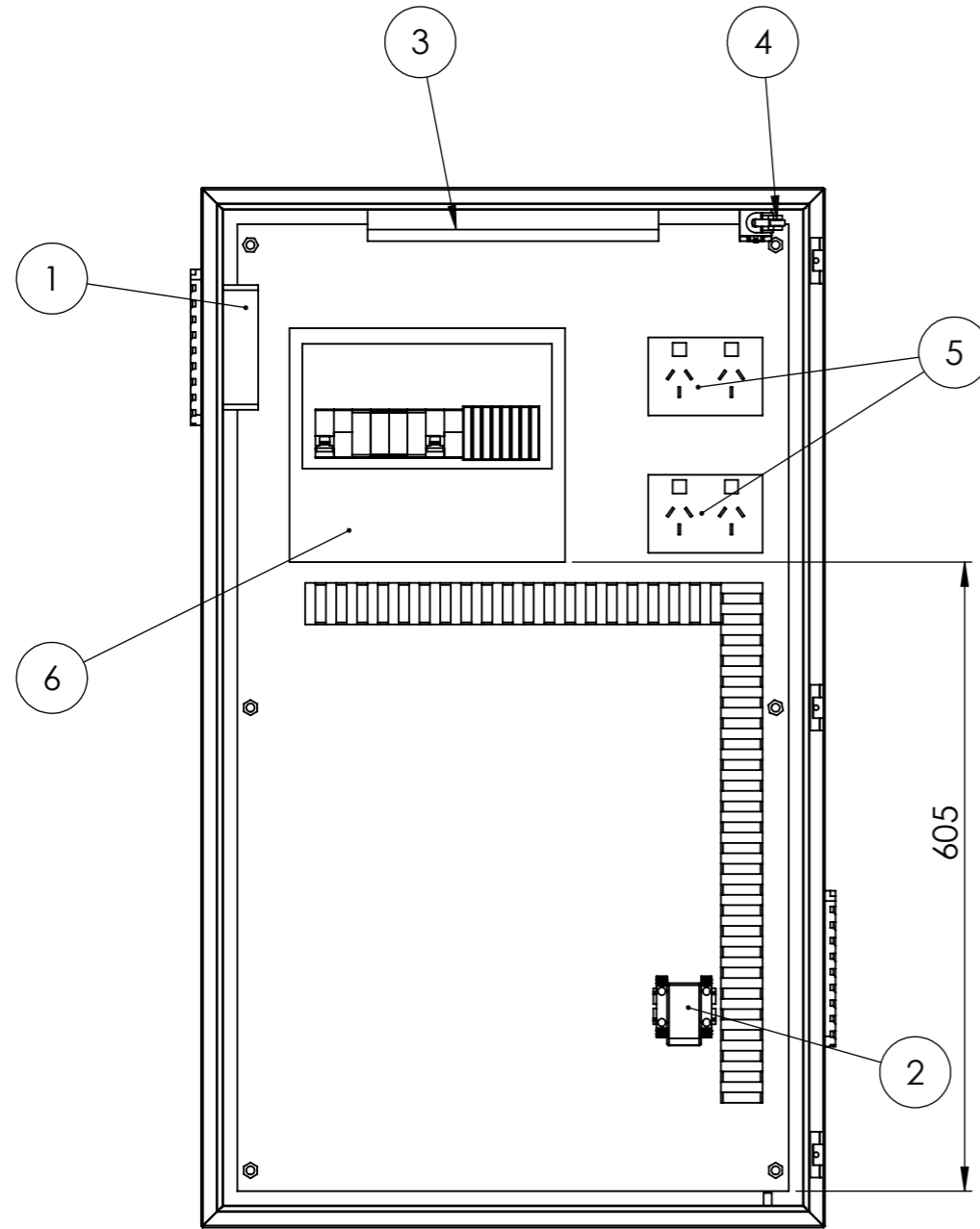
Sheet No.  
**1 of 4**

Sheet size  
**A3**

Drawing No.

**TMR-PME100603-S-W-S**

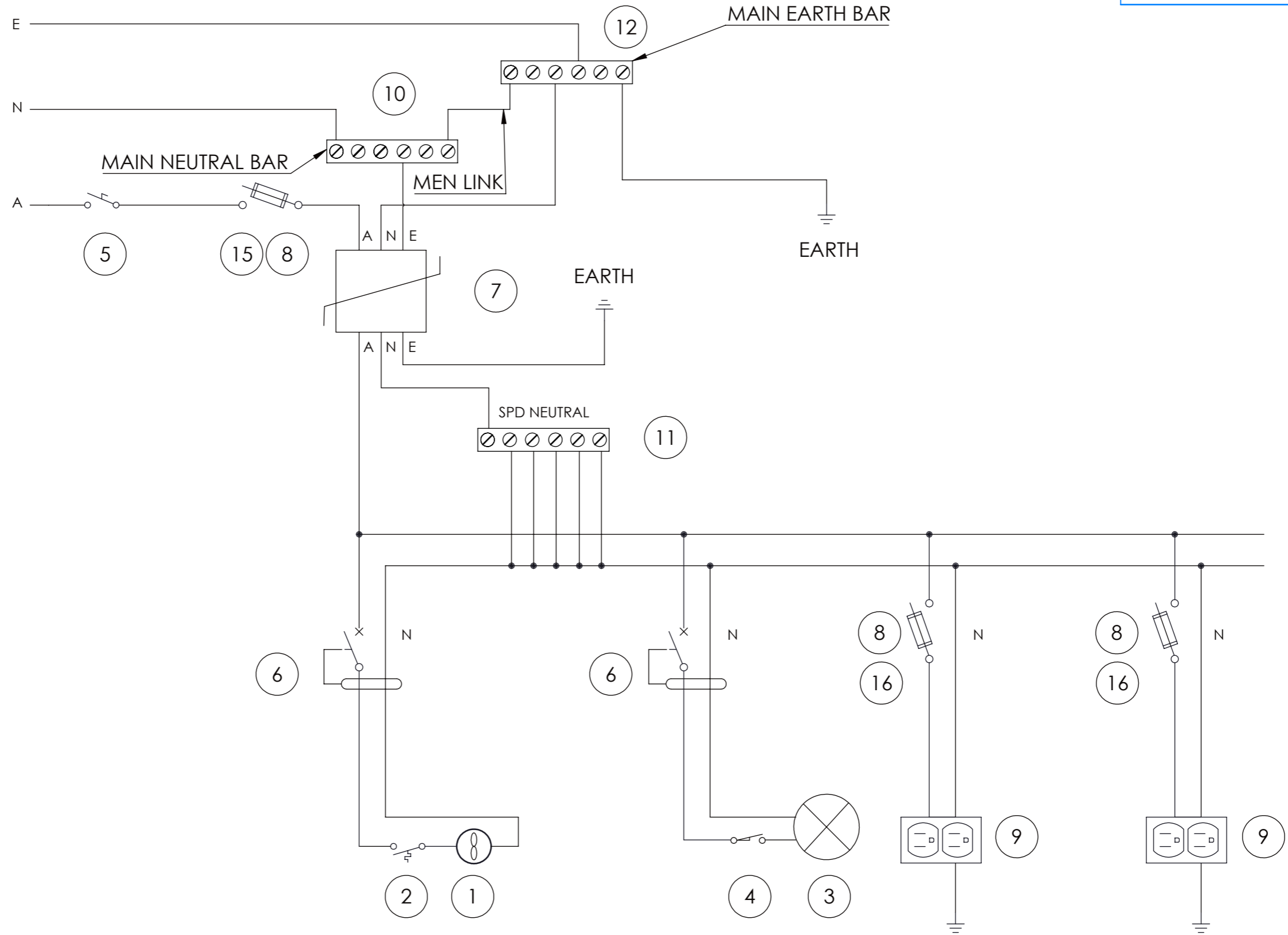
Drg Rev  
**3A**



FRONT VIEW

ITEM No.	DESCRIPTION	SUPPLIER	PART No.	QTY
1	FAN	LINKWELL	FK5522-230	1
2	THERMOSTAT	LEIPOLE	JWT-60-11F	1
3	LIGHT	SAL	SL9706/280TC	1
4	DOOR SWITCH	SCHNEIDER	XCK	1
5	GPO	CLIPSAL	2025-RCD30WE	2
6	12 POLE LOAD CENTRE	CLIPSAL	RMXE-1125	1

<b>UNLESS NOTED OTHERWISE:</b> 1. Dimensions in millimetres. 2. Deburr and break all sharp edges. Linear Dim's $\pm 0.5$ Hole Diameters $^{+0.1}_{-0.05}$ Angular Dim's $\pm 1^\circ$ All Bends $90^\circ \pm 0.5$		Logix Engineering Pty Ltd 28 Spine St, Sumner Park, QLD, 4074, Australia t: +61 434 034 703 w: www.logixeng.com.au e: tony@logixeng.com.au	Component Type <b>PME ENCLOSURE</b>	
Linear tolerance C Angular tolerance C Geometry tolerance L			Finish <b>N/4</b>	Material <b>1.5mm</b>
Date Printed <b>3/09/2021</b>		Date Created <b>23/03/2020</b>		Drawing Status <b>RELEASED FOR MANUFACTURE</b>
Checked <b>RJS</b>	Author <b>RJS</b>	Mass <b>Kgs.</b>	AS1100	Drawing Type <b>3A</b>
Scale <b>1:7</b>		Sheet No. <b>2 of 4</b>	Sheet size <b>A3</b>	Drawing No. <b>TMR-PME100603-S-W-S</b>




**UNLESS NOTED OTHERWISE:**  
 1. Dimensions in millimetres.  
 2. Deburr and break all sharp edges.  
 Linear Dim's  $\pm 0.5$  Hole Diameters  $^{+0.1}_{-0.05}$   
 Angular Dim's  $\pm 1^{\circ}$  All Bends  $90^{\circ} \pm 0.5$

Linear tolerance	C
Angular tolerance	C
Geometry tolerance	L
Date Printed	Date Created
3/09/2021	23/03/2020
Checked	Author
RJS	RJS
Mass	Kgs.

**LOGIX ENGINEERING**  
 Logix Engineering Pty Ltd  
 28 Spine St, Sumner Park,  
 QLD, 4074, Australia  
 t: +61 434 034 703  
 w: www.logixeng.com.au  
 e: tony@logixeng.com.au

Component Type	<b>PME ENCLOSURE</b>	
Finish	N/4	Material
		1.5mm
Component / Assembly Description		
<b>POLE MOUNT ENCLOSURE TMR-PME100603-S-W-S</b>		
Drawing Status	<b>RELEASED FOR MANUFACTURE</b>	
Drawing Type		
Scale	Sheet No.	Sheet size
1:7	3 of 4	A3
Drawing No.	Drg Rev	
TMR-PME100603-S-W-S	3A	

ITEM No	DESCRIPTION	SUPPLIER	PART No	QTY
1	FAN	LINKWELL	FK5522-230	1
2	THERMOSTAT	LEIPOLE	JWT-60-11F	1
3	LIGHT	SAL	SL9706/280TC	1
4	DOOR SWITCH	SCHNEIDER	XCK	1
5	MAIN SWITCH	SCHNEIDER	A9S66163	1
6	6A RCBO	SCHNEIDER	A9D61806	2
7	SURGE FILTER	NOVARIS	SFD1-20-50-275A	1
8	1P HRC FUSE	LEGRAND	O5808	3
9	RCD GPO	CLIPSAL	2025RCD30WE	2
10	NEUTRAL MAIN	CLIPSAL	N/A	1
11	NEUTRAL PROTECTED	CLIPSAL	N/A	1
12	EARTH	CLIPSAL	N/A	1
13	NEUTRAL FEET	CLIPSAL	N/A	4
14	12 POLE LOAD CENTRE	CLIPSAL	RMXE-1125	1
15	FUSE LINK	LEGRAND	13125	1
16	FUSE LINK	LEGRAND	13110	2

<b>UNLESS NOTED OTHERWISE:</b> 1. Dimensions in millimetres. 2. Deburr and break all sharp edges. Linear Dim's $\pm 0.5$ Hole Diameters $^{+0.1}_{-0.05}$ Angular Dim's $\pm 1^\circ$ All Bends $90^\circ \pm 0.5$		 Logix Engineering Pty Ltd 28 Spine St, Sumner Park, QLD, 4074, Australia t: +61 434 034 703 w: www.logixeng.com.au e: tony@logixeng.com.au	Component Type <b>PME ENCLOSURE</b>	
Linear tolerance C Angular tolerance C Geometry tolerance L			Finish <b>N/4</b>	Material <b>1.5mm</b>
Date Printed <b>3/09/2021</b>		Date Created <b>23/03/2020</b>		Drawing Status <b>RELEASED FOR MANUFACTURE</b>
Checked <b>RJS</b>	Author <b>RJS</b>	Mass <b>Kgs.</b>	Drawing No. <b>TMR-PME100603-S-W-S</b>	Drawing Type <b>3A</b>
Scale <b>1:7</b>		Sheet No. <b>4 of 4</b>	Sheet size <b>A3</b>	Drg Rev <b>3A</b>