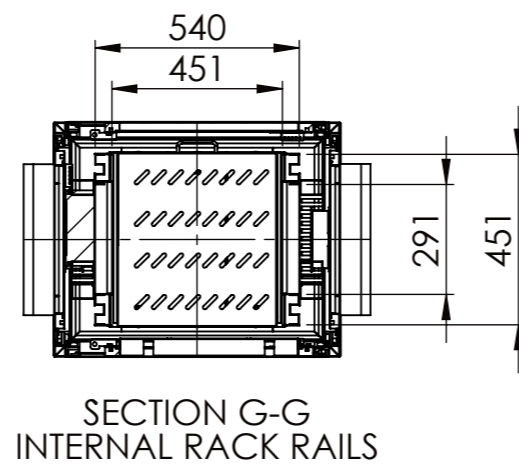
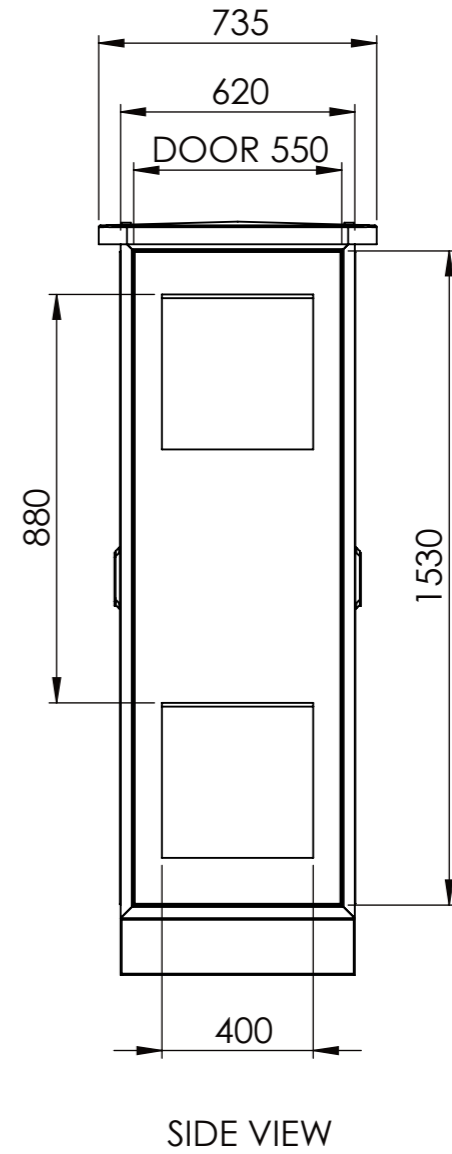
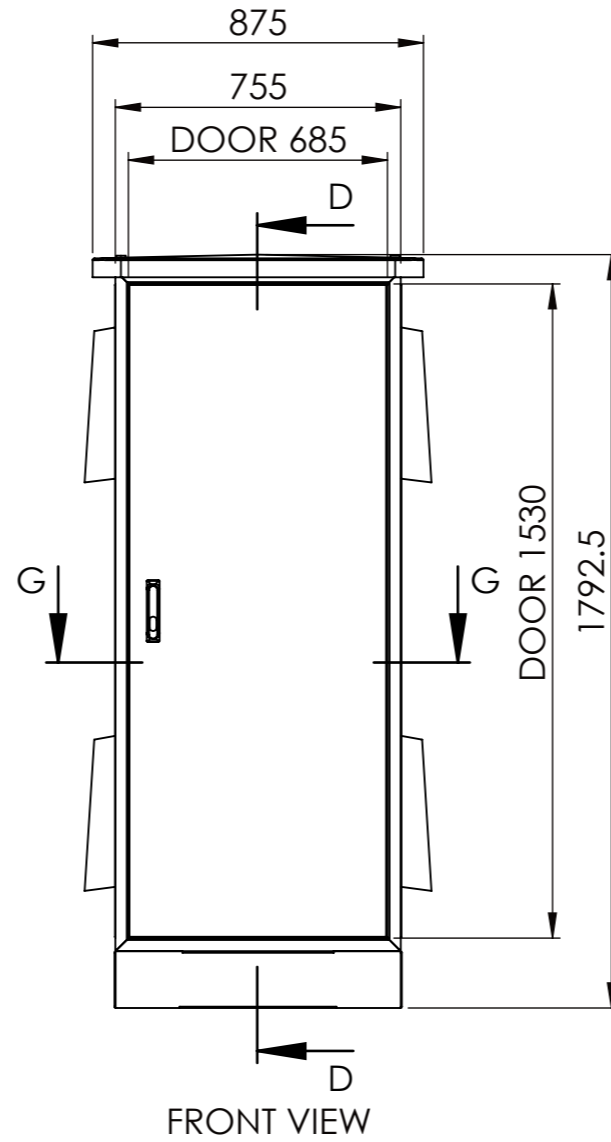
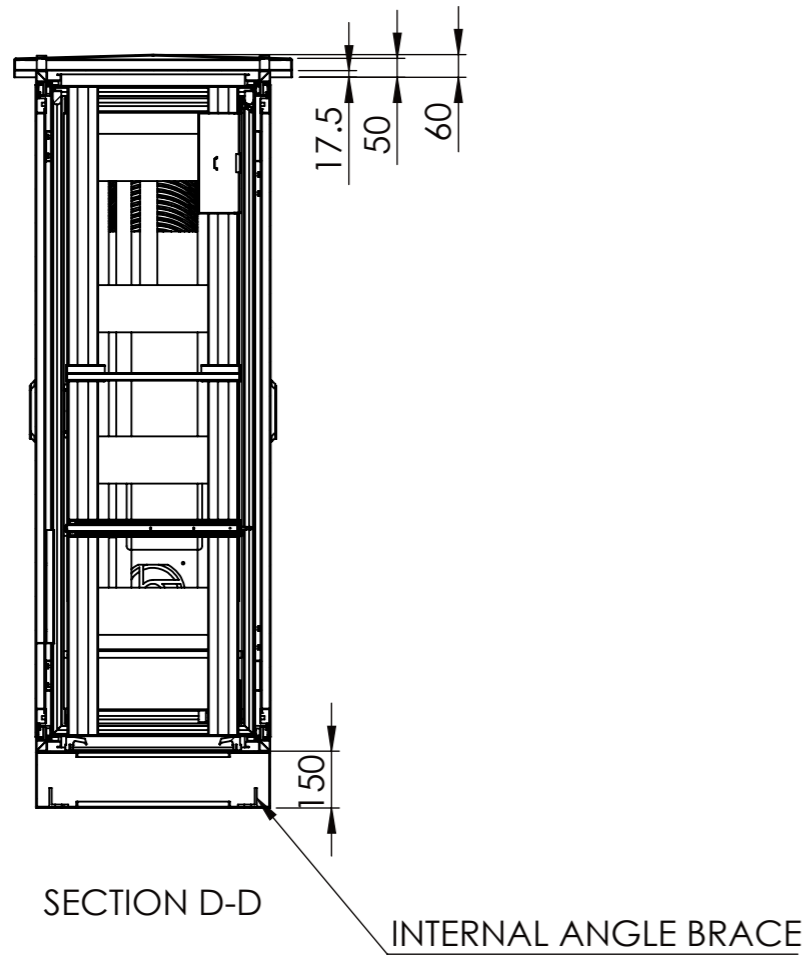


ITEM No	DESCRIPTION	SUPPLIER	PART No	QTY
1	CABINET	LOGIX	ITCS160706	1
2	LOADCENTRE 6U	LOGIX	ITCS-LC-6	1
3	SHELF	LOGIX	ITCS-SHF	1
4	TELESCOPIC SHELF	LOGIX	ITCS-SHT	1
5	FILTER	LEIPOLE	7727-300	2

EXPLODED VIEW

<b>UNLESS NOTED OTHERWISE:</b> 1. Dimensions in millimetres. 2. Deburr and break all sharp edges. Linear Dim's $\pm 0.5$ Hole Diameters $^{+0.1}_{-0.05}$ Angular Dim's $\pm 1^{\circ}$ All Bends $90^{\circ} \pm 0.5$		Logix Engineering Pty Ltd 28 Spine St, Sumner Park, QLD, 4074, Australia t: +61 434 034 703 w: www.logixeng.com.au e: tony@logixeng.com.au	Component Type <b>ITCS-ASSEMBLY</b>
Linear tolerance C Angular tolerance C Geometry tolerance L	Finish <b>POWDERCOATED</b> Material <b>ALUMINIUM</b> <b>2.5mm</b>		
Date Printed <b>20/09/2021</b> Date Created <b>29/10/2019</b>		Component / Assembly Description <b>VR-ITCS160706-ASSEMBLY</b>	
Checked <b>RJS</b> Author <b>RJS</b> Mass <b>N/A</b>		Drawing Status <b>RELEASED FOR MANUFACTURE</b>	Drawing Type <b>A</b>
Scale <b>1:20</b> Sheet No. <b>1 of 6</b> Sheet size <b>A3</b>		Drawing No. <b>VR-ITCS160706</b> Drg Rev <b>3A</b>	



UNLESS NOTED OTHERWISE:  
 1. Dimensions in millimetres.  
 2. Deburr and break all sharp edges.  
 Linear Dim's  $\pm 0.5$  Hole Diameters  $^{+0.1}_{-0.05}$   
 Angular Dim's  $\pm 1^\circ$  All Bends  $90^\circ \pm 0.5$



Logix Engineering Pty Ltd  
 28 Spine St, Sumner Park,  
 QLD, 4074, Australia  
 t: +61 434 034 703  
 w: www.logixeng.com.au  
 e: tony@logixeng.com.au

Component Type	<b>ITCS-ASSEMBLY</b>
Finish	<b>POWDERCOATED</b>
Material	<b>ALUMINIUM 2.5mm</b>

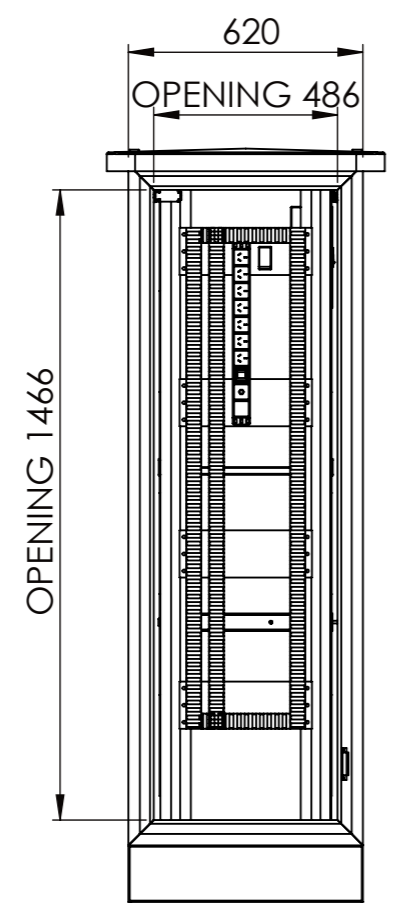
Linear tolerance	C
Angular tolerance	C
Geometry tolerance	L

Component / Assembly Description  
**VR-ITCS160706 ASSEMBLY**

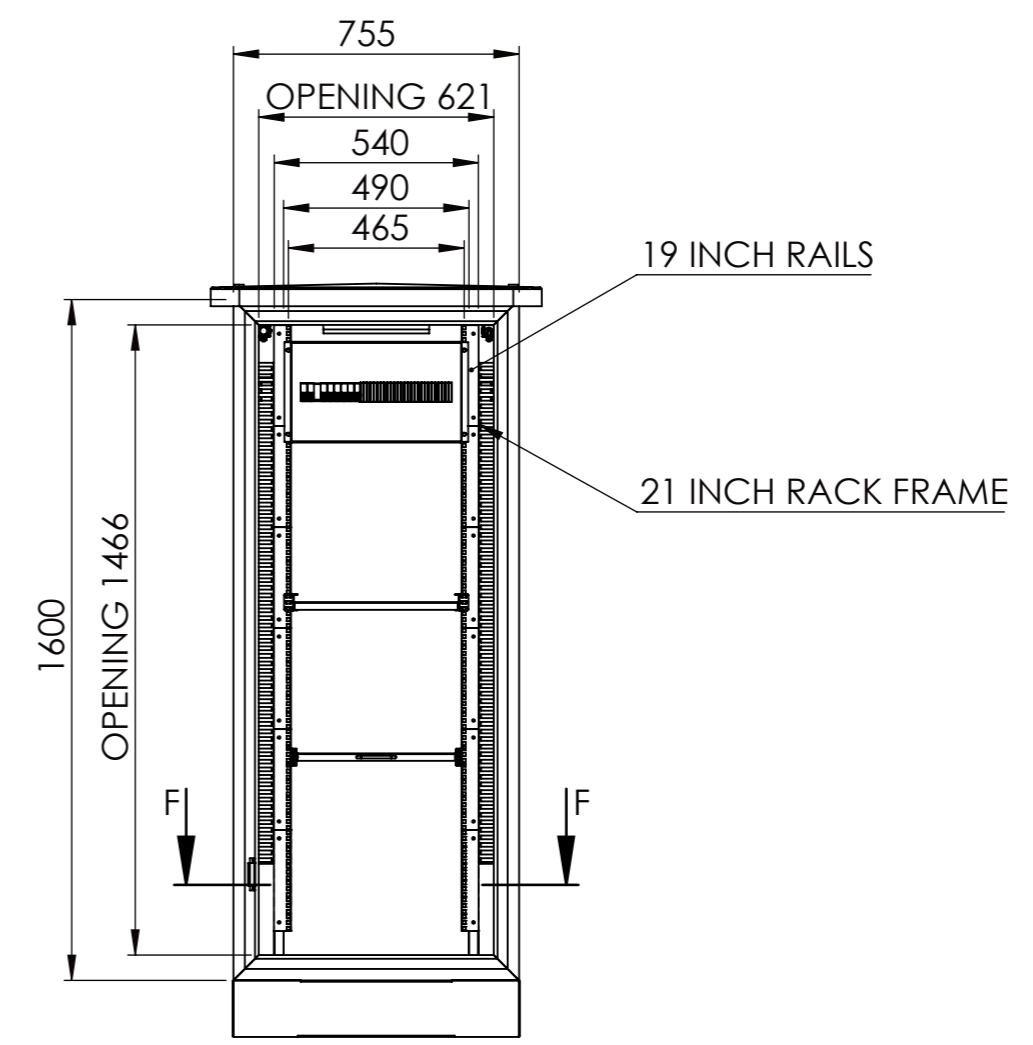
Date Printed	20/09/2021	Date Created	29/10/2019
Checked	RJS	Author	RJS
Mass	N/A		



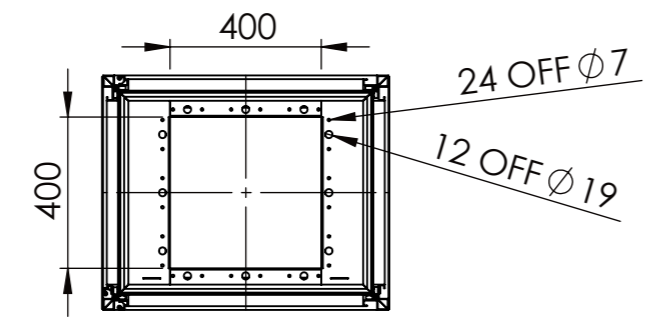
Drawing Status	<b>RELEASED FOR MANUFACTURE</b>			Drawing Type	<b>A</b>	
Scale	1:20	Sheet No.	2 of 6	Sheet size	A3	
Drawing No.	<b>VR-ITCS160706</b>				Drg Rev	<b>3A</b>



SIDE VIEW

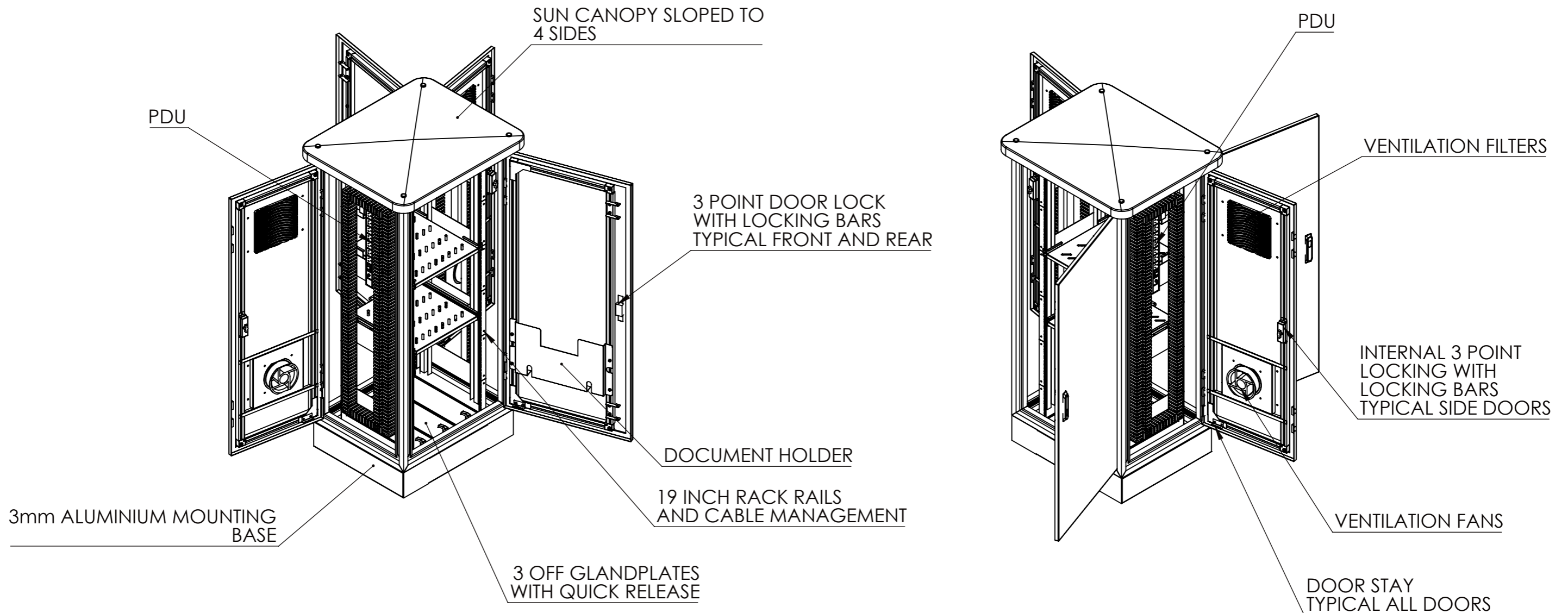


FRONT VIEW

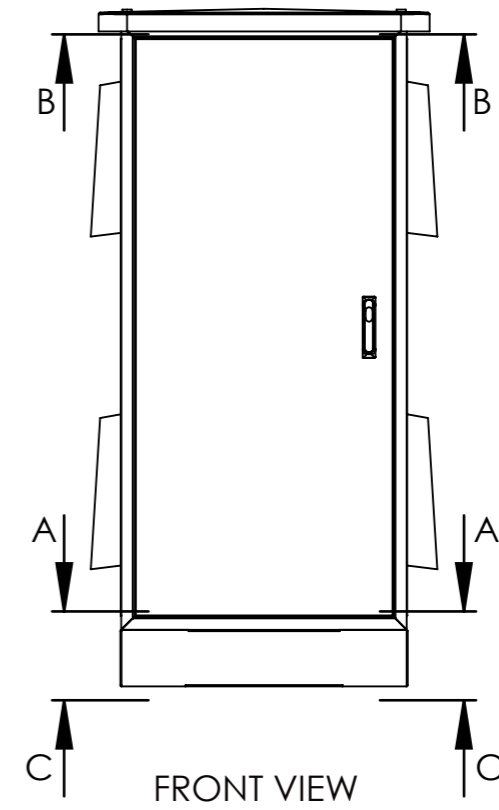
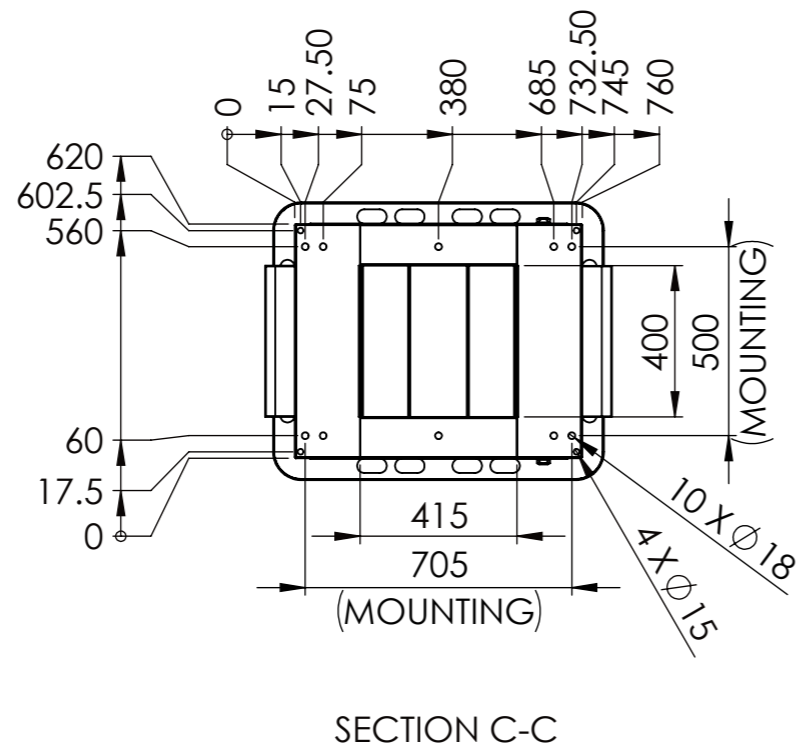
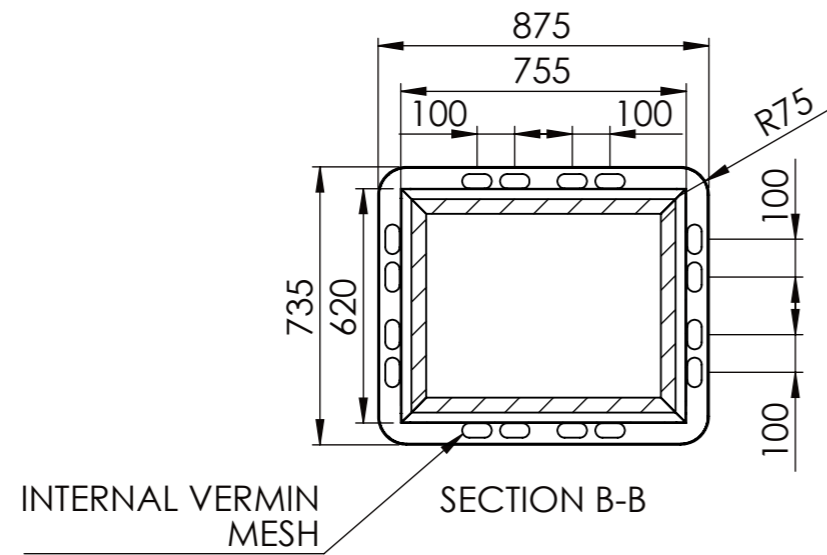
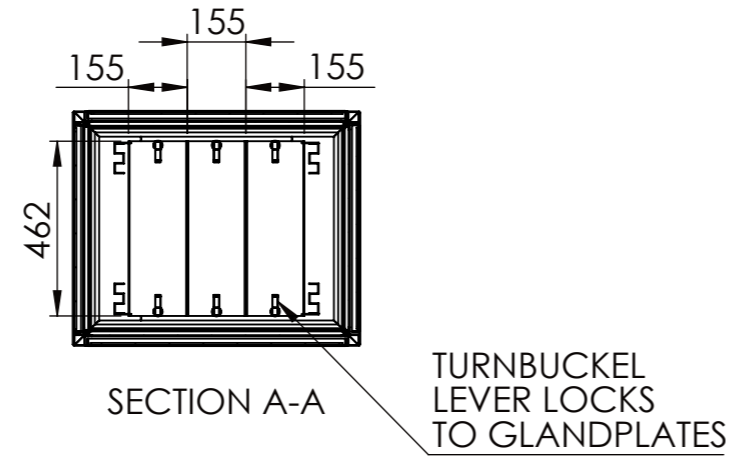


SECTION F-F  
INSIDE OPENING WITH GLANDPLATES  
REMOVED

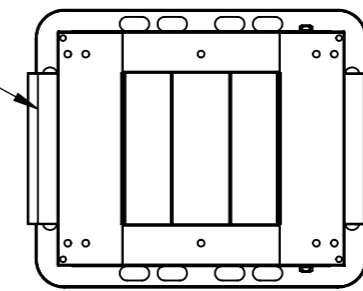
<b>UNLESS NOTED OTHERWISE:</b> 1. Dimensions in millimetres. 2. Deburr and break all sharp edges.		<b>LOGIX ENGINEERING</b> Logix Engineering Pty Ltd 28 Spine St, Sumner Park, QLD, 4074, Australia t: +61 434 034 703 w: www.logixeng.com.au e: tony@logixeng.com.au	Component Type <b>ITCS-ASSEMBLY</b>
Linear Dim's $\pm 0.5$ Angular Dim's $\pm 1^\circ$	Hole Diameters $^{+0.1}_{-0.05}$ All Bends $90^\circ \pm 0.5$		Finish <b>POWDERCOATED</b> Material <b>ALUMINIUM</b> <b>2.5mm</b>
Linear tolerance C Angular tolerance C Geometry tolerance L	Component / Assembly Description <b>VR-ITCS160706 ASSEMBLY</b>		
Date Printed <b>20/09/2021</b> Checked <b>RJS</b>	Date Created <b>29/10/2019</b> Author <b>RJS</b>	Drawing Status <b>RELEASED FOR MANUFACTURE</b>	Drawing Type <b>A</b>
Mass <b>N/A</b>	Scale <b>1:20</b>	Sheet No. <b>3 of 6</b> Sheet size <b>A3</b>	Drawing No. <b>VR-ITCS160706</b> Drg Rev <b>3A</b>



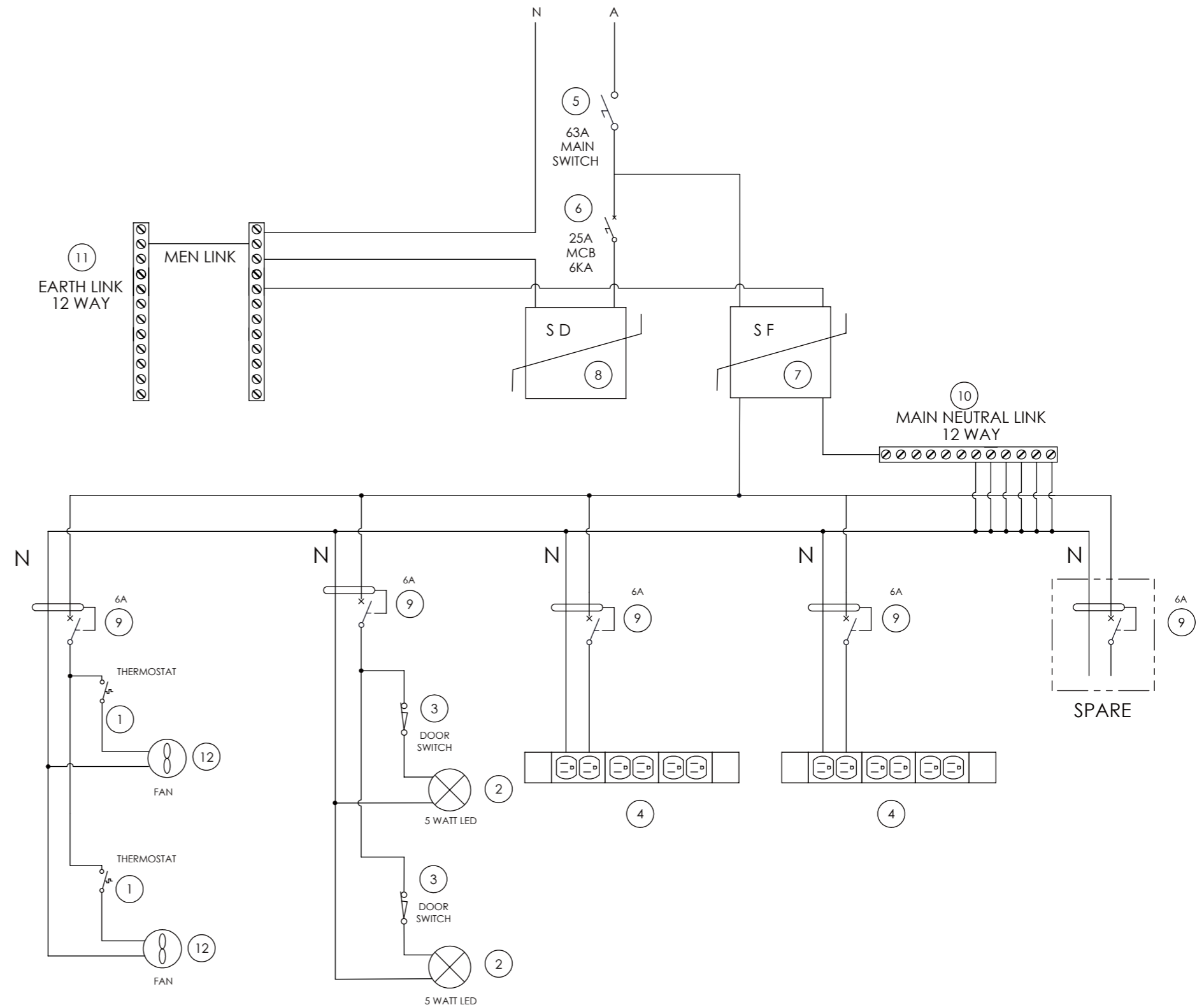
<b>UNLESS NOTED OTHERWISE:</b> 1. Dimensions in millimetres. 2. Deburr and break all sharp edges. Linear Dim's $\pm 0.5$ Hole Diameters $^{+0.1}_{-0.05}$ Angular Dim's $\pm 1^\circ$ All Bends $90^\circ \pm 0.5$			Logix Engineering Pty Ltd 28 Spine St, Sumner Park, QLD, 4074, Australia t: +61 434 034 703 w: www.logixeng.com.au e: tony@logixeng.com.au		Component Type <b>ITCS-ASSEMBLY</b>
Linear tolerance C Angular tolerance C Geometry tolerance L			Finish <b>POWDERCOATED</b> Material <b>ALUMINIUM 2.5mm</b>		
Date Printed <b>20/09/2021</b> Date Created <b>29/10/2019</b>			Component / Assembly Description <b>VR-ITCS160706 ASSEMBLY</b>		
Checked <b>RJS</b> Author <b>RJS</b> Mass <b>N/A</b>			Drawing Status <b>RELEASED FOR MANUFACTURE</b>		
			Scale <b>1:20</b> Sheet No. <b>4 of 6</b> Sheet size <b>A3</b>	Drawing No. <b>VR-ITCS160706</b> Drawing Type <b>A</b> Drg Rev <b>3A</b>	



VERMIN MESH TO UNDERSIDE OF ALL VENT COVERS



<b>UNLESS NOTED OTHERWISE:</b> 1. Dimensions in millimetres. 2. Deburr and break all sharp edges. Linear Dim's $\pm 0.5$ Hole Diameters $^{+0.1}_{-0.05}$ Angular Dim's $\pm 1^\circ$ All Bends $90^\circ \pm 0.5$			<b>LOGIX ENGINEERING</b> Logix Engineering Pty Ltd 28 Spine St, Sumner Park, QLD, 4074, Australia t: +61 434 034 703 w: www.logixeng.com.au e: tony@logixeng.com.au		Component Type <b>ITCS-ASSEMBLY</b> Finish <b>POWDERCOATED</b> Material <b>ALUMINIUM</b> <b>2.5mm</b>
Linear tolerance C Angular tolerance C Geometry tolerance L			Component / Assembly Description <b>VR-ITCS160706 ASSEMBLY</b>		
Date Printed <b>20/09/2021</b>		Date Created <b>29/10/2019</b>		Drawing Status <b>RELEASED FOR MANUFACTURE</b>	
Checked <b>RJS</b>	Author <b>RJS</b>	Mass <b>N/A</b>	Scale <b>1:20</b>	Sheet No. <b>5 of 6</b>	Sheet size <b>A3</b>
Drawing No. <b>VR-ITCS160706</b>				Drawing Type <b>A</b> Drg Rev <b>3A</b>	



ITEM No	DESCRIPTION	SUPPLIER	PART No	QTY
1	THERMOSTAT	LEIPOLE	JWT-60-11F	2
2	LIGHT	SAL	SL9706/280TC	2
3	DOOR SWITCH	SCHNEIDER	XCK	2
4	PDU	TURNLINK	ITCS-PDU-06	2
5	MAIN SWITCH	SCHNEIDER	A9S66163	1
6	25AMCB	SCHNEIDER	A9F44125	1
7	SURGE FILTER	NOVARIS	SFD1-20-50-275A	1
8	SURGE DIVERTER	NOVARIS	SDD1-100-275-A	1
9	6A RCBO	SCHNEIDER	A9D61806	5
10	NEUTRAL	NETEC	NE32F012X	1
11	EARTH	NETEC	NE32F012X	1
12	FAN	SUNON	A2175-HBL	2

**UNLESS NOTED OTHERWISE:**  
 1. Dimensions in millimetres.  
 2. Deburr and break all sharp edges.

Linear Dim's  $\pm 0.5$  Hole Diameters  $^{+0.1}_{-0.05}$   
 Angular Dim's  $\pm 1^\circ$  All Bends  $90^\circ \pm 0.5$

Linear tolerance	C
Angular tolerance	C
Geometry tolerance	L

Date Printed: **20/09/2021** Date Created: **29/10/2019**

Checked	Author	Mass
RJS	RJS	N/A

	Logix Engineering Pty Ltd 28 Spine St, Sumner Park, QLD, 4074, Australia t: +61 434 034 703 w: www.logixeng.com.au e: tony@logixeng.com.au	Component Type <b>ITCS-ASSEMBLY</b>
	Finish <b>POWDERCOATED</b>	Material <b>ALUMINIUM</b> 2.5mm
Component / Assembly Description <b>VR-ITCS160706 ASSEMBLY</b>		
Drawing Status <b>RELEASED FOR MANUFACTURE</b>	Drawing No. <b>VR-ITCS160706</b>	Drawing Type <b>A</b>
Scale <b>1:10</b>	Sheet No. <b>6 of 6</b>	Sheet size <b>A3</b>
Drg Rev <b>3A</b>		Drg Rev <b>3A</b>