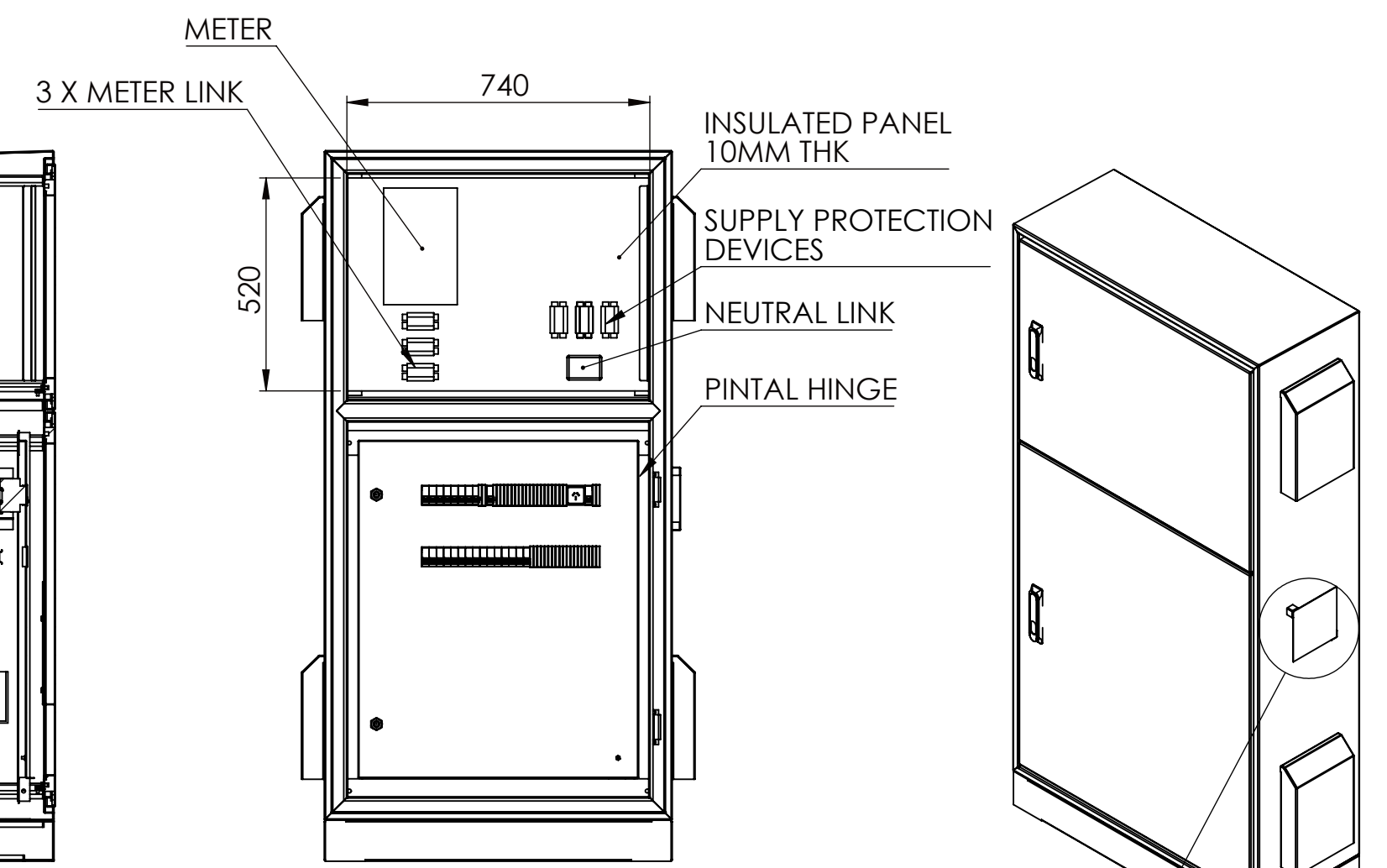


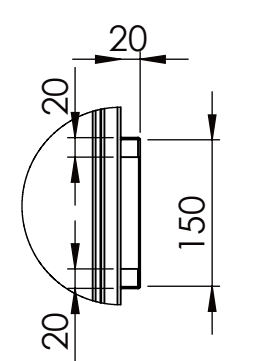
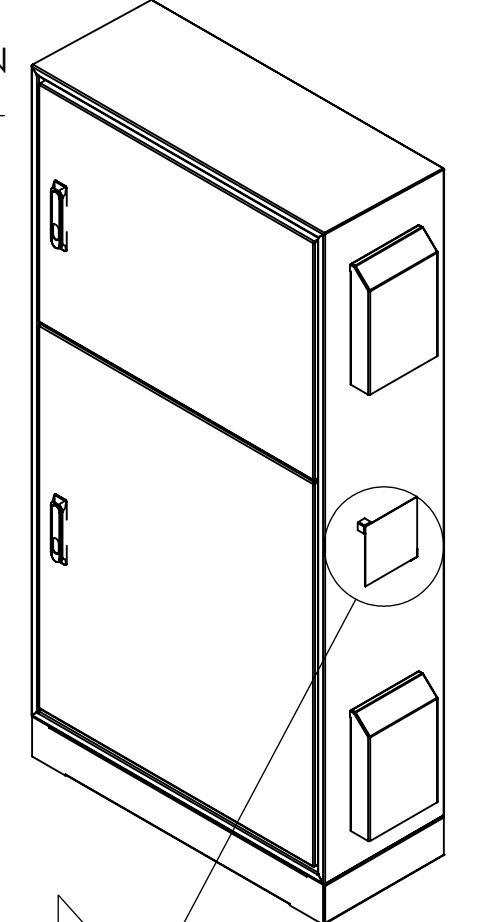
SECTION A-A

FRONT VIEW

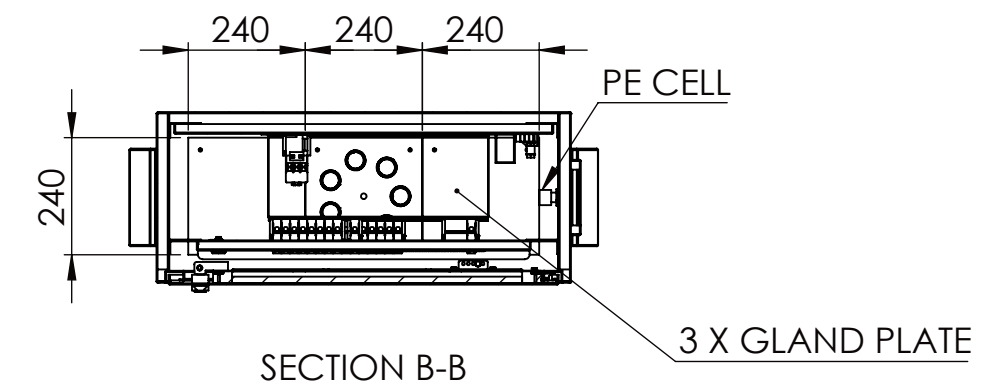
SECTION C-C



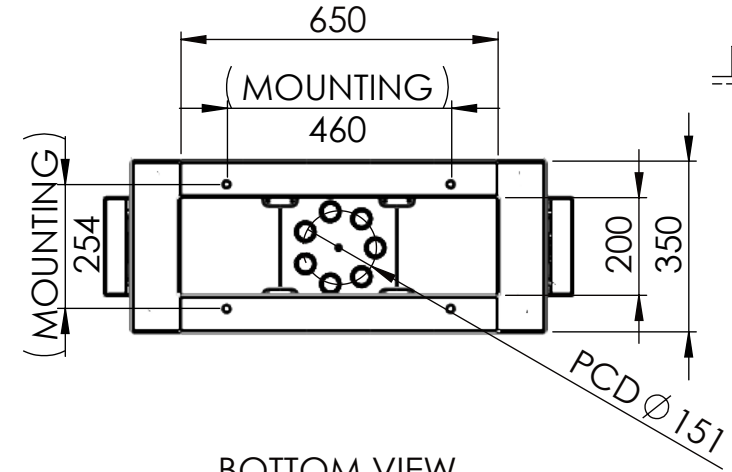
FRONT VIEW DOOR REMOVED



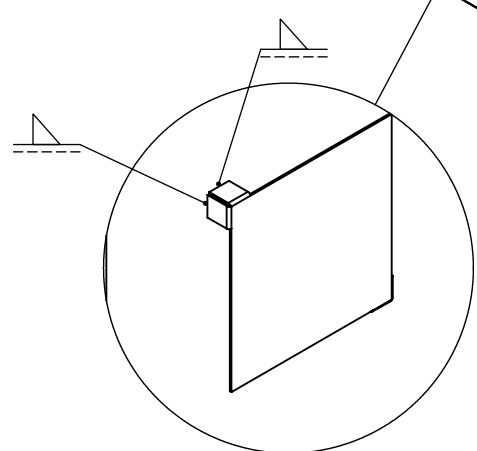
DETAIL O LIGHT DEFLECTOR



SECTION B-B

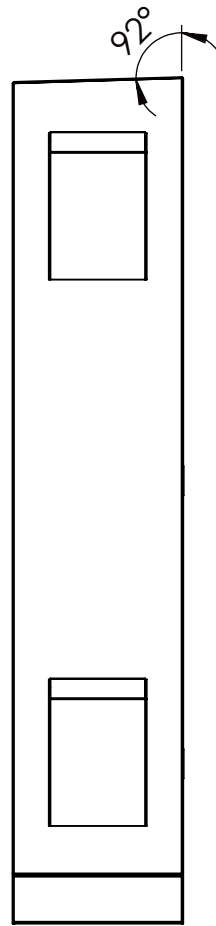


BOTTOM VIEW

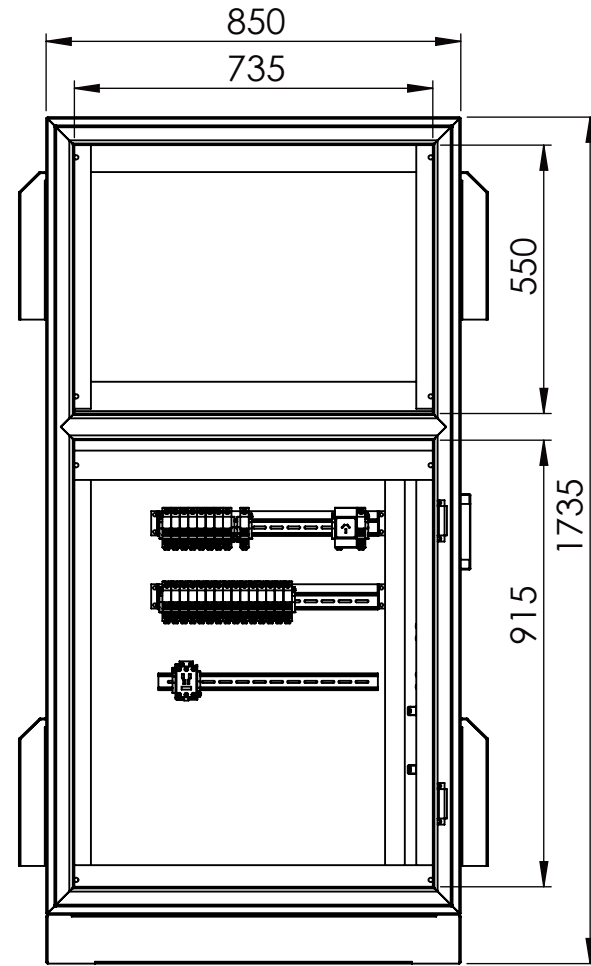


DETAIL N LIGHT DEFLECTOR WELD DETAIL

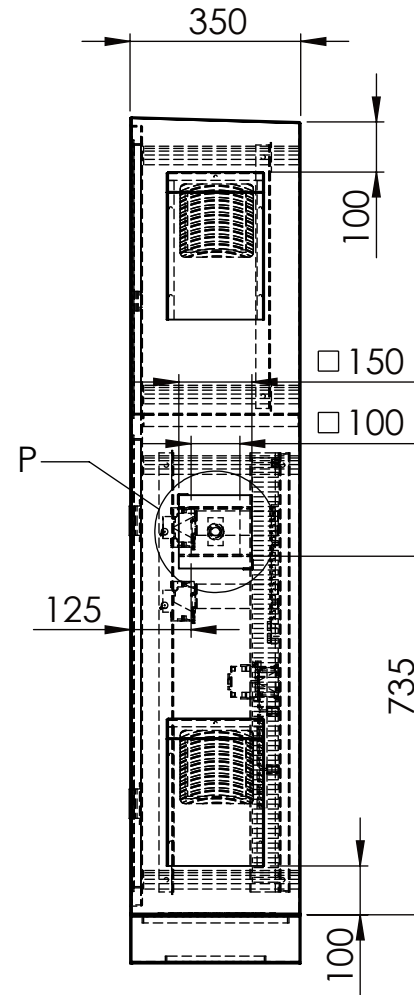
UNLESS NOTED OTHERWISE: 1. Dimensions in millimetres. 2. Deburr and break all sharp edges. Linear Dim's ± 0.5 Hole Diameters $^{+0.1}_{-0.05}$ Angular Dim's $\pm 1^\circ$ All Bends $90^\circ \pm 0.5$		Logix Engineering Pty Ltd 28 Spine St, Sumner Park, QLD, 4074, Australia t: +61 434 034 703 w: www.logixeng.com.au e: tony@logixeng.com.au	Component Type VR-EDC-T1	
Linear tolerance C Angular tolerance C Geometry tolerance L			Finish POWDERCOATED	Material ALUMINIUM 2.5 mm
Date Printed 29/09/2021		Date Created 12/02/2020		Drawing Status RELEASED FOR MANUFACTURE
Checked RJS	Author RJS	Mass Kgs.	Drawing No. VR-EDC-T1	
Scale 1:15.5		Sheet No. 1 of 4	Sheet size A3	Drg Rev 2A



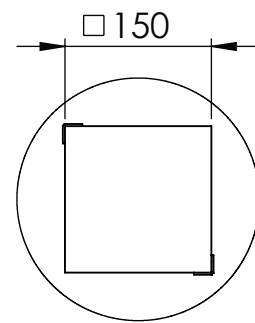
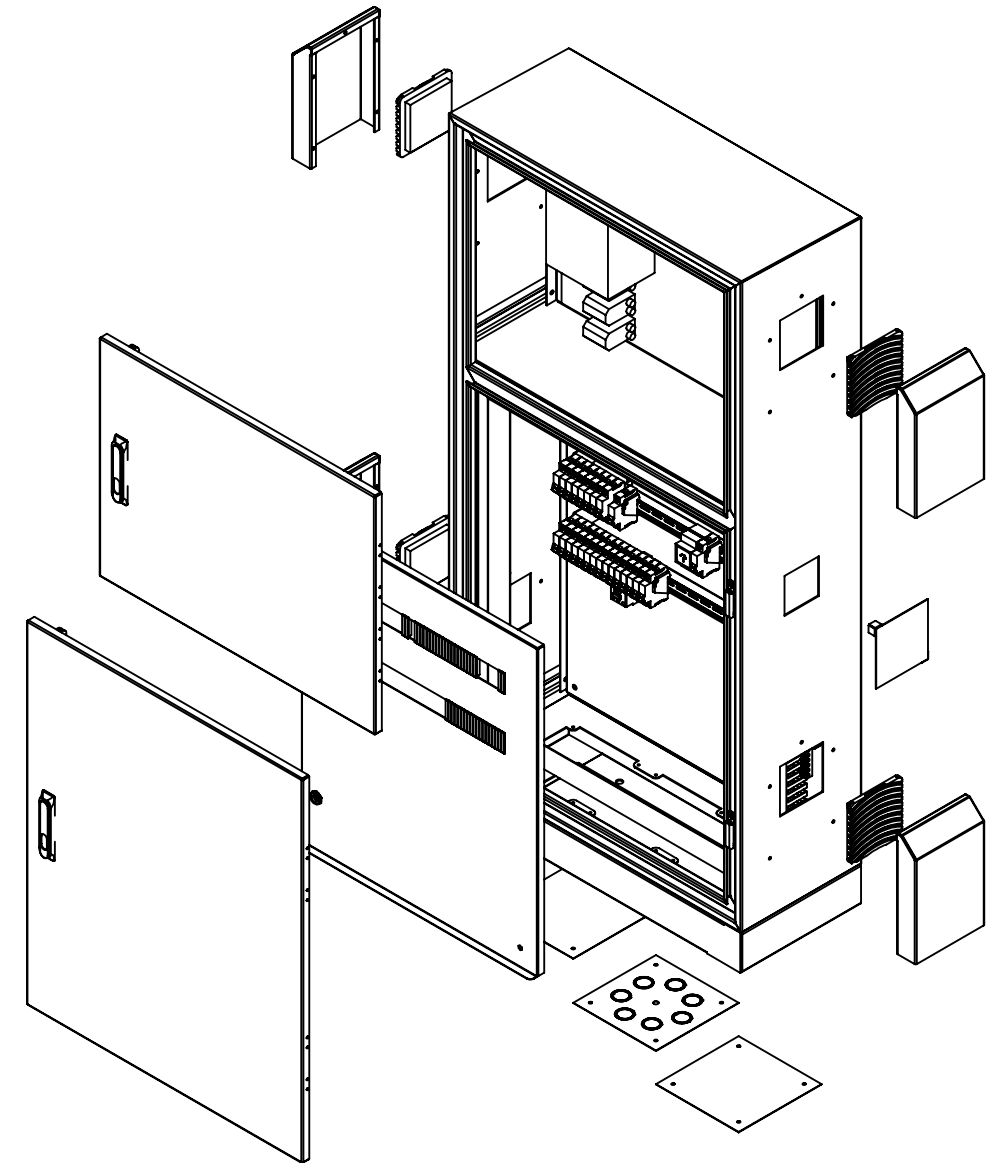
SIDE VIEW



FRONT VIEW
DOOR REMOVED



SIDE VIEW



DETAIL P
LIGHT DEFLECTOR

UNLESS NOTED OTHERWISE:
1. Dimensions in millimetres.
2. Deburr and break all sharp edges.
Linear Dim's ± 0.5 Hole Diameters $^{+0.1}_{-0.05}$
Angular Dim's $\pm 1^\circ$ All Bends $90^\circ \pm 0.5$



Logix Engineering Pty Ltd
28 Spine St, Sumner Park,
QLD, 4074, Australia
t: +61 434 034 703
w: www.logixeng.com.au
e: tony@logixeng.com.au

Component Type
VR-EDC-T1

Finish **POWDERCOATED**

Material **ALUMINIUM**
2.5 mm

Linear tolerance C
Angular tolerance C
Geometry tolerance L

Component / Assembly Description
DISTRIBUTION CABINET TYPE 1

Date Printed **29/09/2021** Date Created **12/02/2020**



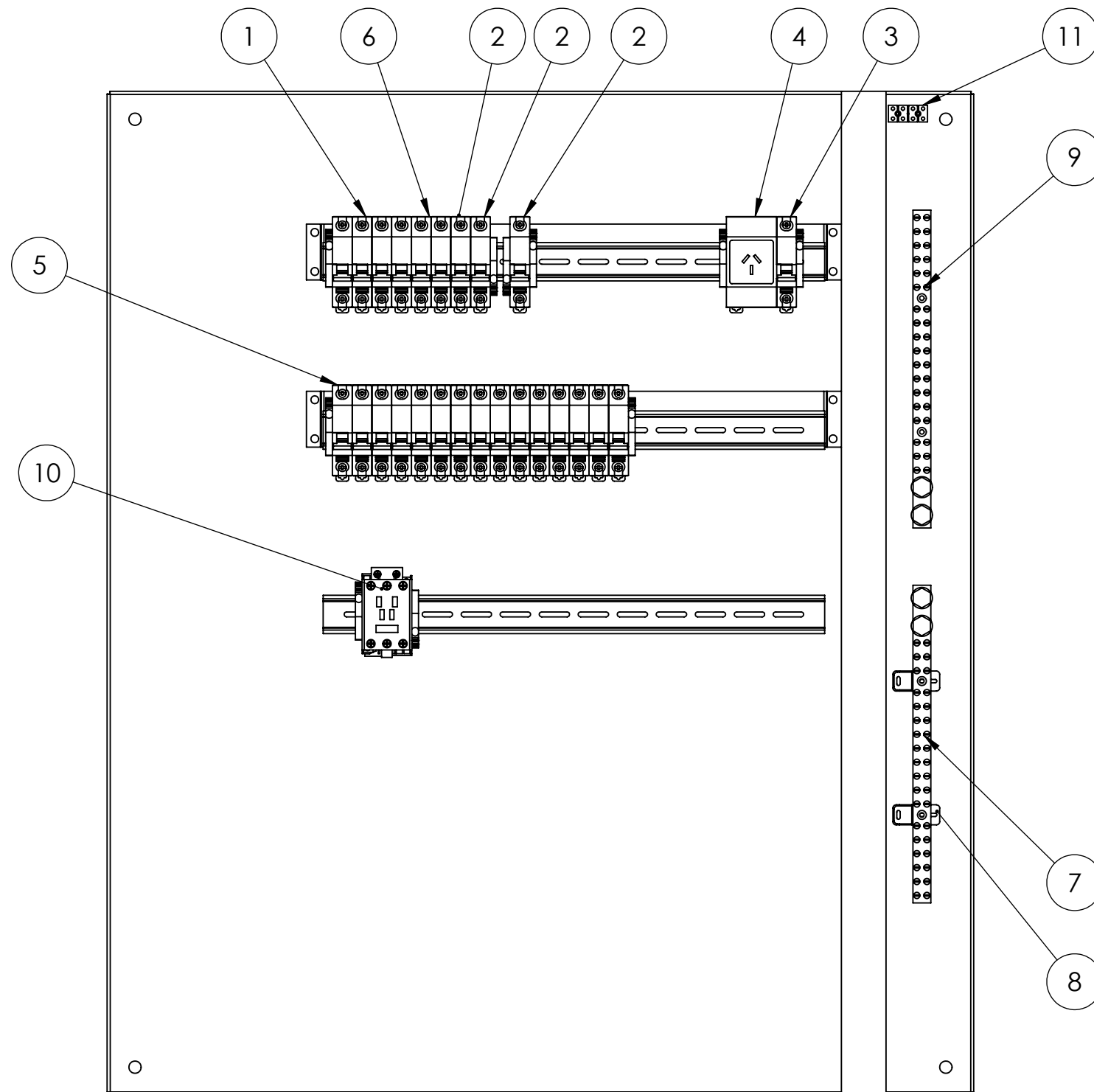
Drawing Status **RELEASED FOR MANUFACTURE**

Drawing Type
A

Checked **RJS** Author **RJS** Mass **Kgs.**

Scale **1:15.5** Sheet No. **2 of 4** Sheet size **A3** Drawing No.

VR-EDC-T1 **2A**



ITEM No	DESCRIPTION	SUPPLIER	PART No	QTY
1	MAIN SWITCH 63A 3P	SCHNEIDER	A9F44363	1
2	RCBO 6A 1P	SCHNEIDER	A9D61806	3
3	BYPASS SWITCH	LEGRAND	04382	1
4	GPO	HAGER	SNO10DA	1
5	MCB 16A 3P	SCHNEIDER	A9F44316	5
6	LIGHTING ISOLATOR	SCHNEIDER	A9F44363	1
7	NEUTRAL	NETEC	NE250A-M018X	1
8	NEURAL FEET	NETEC	INSF-M5S	2
9	EARTH	NETEC	NE250A-M018X	1
10	CONTACTOR	S+S	CA7-37-00	1
11	TERMINAL BLOCK	WEIDMULLER	MK3/12 0243520000	1
12	BUSBAR	SCHNEIDER	A9XPH324	1
13	BUSBAR	SCHNEIDER	A9XPH312	1

UNLESS NOTED OTHERWISE:

- 1. Dimensions in millimetres.
 - 2. Deburr and break all sharp edges.
- Linear Dim's ± 0.5 Hole Diameters $^{+0.1}_{-0.05}$
 Angular Dim's $\pm 1^{\circ}$ All Bends $90^{\circ} \pm 0.5$

Linear tolerance	C
Angular tolerance	C
Geometry tolerance	L

Date Printed: 29/09/2021 Date Created: 12/02/2020

Checked: RJS Author: RJS Mass: Kgs.



Logix Engineering Pty Ltd
 28 Spine St, Sumner Park,
 QLD, 4074, Australia
 t: +61 434 034 703
 w: www.logixeng.com.au
 e: tony@logixeng.com.au

Component Type
VR-EDC-T1

Finish
POWDERCOATED

Material
**ALUMINIUM
 2.5 mm**

Component / Assembly Description
DISTRIBUTION CABINET TYPE 1

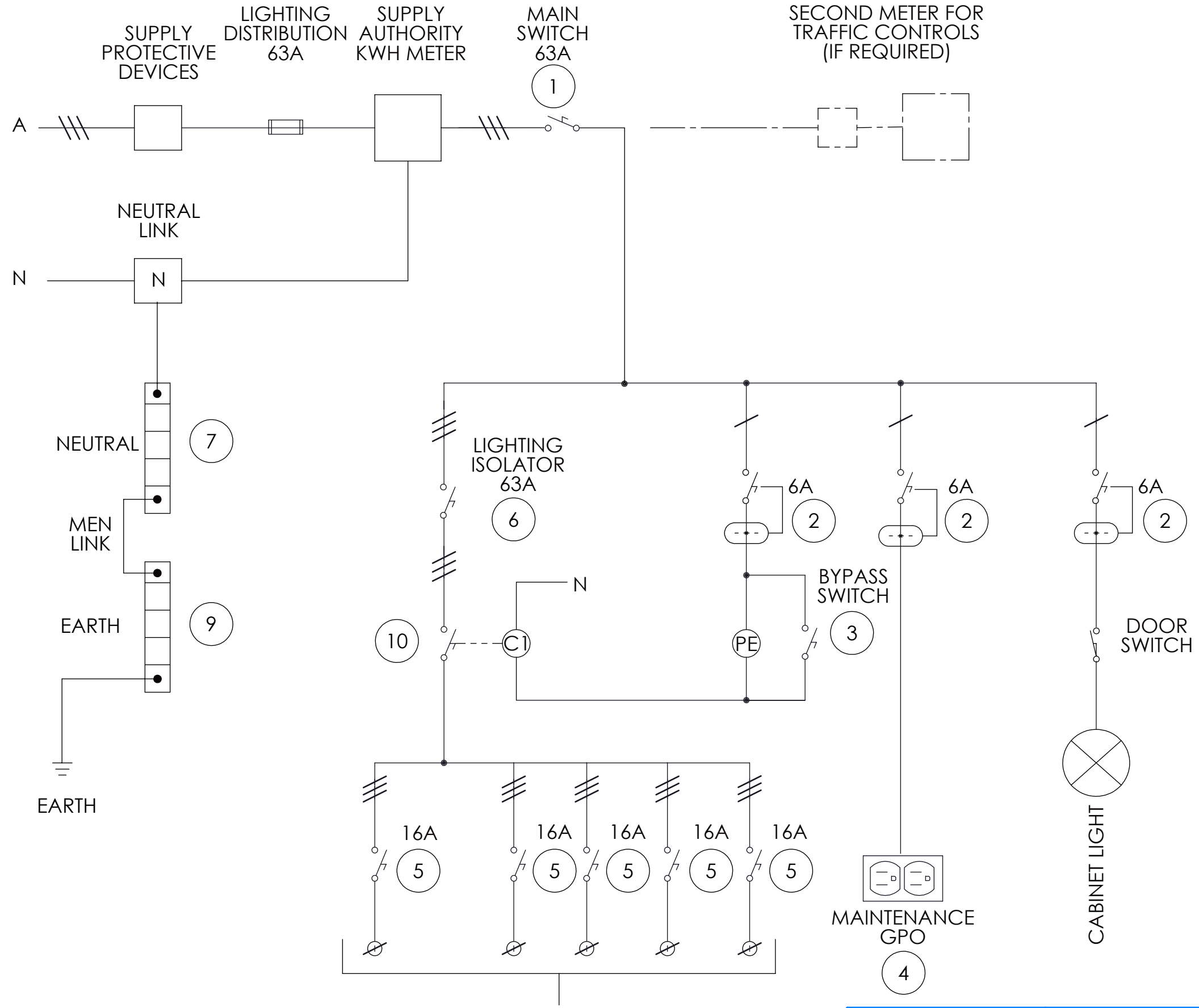


Drawing Status
RELEASED FOR MANUFACTURE

Scale: 1:5 Sheet No: 3 of 4 Sheet size: A3 Drawing No.

Drawing Type
A
 Drg Rev
2A

VR-EDC-T1

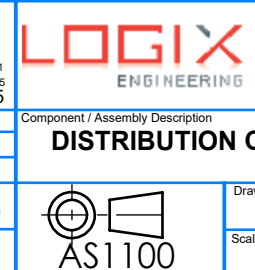


STREET LIGHTING CIRCUITS
QTY AS REQ

UNLESS NOTED OTHERWISE:
 1. Dimensions in millimetres.
 2. Deburr and break all sharp edges.
 Linear Dim's ± 0.5 Hole Diameters $^{+0.1}_{-0.05}$
 Angular Dim's $\pm 1^\circ$ All Bends $90^\circ \pm 0.5$

Linear tolerance	C
Angular tolerance	C
Geometry tolerance	L

Date Printed **29/09/2021** Date Created **12/02/2020**
 Checked **RJS** Author **RJS** Mass **Kgs.**



Logix Engineering Pty Ltd
 28 Spine St, Sumner Park,
 QLD, 4074, Australia
 t: +61 434 034 703
 w: www.logixeng.com.au
 e: tony@logixeng.com.au

Component Type	VR-EDC-T1	
Finish	POWDERCOATED	Material ALUMINIUM 2.5 mm
Component / Assembly Description DISTRIBUTION CABINET TYPE 1 LINE DIAGRAM		
Drawing Status	RELEASED FOR MANUFACTURE	
Scale	Sheet No. 4 of 4	Sheet size A3
Drawing No.	VR-EDC-T1	
Drawing Type	A	
Drg Rev	2A	