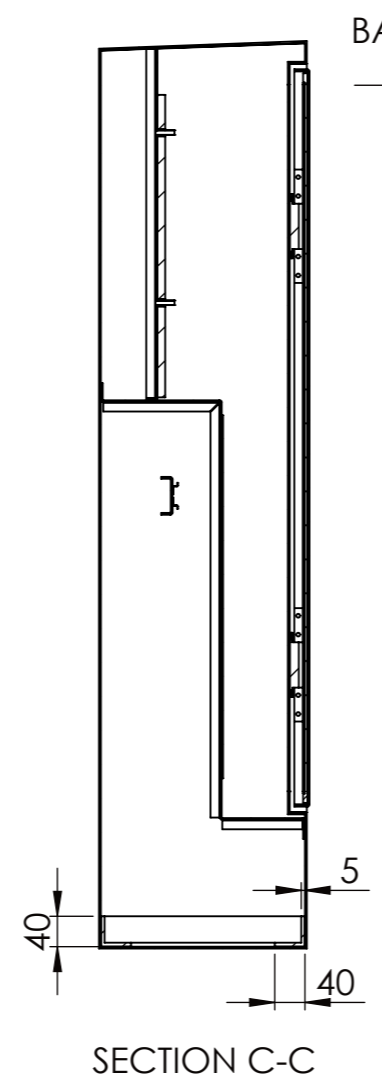
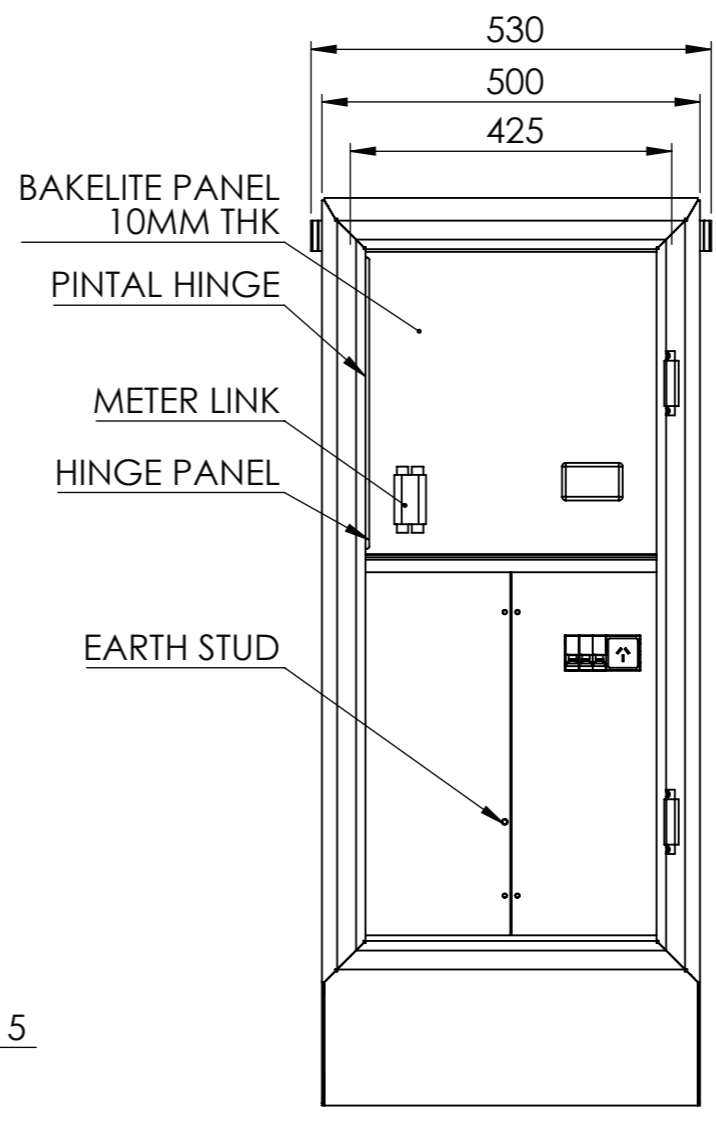


SECTION A-A

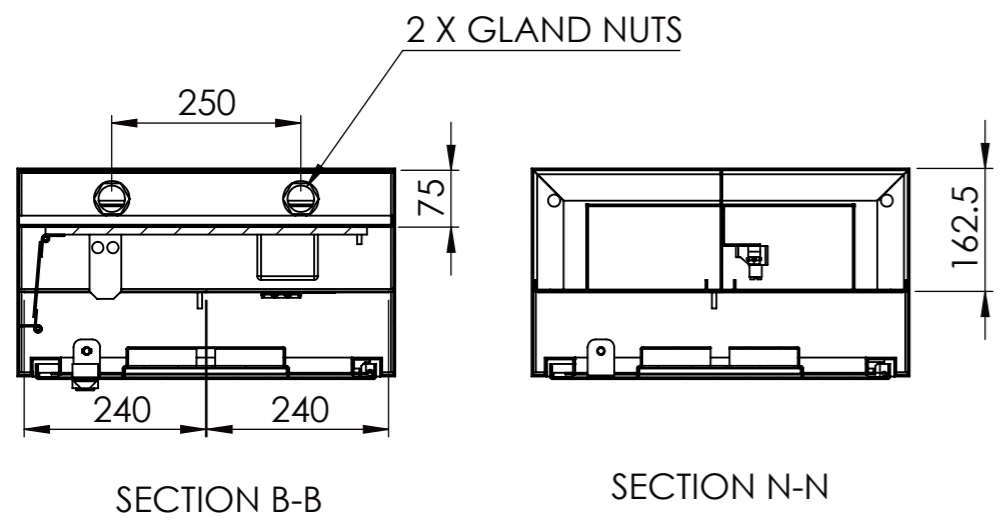
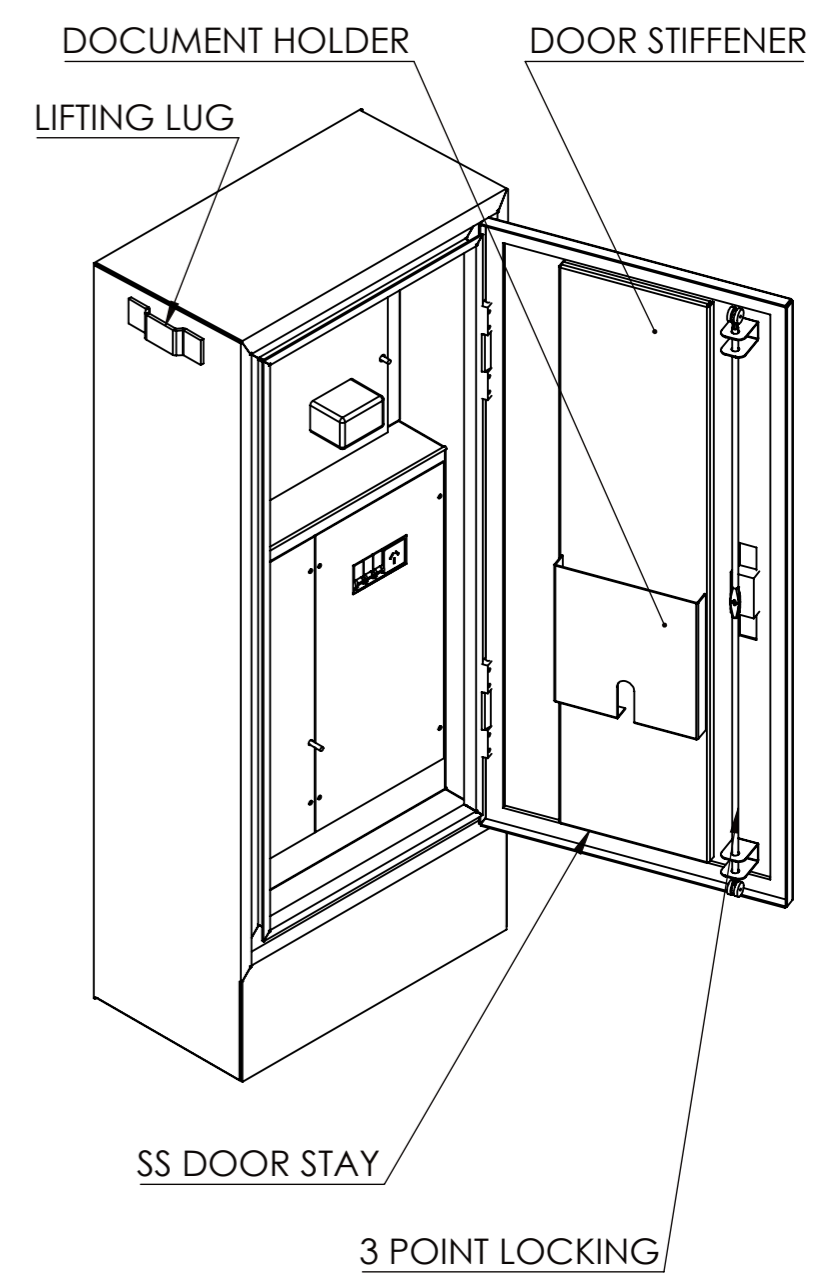
FRONT VIEW



SECTION C-C

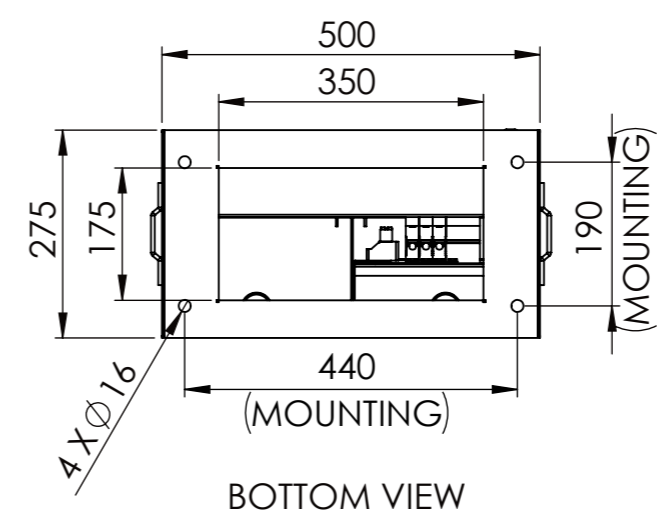


FRONT VIEW DOOR REMOVED



SECTION B-B

SECTION N-N



BOTTOM VIEW

UNLESS NOTED OTHERWISE:  
 1. Dimensions in millimetres.  
 2. Deburr and break all sharp edges.

Linear Dim's $\pm 0.5$	Hole Diameters $^{+0.1}_{-0.05}$
Angular Dim's $\pm 1^\circ$	All Bends $90^\circ \pm 0.5$
Linear tolerance	C
Angular tolerance	C
Geometry tolerance	L
Date Printed	Date Created
22/09/2021	12/02/2020
Checked	Author
RJS	RJS
Mass	Kgs.

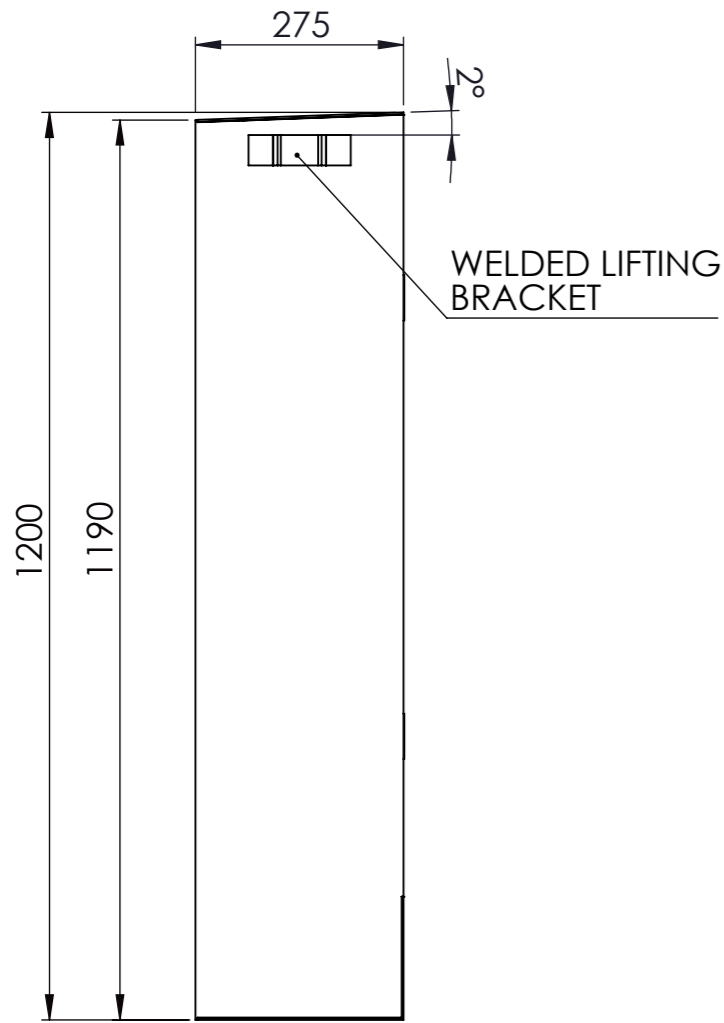
**LOGIX ENGINEERING**

Logix Engineering Pty Ltd  
 28 Spine St, Sumner Park,  
 QLD, 4074, Australia  
 t: +61 434 034 703  
 w: www.logixeng.com.au  
 e: tony@logixeng.com.au

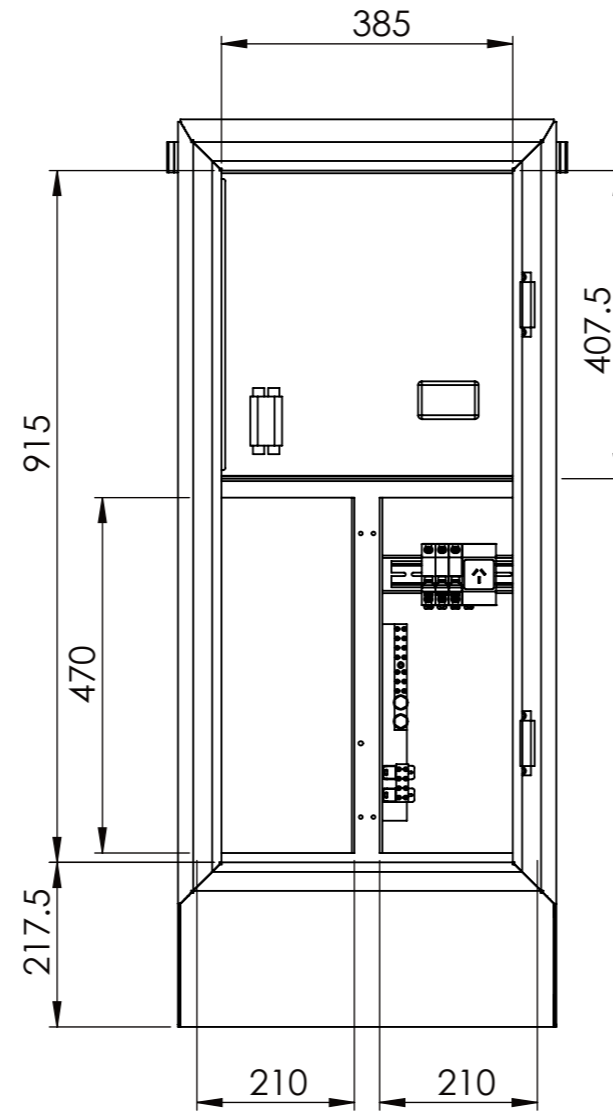
Component / Assembly Description  
**DISTRIBUTION CABINET TYPE 2**

AS1100

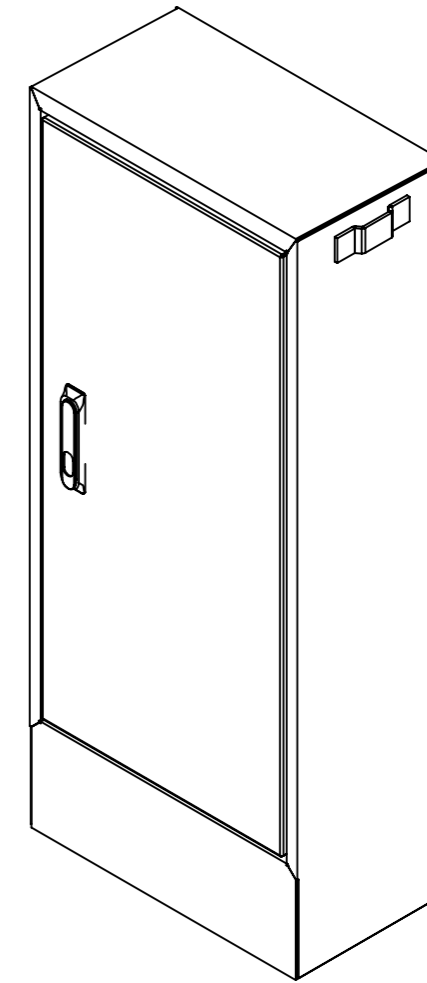
Component Type	<b>VR-EDC-T2</b>
Finish	<b>POWDERCOATED</b>
Material	<b>ALUMINIUM 2.5 mm</b>
Drawing Status	<b>RELEASED FOR MANUFACTURE</b>
Scale	1:10
Sheet No.	1 of 4
Sheet size	A3
Drawing No.	VR-EDC-T2
Drawing Type	A
Drg Rev	3A



SIDE VIEW



FRONT VIEW  
DOOR REMOVED



ISOMETRIC VIEW

UNLESS NOTED OTHERWISE:  
 1. Dimensions in millimetres.  
 2. Deburr and break all sharp edges.  
 Linear Dim's  $\pm 0.5$  Hole Diameters  $^{+0.1}_{-0.05}$   
 Angular Dim's  $\pm 1^\circ$  All Bends  $90^\circ \pm 0.5$



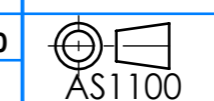
Logix Engineering Pty Ltd  
 28 Spine St, Sumner Park,  
 QLD, 4074, Australia  
 t: +61 434 034 703  
 w: www.logixeng.com.au  
 e: tony@logixeng.com.au

Component Type	<b>VR-EDC-T2</b>
Finish	<b>POWDERCOATED</b>
Material	<b>ALUMINIUM 2.5 mm</b>

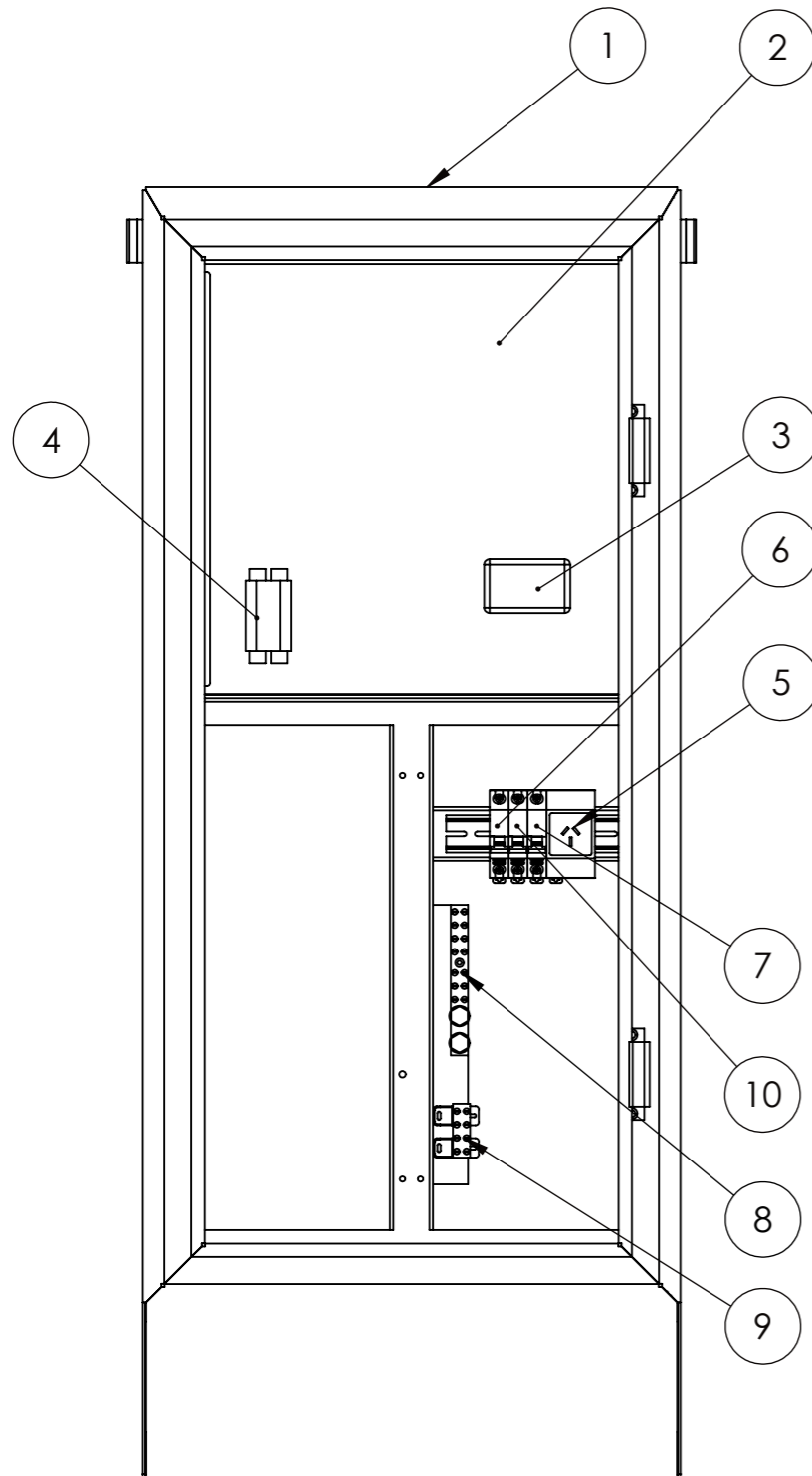
Linear tolerance	C
Angular tolerance	C
Geometry tolerance	L

Component / Assembly Description  
**DISTRIBUTION CABINET TYPE 2**

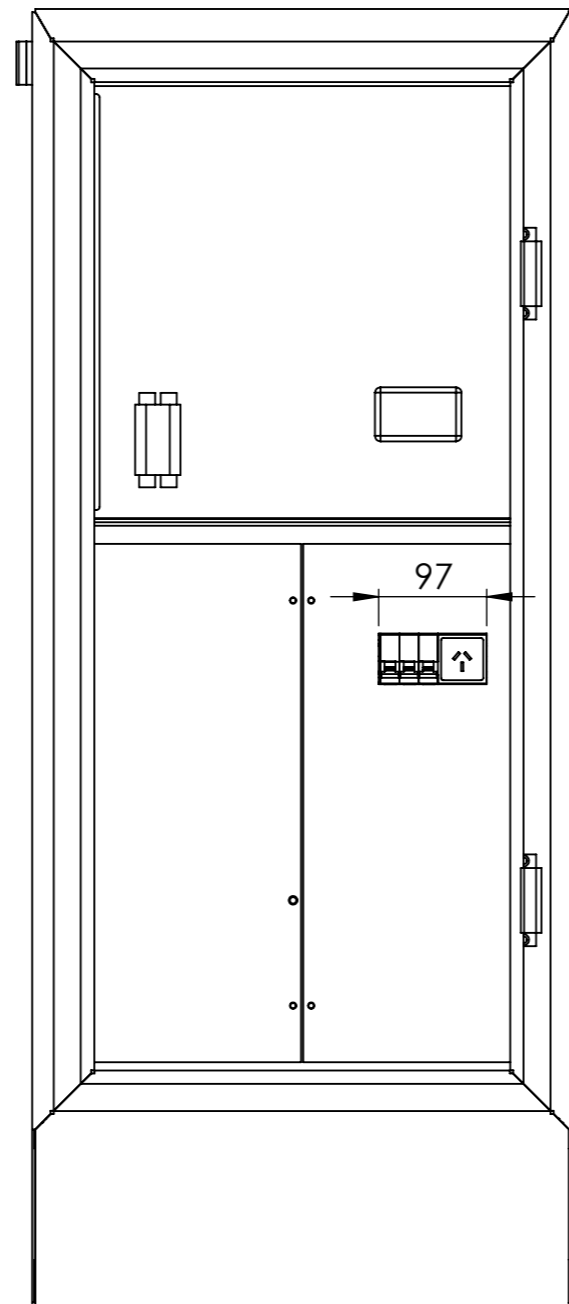
Date Printed	22/09/2021	Date Created	12/02/2020
Checked	RJS	Author	RJS
Mass	Kgs.		



Drawing Status	<b>RELEASED FOR MANUFACTURE</b>			Drawing Type	<b>A</b>	
Scale	1:10	Sheet No.	2 of 4	Sheet size	A3	
Drawing No.	<b>VR-EDC-T2</b>				Drg Rev	<b>3A</b>



FRONT VIEW  
ESCUTCHEONS REMOVED



FRONT VIEW

ITEM NO.	TYPE	PART NUMBER	QTY
1	ENCLOSURE	LOGIX ENGINEERING VR-EDC-T2	1
2	METER PANEL	INSULECT CUSTOM TYPE X	1
3	METER NEUTRAL	IPD VICLINK	1
4	METER FUSE	IPD S71002ABWS	1
5	HAGER GPO	SNO100A	1
6	40A MAIN SWITCH	SCHNEDER A9F44140	1
7	6A RCBO	SCHNEDER A9D61806	1
8	NEUTRAL	NE22C006X	1
9	EARTH	NE22C006X	1
10	32A MCB	SCHNEIDER A9F44132	1

UNLESS NOTED OTHERWISE:

- 1. Dimensions in millimetres.
- 2. Deburr and break all sharp edges.
- Linear Dim's  $\pm 0.5$  Hole Diameters  $^{+0.1}_{-0.05}$
- Angular Dim's  $\pm 1^\circ$  All Bends  $90^\circ \pm 0.5$

Linear tolerance	C
Angular tolerance	C
Geometry tolerance	L

Date Printed	22/09/2021	Date Created	12/02/2020
--------------	------------	--------------	------------

Checked	RJS	Author	RJS	Mass	Kgs.
---------	-----	--------	-----	------	------



Logix Engineering Pty Ltd  
28 Spine St, Sumner Park,  
QLD, 4074, Australia  
t: +61 434 034 703  
w: www.logixeng.com.au  
e: tony@logixeng.com.au

Component Type  
**VR-EDC-T2**

Finish  
**POWDERCOATED**

Material  
**ALUMINIUM  
2.5 mm**

Component / Assembly Description  
**DISTRIBUTION CABINET TYPE 2**



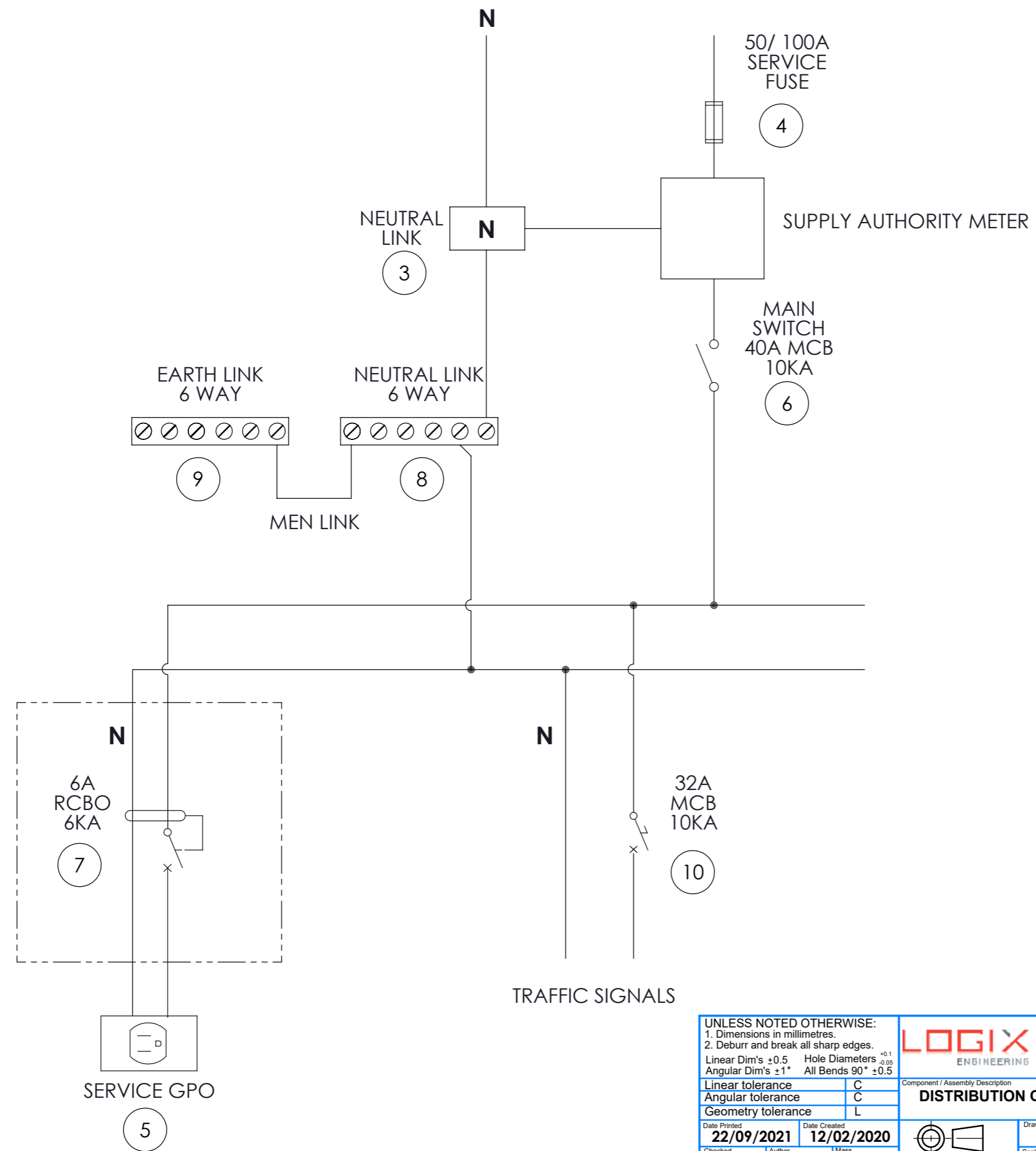
Drawing Status  
**RELEASED FOR MANUFACTURE**

Scale	1:7	Sheet No.	3 of 4	Sheet size	A3
-------	-----	-----------	--------	------------	----

Drawing Type  
**A**

Drawing No.  
**VR-EDC-T2**

Drg Rev  
**3A**



UNLESS NOTED OTHERWISE:  
 1. Dimensions in millimetres.  
 2. Deburr and break all sharp edges.

Linear Dim's $\pm 0.5$	Hole Diameters $^{+0.1}_{-0.05}$
Angular Dim's $\pm 1^{\circ}$	All Bends $90^{\circ} \pm 0.5$
Linear tolerance	C
Angular tolerance	C
Geometry tolerance	L

Date Printed: **22/09/2021** Date Created: **12/02/2020**

Checked: <b>RJS</b>	Author: <b>RJS</b>	Mass: <b>Kgs.</b>
---------------------	--------------------	-------------------

**LOGIX ENGINEERING**

Logix Engineering Pty Ltd  
 28 Spine St, Sumner Park,  
 QLD, 4074, Australia  
 t: +61 434 034 703  
 w: www.logixeng.com.au  
 e: tony@logixeng.com.au

Component / Assembly Description  
**DISTRIBUTION CABINET TYPE 2**

AS1100

Component Type	<b>VR-EDC-T2</b>	
Finish	<b>POWDERCOATED</b>	Material <b>ALUMINIUM</b> 2.5 mm
Drawing Status	<b>RELEASED FOR MANUFACTURE</b>	
Scale	Sheet No. <b>4 of 4</b>	Sheet size <b>A3</b>
Drawing No.	<b>VR-EDC-T2</b>	
Drawing Type	<b>A</b>	
Drg Rev	<b>3A</b>	