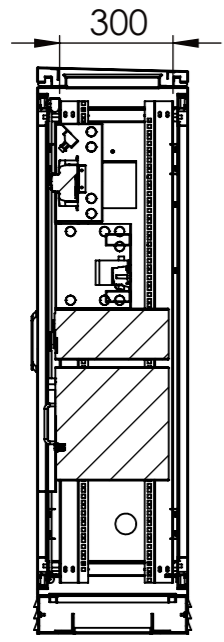
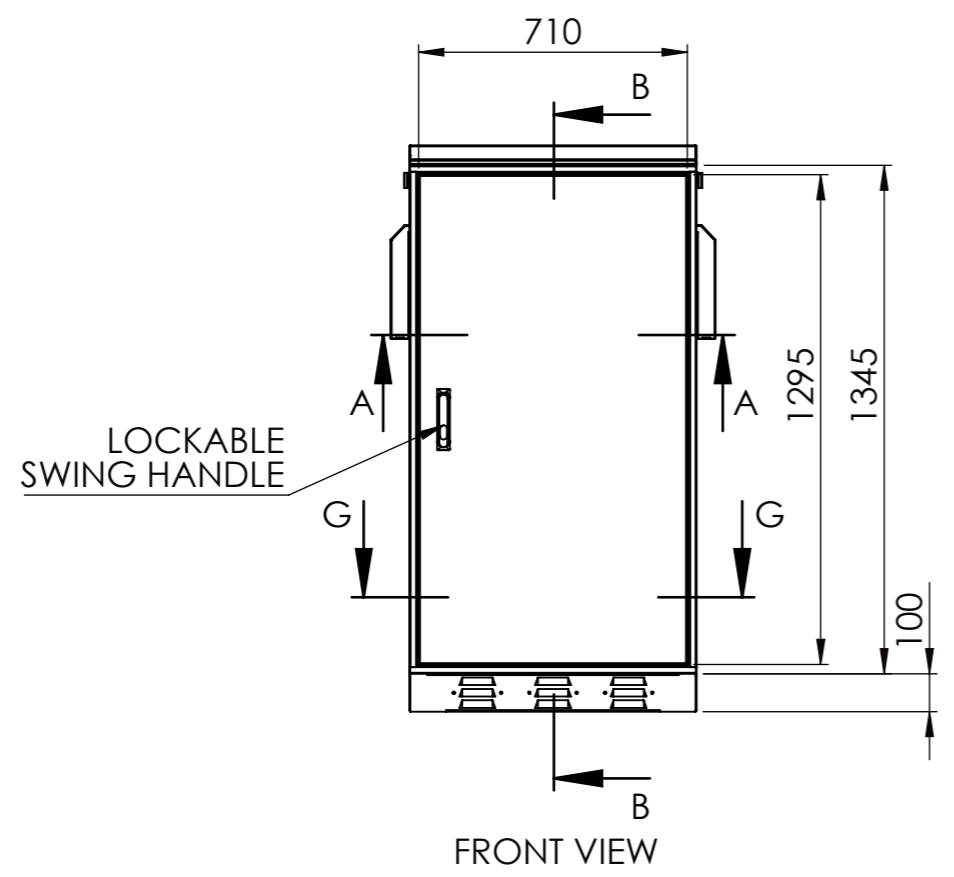


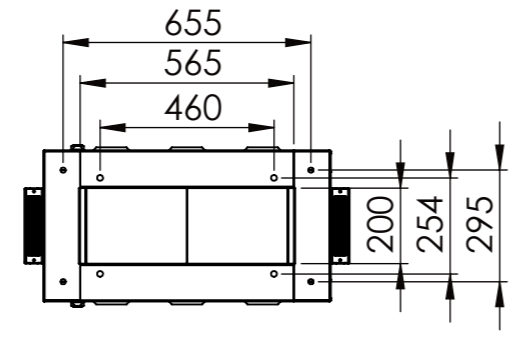
SECTION A-A



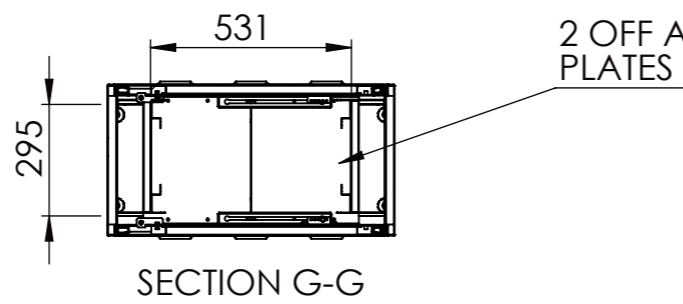
SECTION B-B



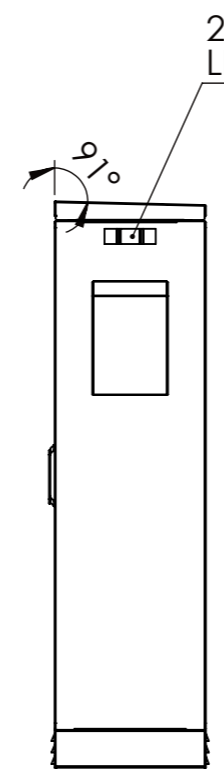
FRONT VIEW



BOTTOM VIEW

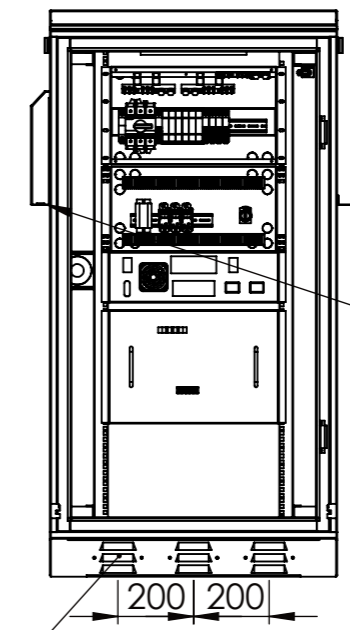


SECTION G-G



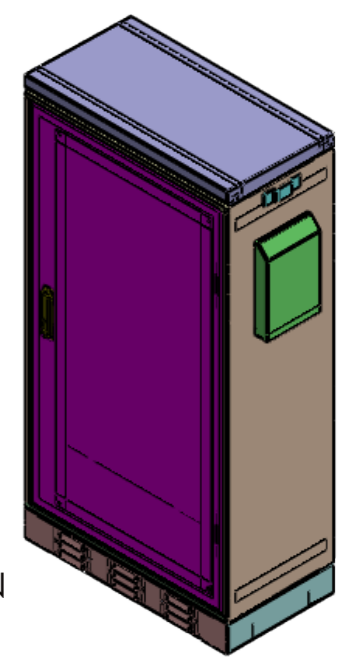
SIDE VIEW

VERMIN SCREEN BEHIND LOUVERS



FRONT VIEW DOORS REMOVED

VERMIN SCREEN TO BOTTOM OF VENTS



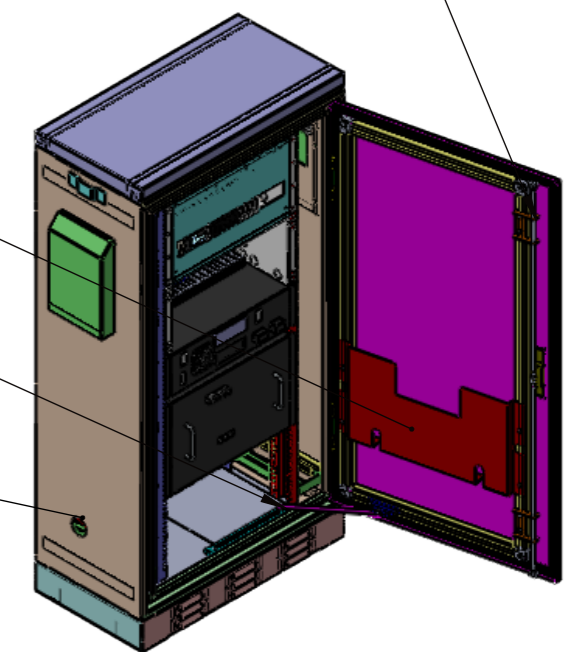
ISOMETRIC VIEW

3 POINT LOCKING

CARD HOLDER

DOOR STAY

GENERATOR ACCESS



UNLESS NOTED OTHERWISE:  
 1. Dimensions in millimetres.  
 2. Deburr and break all sharp edges.

Linear Dim's $\pm 0.5$	Hole Diameters $^{+0.1}_{-0.05}$
Angular Dim's $\pm 1^\circ$	All Bends $90^\circ \pm 0.5$

Linear tolerance	C
Angular tolerance	C
Geometry tolerance	L

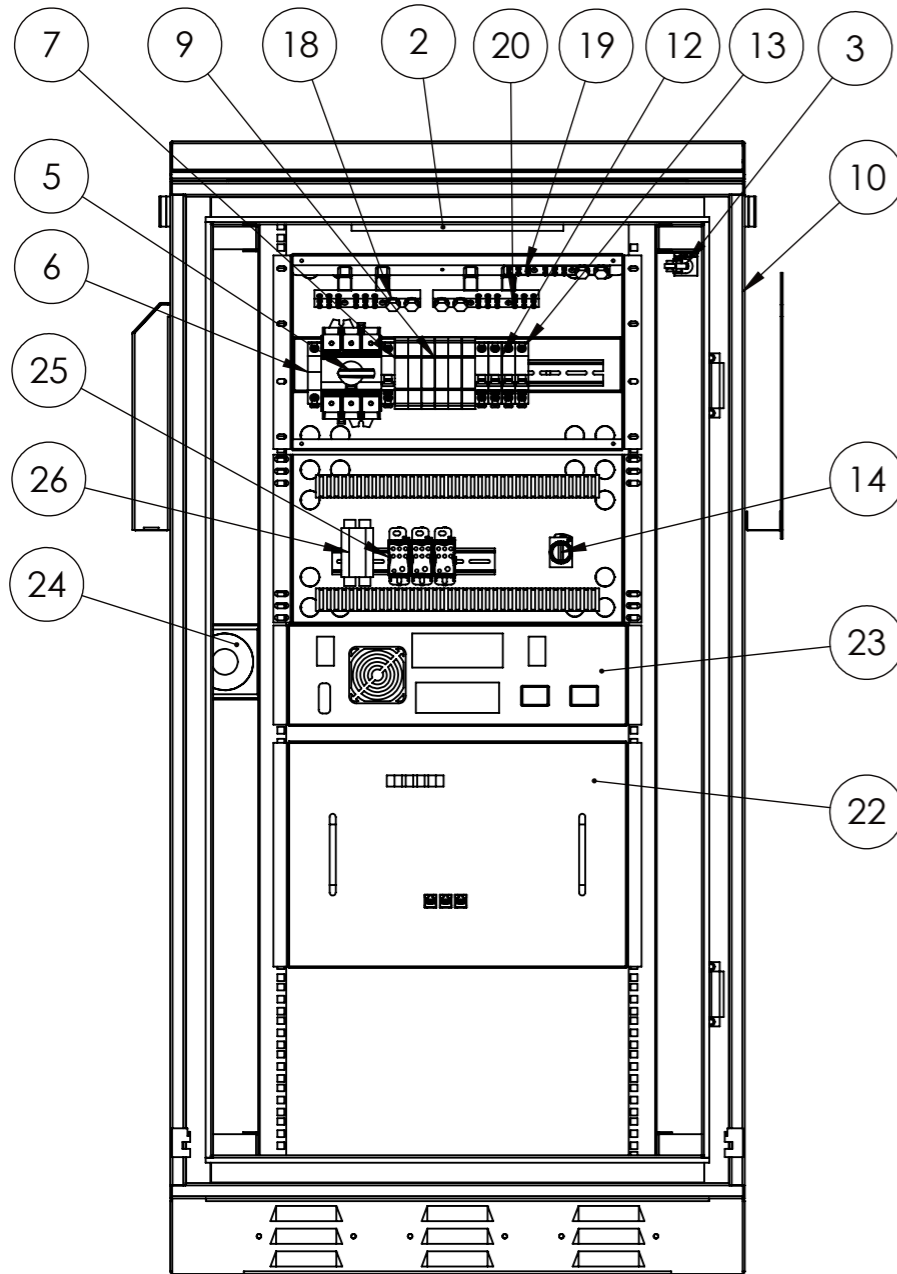
Date Printed	Date Created
3/09/2021	24/02/2020

Checked	Author	Mass
RJS	RJS	65 Kgs.



Logix Engineering Pty Ltd  
 28 Spine St, Sumner Park,  
 QLD, 4074, Australia  
 t: +61 434 034 703  
 w: www.logixeng.com.au  
 e: tony@logixeng.com.au

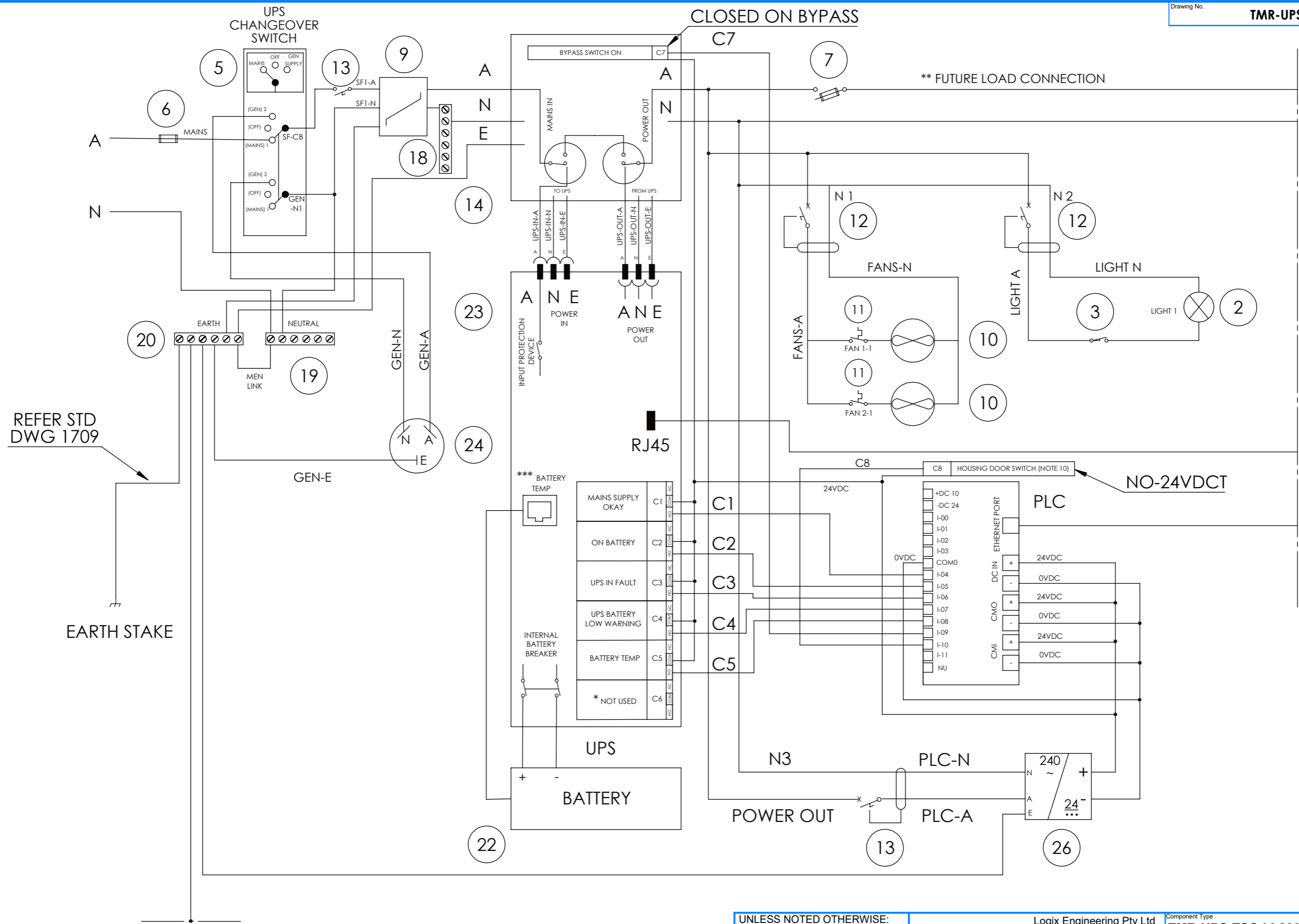
Component Type	<b>TMR-UPS-TSC-LI-2000-Q</b>	
Finish	T33 SMOKE BLUE	Material ALUMINIUM 2.5mm
Component / Assembly Description		
<b>UPS FOR TRAFFIC SIGNALS</b>		
Drawing Status	<b>RELEASED FOR MANUFACTURE</b>	
Drawing Type		
Scale	1:20	Sheet No. 1 of 4
Sheet size	A3	
Drawing No.	TMR-UPS-TSC-LI-2000-Q	
Drg Rev	8A	



FRONT VIEW

1	LOADCENTRE	LOGIX ENGINEERING	ITCS-LC-6U	1
2	LIGHT	SAL	SL9706TC	1
3	DOOR SWITCH	SCHNEIDER	XCK-P121	1
4	GPO	CLIPSAL	20255	1
5	MAIN SWITCH / GENERATOR CHANGE OVER SWITCH	SIRCO	SCOM403P + SCOM403PD	1
6	1P 32A HRC FUSE	LEGRAND	O5808	2
7	10A FUSE LINK	LITTLE FUSE	OKLK010T	1
8	LINE AND LOAD SHROUD	SIRCO		2
9	SURGE FILTER	NOVARIS	SFD1-32-100-275A	1
10	FAN	LINKWELL	FK 5522.230	1
11	THERMOSTAT	LINKWELL	JWT6011F	1
12	6A RCBO	SCHNEIDER	A9D61806	3
13	MCB 32A 1P 6KA	SCHNEIDER	A9F44132	1
14	UPS BYPASS SWITCH	KRAUS & NAIMER	C26S AU006203 – 600 E-V AUS0001	1
15	TERMINALS	WEIDMULLER	SAK4	8
16	ENDPLATE	WEIDMULLER	WAP2.5-10	2
17	END CLAMPS	WEIDMULLER	EW35	4
18	NEUTRAL (4WAY)	NETEC	SPB170323	1
19	NEUTRAL (12 WAY)	NETEC	NE22C012X	1
20	EARTH	NETEC	NE22C012X	1
21	NEUTRAL FEET	NETEC	INSF-M5S	4
22	BATTERY LIFEPO4	BKT ELECTRONICS	IFS48-1000-E3 48V 100AH	1
23	UPS 2000VA LINE INTERACTIVE	ALPHA TECHNOLOGY	FXM2000	1
24	15A SOCKET	CLIPSAL	56AI315	1
25	PLC	ALLAN BRADLEY	2080LC2020QBB	1
26	PLC POWER SUPPLY	ALLAN BRADLEY	2080PS120240VAC	1

<b>UNLESS NOTED OTHERWISE:</b> 1. Dimensions in millimetres. 2. Deburr and break all sharp edges. Linear Dim's $\pm 0.5$ Hole Diameters $^{+0.1}_{-0.05}$ Angular Dim's $\pm 1^\circ$ All Bends $90^\circ \pm 0.5$		Logix Engineering Pty Ltd 28 Spine St, Sumner Park, QLD, 4074, Australia t: +61 434 034 703 w: www.logixeng.com.au e: tony@logixeng.com.au	Component Type <b>TMR-UPS-TSC-LI-2000-Q</b>	
Linear tolerance C Angular tolerance C Geometry tolerance L			Finish <b>T33 SMOKE BLUE</b> Material <b>ALUMINIUM</b> <b>2.5mm</b>	
Date Printed <b>3/09/2021</b> Date Created <b>24/02/2020</b>		Component / Assembly Description <b>UPS FOR TRAFFIC SIGNALS</b>		
Checked <b>RJS</b> Author <b>RJS</b> Mass <b>65 Kgs.</b>		Drawing Status <b>RELEASED FOR MANUFACTURE</b>		Drawing Type TMR-UPS-TSC-LI-2000-Q <b>8A</b>
Scale <b>1:10</b> Sheet No. <b>2 of 4</b> Sheet size <b>A3</b>		Drawing No. <b>TMR-UPS-TSC-LI-2000-Q</b> Drg Rev. <b>8A</b>		



REFER STD DWG 1709

EARTH STAKE

\* C6 OUTPUT HAS 48V FROM BATTERY FOR LOAD CONTROL

\*\* FUTURE LOAD CONNECTION

\*\*\* TEMPERATURE PROBE IS ATTACHED TO BATTERY BANK CASE

UNLESS NOTED OTHERWISE:  
 1. Dimensions in millimetres.  
 2. Debur and break all sharp edges.

Linear Dim's $\pm 0.5$	Hole Diameters $^{+0.1}_{-0.05}$
Angular Dim's $\pm 1^\circ$	All Bends $90^\circ \pm 0.5$

Linear tolerance	C
Angular tolerance	C
Geometry tolerance	L

Date Printed: **3/09/2021** Date Created: **24/02/2020**

Checked: <b>RJS</b>	Author: <b>RJS</b>	Mass: <b>65 Kgs.</b>
---------------------	--------------------	----------------------



Logix Engineering Pty Ltd  
 28 Spine St, Summer Park,  
 QLD, 4074, Australia  
 t: +61 434 034 703  
 w: www.logixeng.com.au  
 e: tony@logixeng.com.au

Component Type	<b>TMR-UPS-TSC-LI-2000-Q</b>
Finish	<b>T33 SMOKE BLUE</b>
Material	<b>ALUMINIUM 2.5mm</b>

Component / Assembly Description  
**UPS FOR TRAFFIC SIGNALS**



Drawing Status	<b>RELEASED FOR MANUFACTURE</b>	Drawing Type	
Scale	<b>1:10</b>	Sheet No.	<b>3 of 4</b>
Sheet size	<b>A3</b>	Drawing No.	<b>TMR-UPS-TSC-LI-2000-Q</b>
Drg Rev	<b>8A</b>		