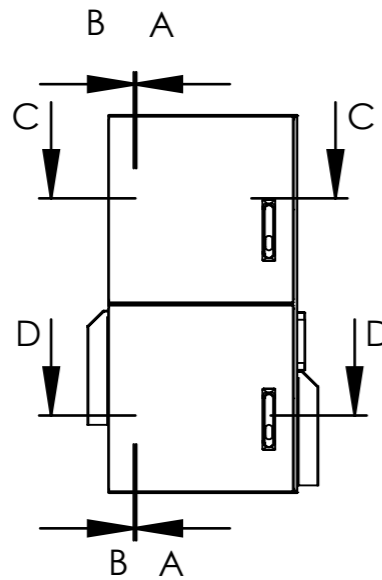
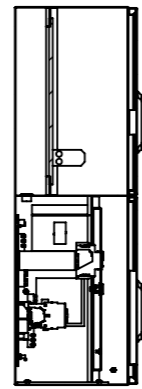


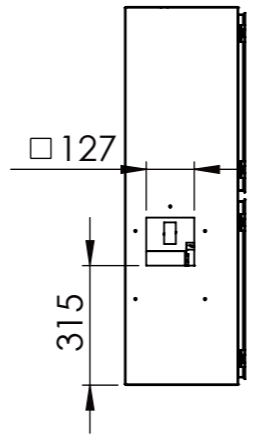
SECTION C-C



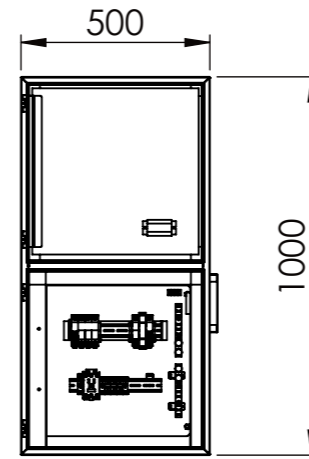
SECTION A-A



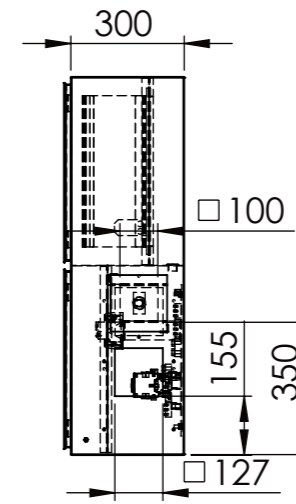
SECTION B-B



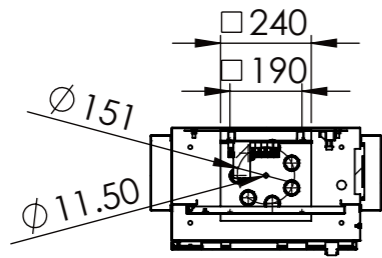
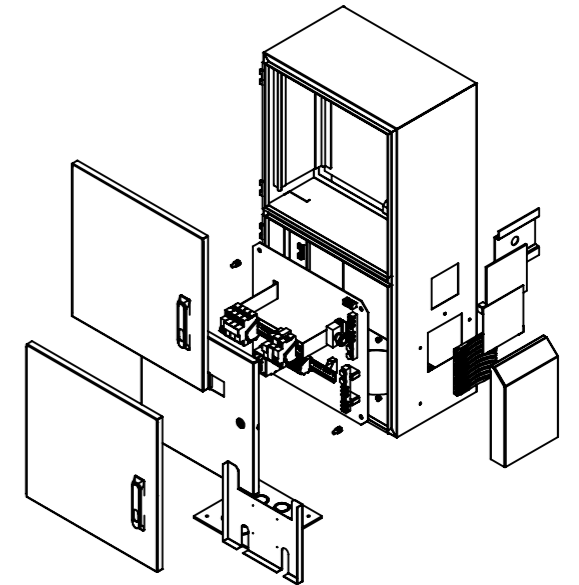
SIDE VIEW



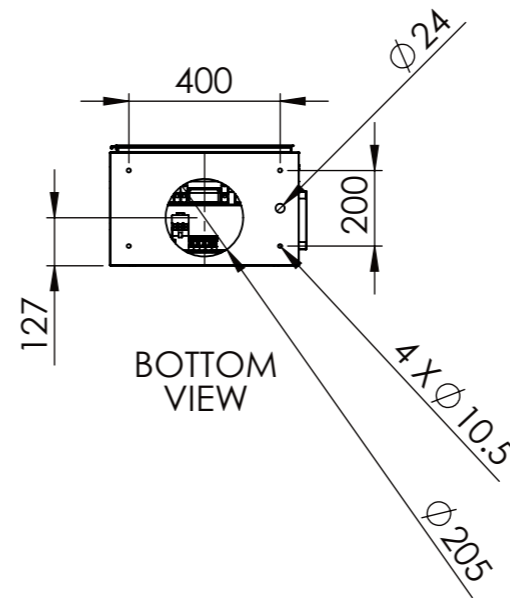
FRONT VIEW



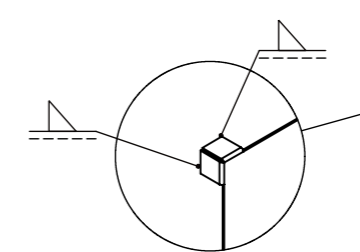
SIDE VIEW



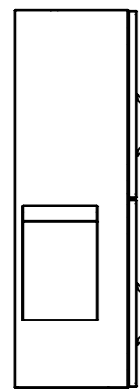
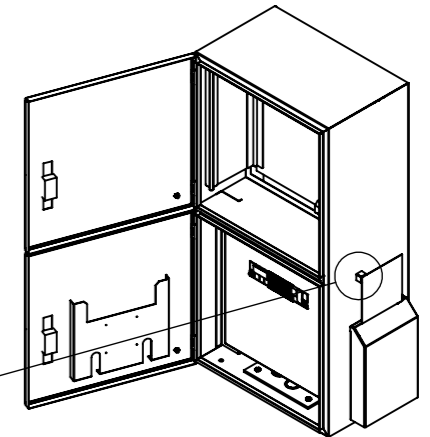
SECTION D-D



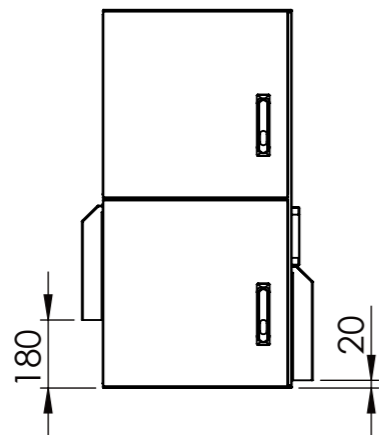
BOTTOM VIEW



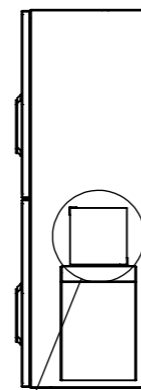
DETAIL O LIGHT DEFLECTOR WELD DETAIL



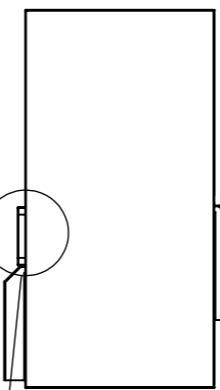
SIDE VIEW



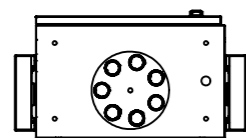
FRONT VIEW



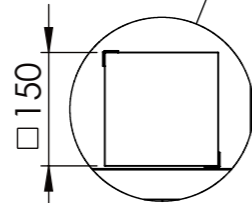
SIDE VIEW



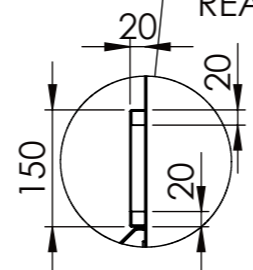
REAR VIEW



BOTTOM VIEW



DETAIL N LIGHT DEFLECTOR



DETAIL M LIGHT DEFLECTOR

UNLESS NOTED OTHERWISE:
 1. Dimensions in millimetres.
 2. Deburr and break all sharp edges.
 Linear Dim's ± 0.5 Hole Diameters $^{+0.1}_{-0.05}$
 Angular Dim's $\pm 1^\circ$ All Bends $90^\circ \pm 0.5$



Logix Engineering Pty Ltd
 28 Spine St, Sumner Park,
 QLD, 4074, Australia
 t: +61 434 034 703
 w: www.logixeng.com.au
 e: tony@logixeng.com.au

Component Type **TMR R3LM - 1P POLE MOUNT ENCLOSURE**

Finish **BRUSHED** Material **STAINLESS STEEL**

Linear tolerance C
 Angular tolerance C
 Geometry tolerance L

Component / Assembly Description
RATE 3 METERED SINGLE PHASE ENCLOSURE

Date Printed **16/09/2021** Date Created **3/02/2020**

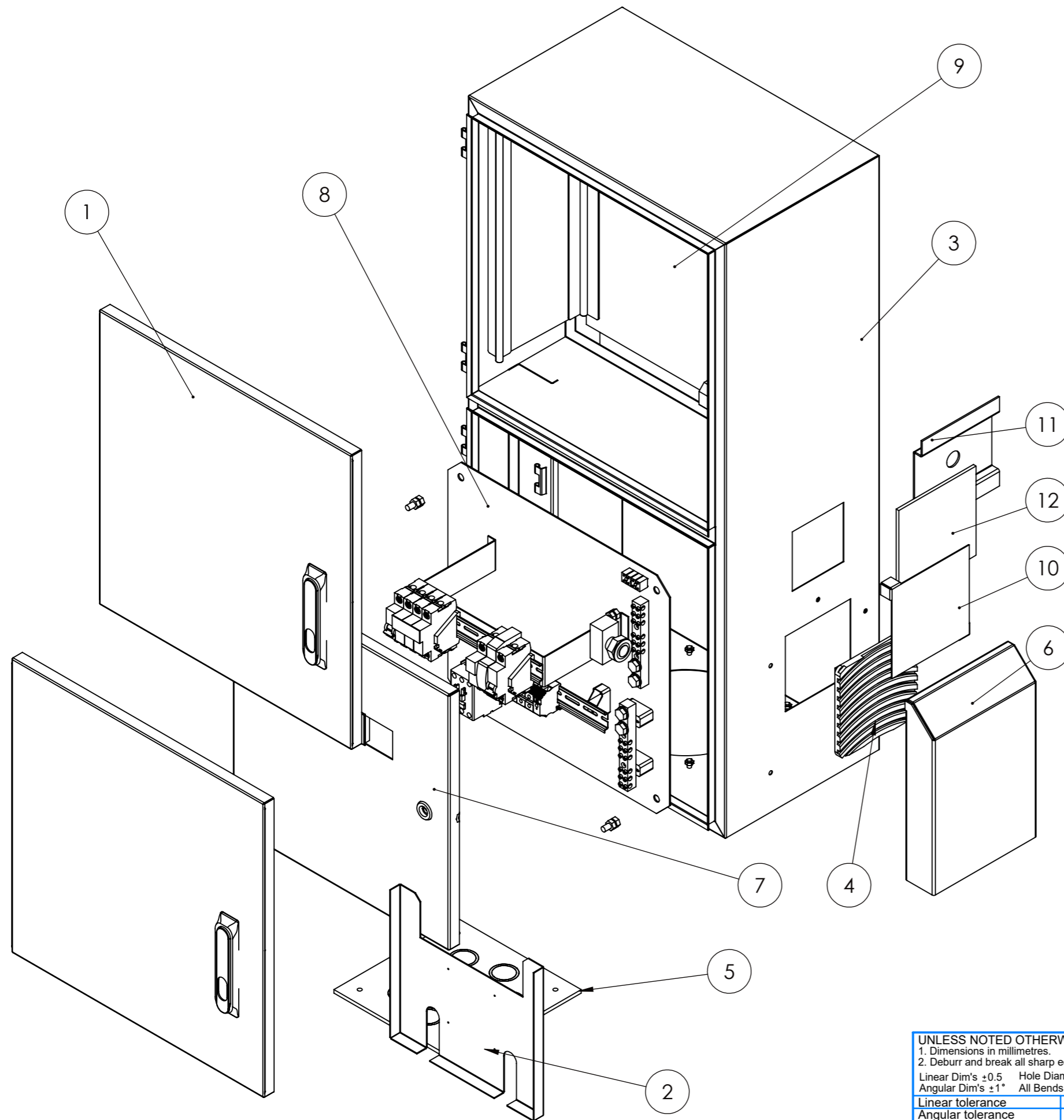


Drawing Status **RELEASED FOR MANUFACTURE**

Drawing Type **A**

Checked **RJS** Author **RJS** Mass **Kgs.**

Scale **1:20** Sheet No. **1 of 4** Sheet size **A3** Drawing No. **TMR R3LM - 1P** Drg Rev **3A**



ITEM NO.	PART NUMBER	QTY.
1	TMR-R3LM-1P-DOOR	2
2	CARD-HOLDER	1
3	TMR-R3LM-1P-BODY	1
4	FILTER	2
5	RATE 3 -INTERNAL-GP	1
6	FILTER-HOOD	2
7	ESCUCHEON-0505-1-A	1
8	TMR-R3LM-1P-MP	1
9	RATE 3 BLACK-PANEL-HINGED	1
10	WELDED LIGHT DEFLECTOR	1
11	PE CELL HOUSING	1
12	PE CELL HOUSING LENSE COVER	1

UNLESS NOTED OTHERWISE:
 1. Dimensions in millimetres.
 2. Deburr and break all sharp edges.
 Linear Dim's ± 0.5 Hole Diameters $^{+0.1}_{-0.05}$
 Angular Dim's $\pm 1^{\circ}$ All Bends $90^{\circ} \pm 0.5$



Logix Engineering Pty Ltd
 28 Spine St, Sumner Park,
 QLD, 4074, Australia
 t: +61 434 034 703
 w: www.logixeng.com.au
 e: tony@logixeng.com.au

Component Type
TMR R3LM - 1P POLE MOUNT ENCLOSURE

Finish **BRUSHED**

Material **STAINLESS STEEL**

Linear tolerance C
 Angular tolerance C
 Geometry tolerance L

Component / Assembly Description
RATE 3 METERED SINGLE PHASE ENCLOSURE

Date Printed 16/09/2021 Date Created 3/02/2020



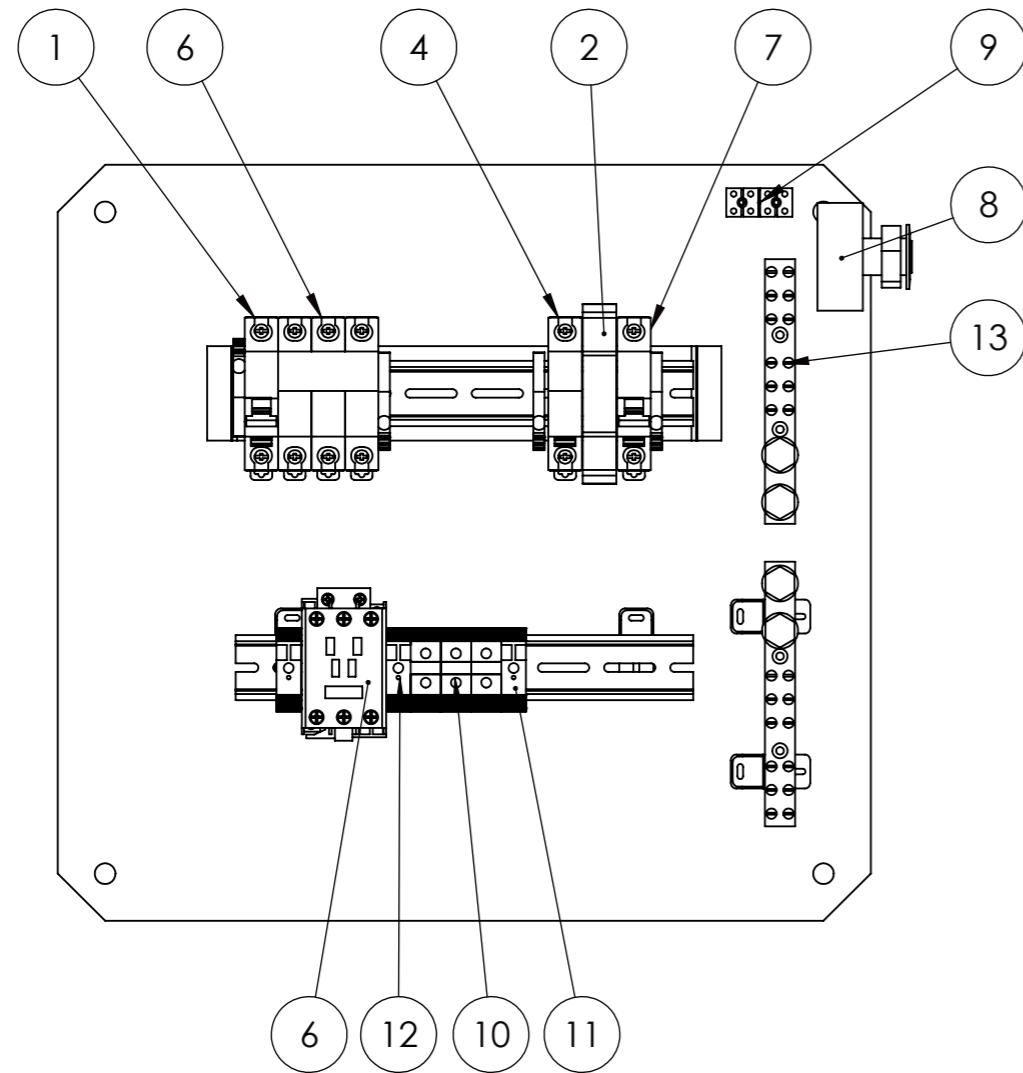
Drawing Status
RELEASED FOR MANUFACTURE

Drawing Type
A

Checked RJS Author RJS Mass Kgs.

Scale 1:10 Sheet No. 2 of 4 Sheet size A3 Drawing No.

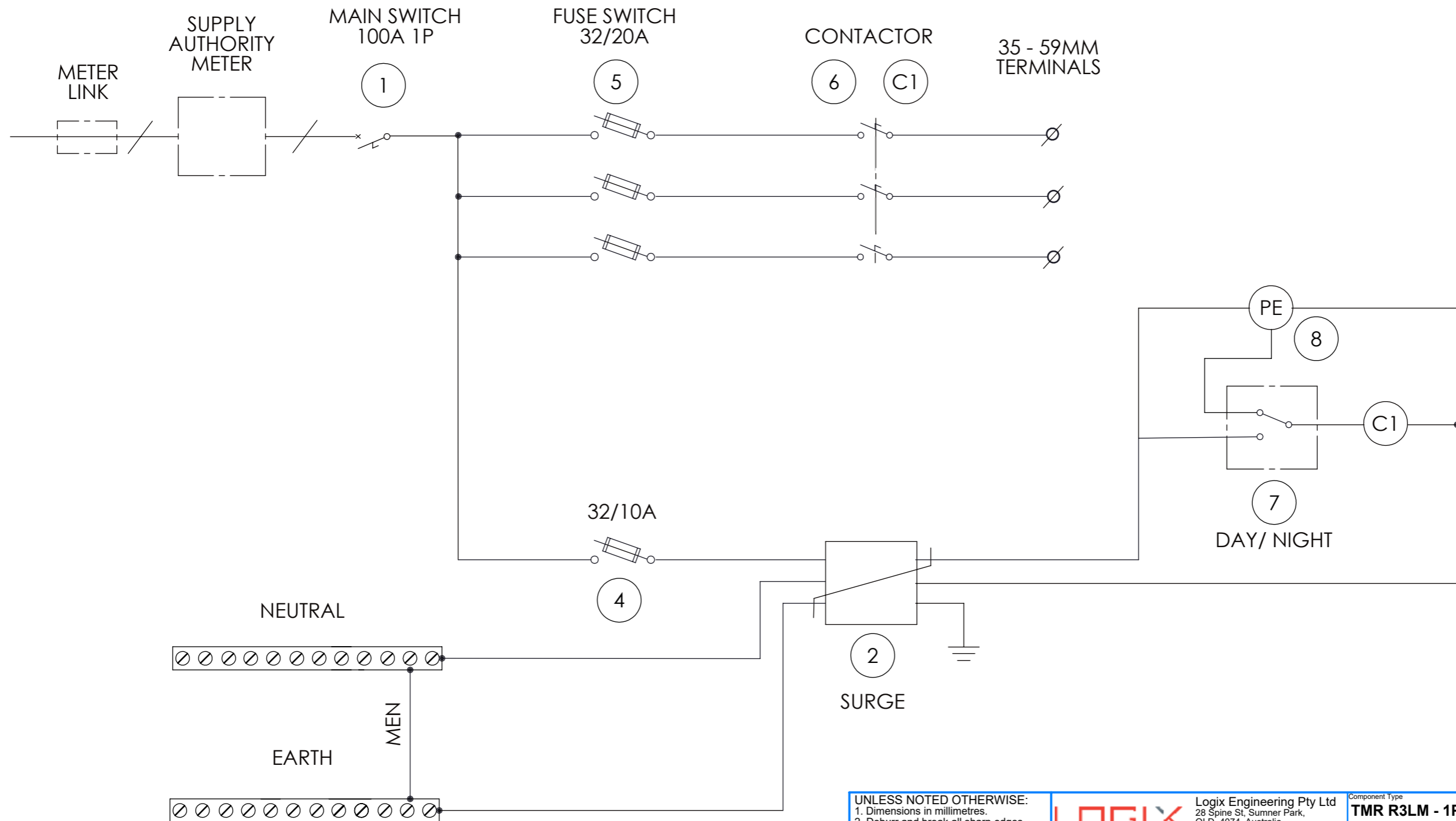
Drg Rev
TMR R3LM - 1P 3A



R3LM-1P MOUNTING PAN LAYOUT

ITEM NO.	PART NUMBER	QTY.
1	100A MAIN SWITCH 1P SCHNEIDER A9S66191	1
2	SURGE FILTER-NOVARIS-SSP1-16-15-275	1
3	1P-FUSE-LEGRAND-5808	4
4	FUSE LINK -LEGRAND-13310	1
5	FUSE LINK -LEGRAND-13320	3
6	CONTACTOR CA7-37-00	1
7	DAY/ NIGHT SWITCH 412900	1
8	PE CELL-ROYCE THOMPSON-MICROSTAR 2000 ST	1
9	PE TERMINAL WEIDMULLER MK3/12 0243520000	1
10	WDU35-35MM TERMINAL	3
11	WEW35-1-LARGE-END-CLAMP	2
12	WEIDMULLER-EW-35	2
13	NE250A-M006X	2

UNLESS NOTED OTHERWISE: 1. Dimensions in millimetres. 2. Deburr and break all sharp edges. Linear Dim's ± 0.5 Hole Diameters $^{+0.1}_{-0.05}$ Angular Dim's $\pm 1^\circ$ All Bends $90^\circ \pm 0.5$		Logix Engineering Pty Ltd 28 Spine St, Sumner Park, QLD, 4074, Australia t: +61 434 034 703 w: www.logixeng.com.au e: tony@logixeng.com.au	Component Type TMR R3LM - 1P POLE MOUNT ENCLOSURE
Linear tolerance C Angular tolerance C Geometry tolerance L	Finish N/A Material STAINLESS STEEL		
Date Printed 5/02/2020 Date Created 3/02/2020		Component / Assembly Description RATE 3 METERED SINGLE PHASE ENCLOSURE	
Checked RJS Author RJS Mass Kgs.		Drawing Status RELEASED FOR MANUFACTURE	Drawing Type A
Scale 1:4 Sheet No. 3 of 4 Sheet size A3		Drawing No. TMR R3LM - 1P Drg Rev 3A	



UNLESS NOTED OTHERWISE:
 1. Dimensions in millimetres.
 2. Deburr and break all sharp edges.

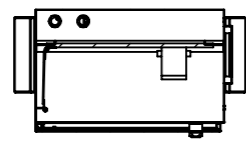
Linear Dim's	±0.5	Hole Diameters	^{+0.1} _{-0.05}
Angular Dim's	±1°	All Bends	90° ±0.5
Linear tolerance	C	Angular tolerance	C
Geometry tolerance	L		

Date Printed: **5/02/2020** Date Created: **3/02/2020**
 Checked: **RJS** Author: **RJS** Mass: **Kgs.**

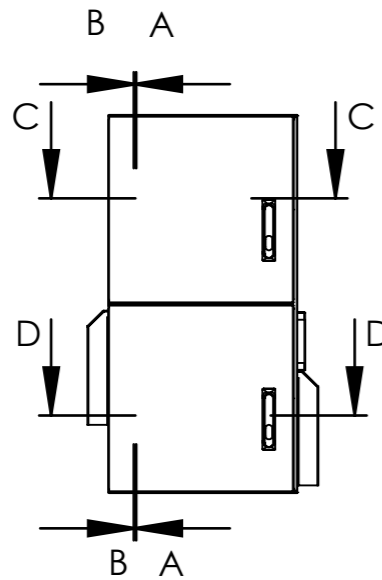
LOGIX ENGINEERING
 Logix Engineering Pty Ltd
 28 Spine St, Summer Park, QLD, 4074, Australia
 t: +61 434 034 703
 w: www.logixeng.com.au
 e: tony@logixeng.com.au

Component Type	TMR R3LM - 1P POLE MOUNT ENCLOSURE		
Finish	BRUSHED	Material	STAINLESS STEEL
Component / Assembly Description			
RATE 3 METERED SINGLE PHASE ENCLOSURE LINE DIAGRAM			
Drawing Status	RELEASED FOR MANUFACTURE		Drawing Type
			A
Scale	Sheet No.	Sheet size	Drawing No.
1:4	4 of 4	A3	TMR R3LM - 1P
			Drg Rev 3A

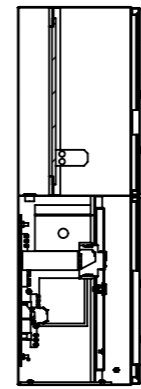




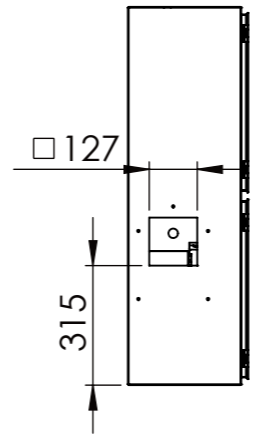
SECTION C-C



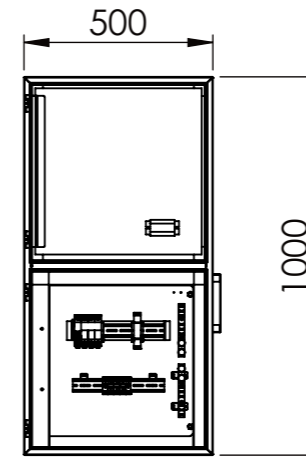
SECTION A-A



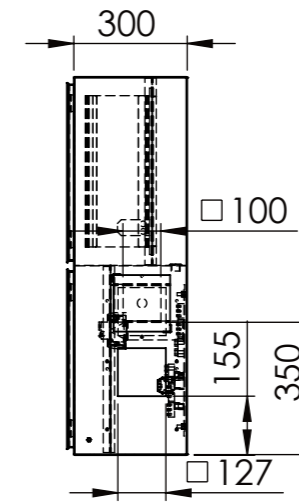
SECTION B-B



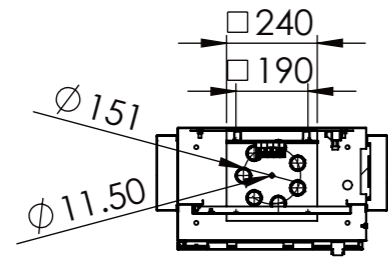
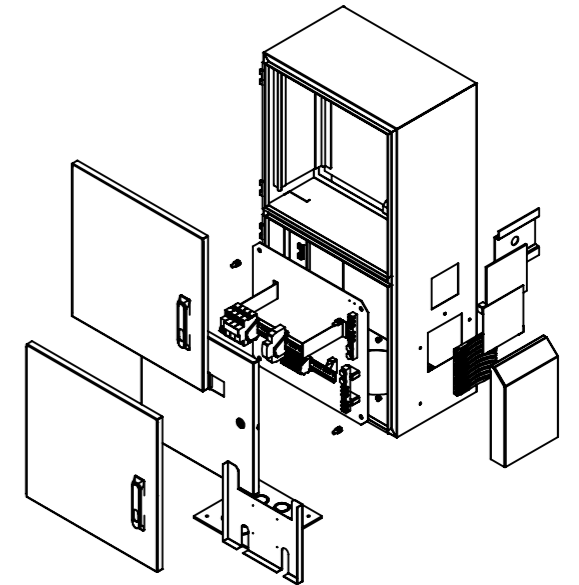
SIDE VIEW



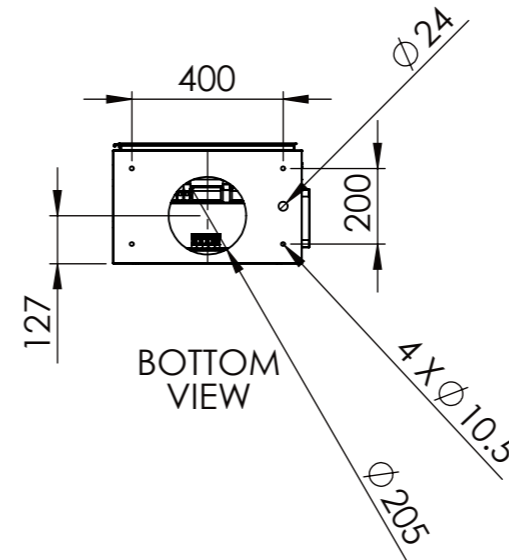
FRONT VIEW



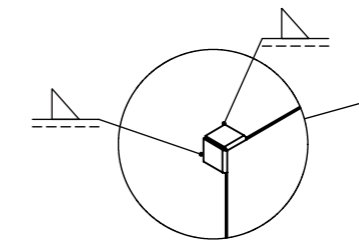
SIDE VIEW



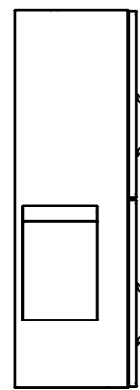
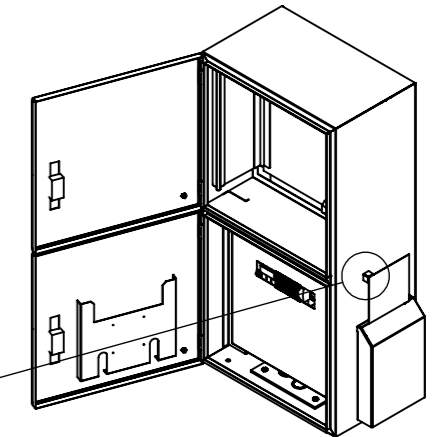
SECTION D-D



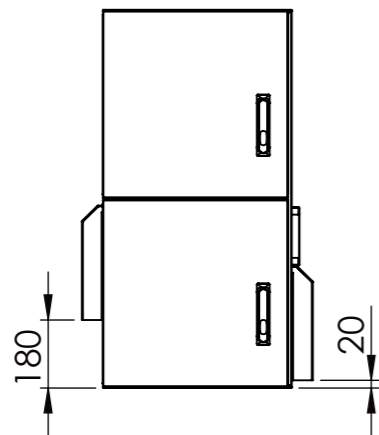
BOTTOM VIEW



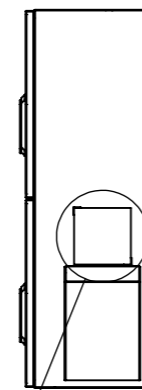
DETAIL O LIGHT DEFLECTOR WELD DETAIL



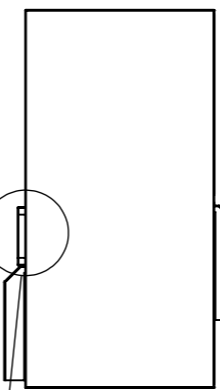
SIDE VIEW



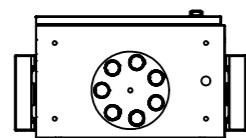
FRONT VIEW



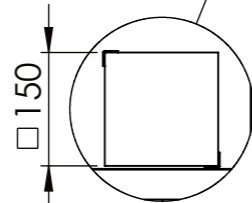
SIDE VIEW



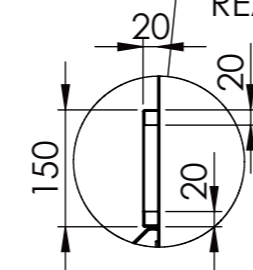
REAR VIEW



BOTTOM VIEW



DETAIL N LIGHT DEFLECTOR



DETAIL M LIGHT DEFLECTOR

UNLESS NOTED OTHERWISE:
 1. Dimensions in millimetres.
 2. Deburr and break all sharp edges.
 Linear Dim's ± 0.5 Hole Diameters $^{+0.1}_{-0.05}$
 Angular Dim's $\pm 1^\circ$ All Bends $90^\circ \pm 0.5$



Logix Engineering Pty Ltd
 28 Spine St, Sumner Park,
 QLD, 4074, Australia
 t: +61 434 034 703
 w: www.logixeng.com.au
 e: tony@logixeng.com.au

Component Type **TMR R3LM - 1P POLE MOUNT ENCLOSURE**

Finish **BRUSHED** Material **STAINLESS STEEL**

Linear tolerance C
 Angular tolerance C
 Geometry tolerance L

Component / Assembly Description
RATE 3 METERED SINGLE PHASE ENCLOSURE

Date Printed **16/09/2021** Date Created **16/09/2021**



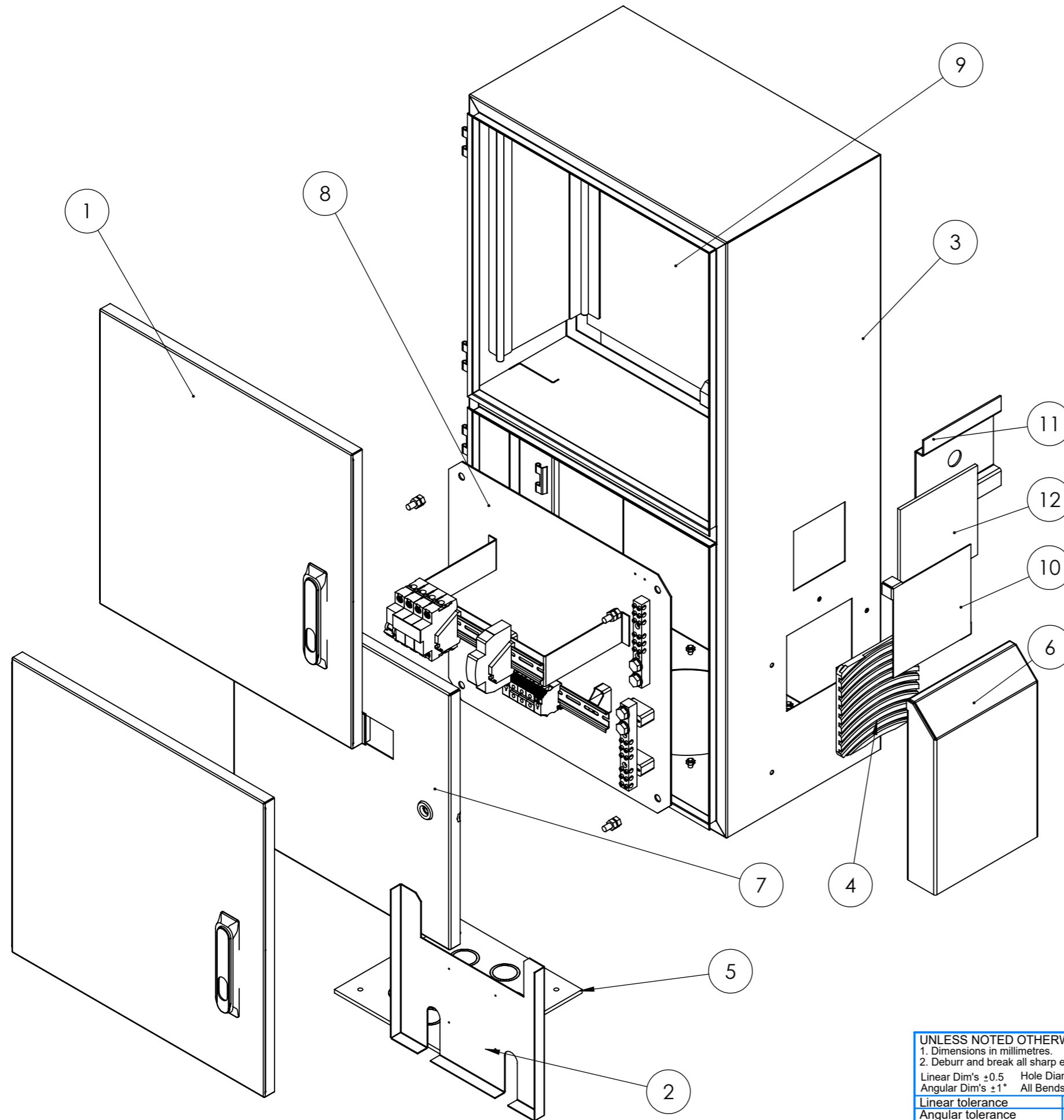
Drawing Status **RELEASED FOR MANUFACTURE**

Drawing Type **A**

Checked **RJS** Author **RJS** Mass **Kgs.**

Scale **1:20** Sheet No. **1 of 4** Sheet size **A3** Drawing No.

TMR R3LM-1P-SL 1A



ITEM NO.	PART NUMBER	QTY.
1	TMR-R3LM-1P-DOOR	2
2	CARD-HOLDER	1
3	TMR-R3LM-1P-BODY	1
4	FILTER	2
5	RATE 3 -INTERNAL-GP	1
6	FILTER-HOOD	2
7	ESCUCHEON-0505-1-A	1
8	TMR-R3LM-1P-MP	1
9	RATE 3 BLACK-PANEL-HINGED	1
10	WELDED LIGHT DEFLECTOR	1
11	PE CELL HOUSING	1
12	PE CELL HOUSING LENSE COVER	1

UNLESS NOTED OTHERWISE:
 1. Dimensions in millimetres.
 2. Deburr and break all sharp edges.
 Linear Dim's ± 0.5 Hole Diameters $^{+0.1}_{-0.05}$
 Angular Dim's $\pm 1^{\circ}$ All Bends $90^{\circ} \pm 0.5$



Logix Engineering Pty Ltd
 28 Spine St, Sumner Park,
 QLD, 4074, Australia
 t: +61 434 034 703
 w: www.logixeng.com.au
 e: tony@logixeng.com.au

Component Type
TMR R3LM - 1P POLE MOUNT ENCLOSURE

Finish **BRUSHED**

Material **STAINLESS STEEL**

Linear tolerance	C
Angular tolerance	C
Geometry tolerance	L

Component / Assembly Description
RATE 3 METERED SINGLE PHASE ENCLOSURE

Date Printed
16/09/2021

Date Created
16/09/2021

Drawing Status
RELEASED FOR MANUFACTURE

Drawing Type
A

Checked
RJS

Author
RJS

Mass
Kgs.

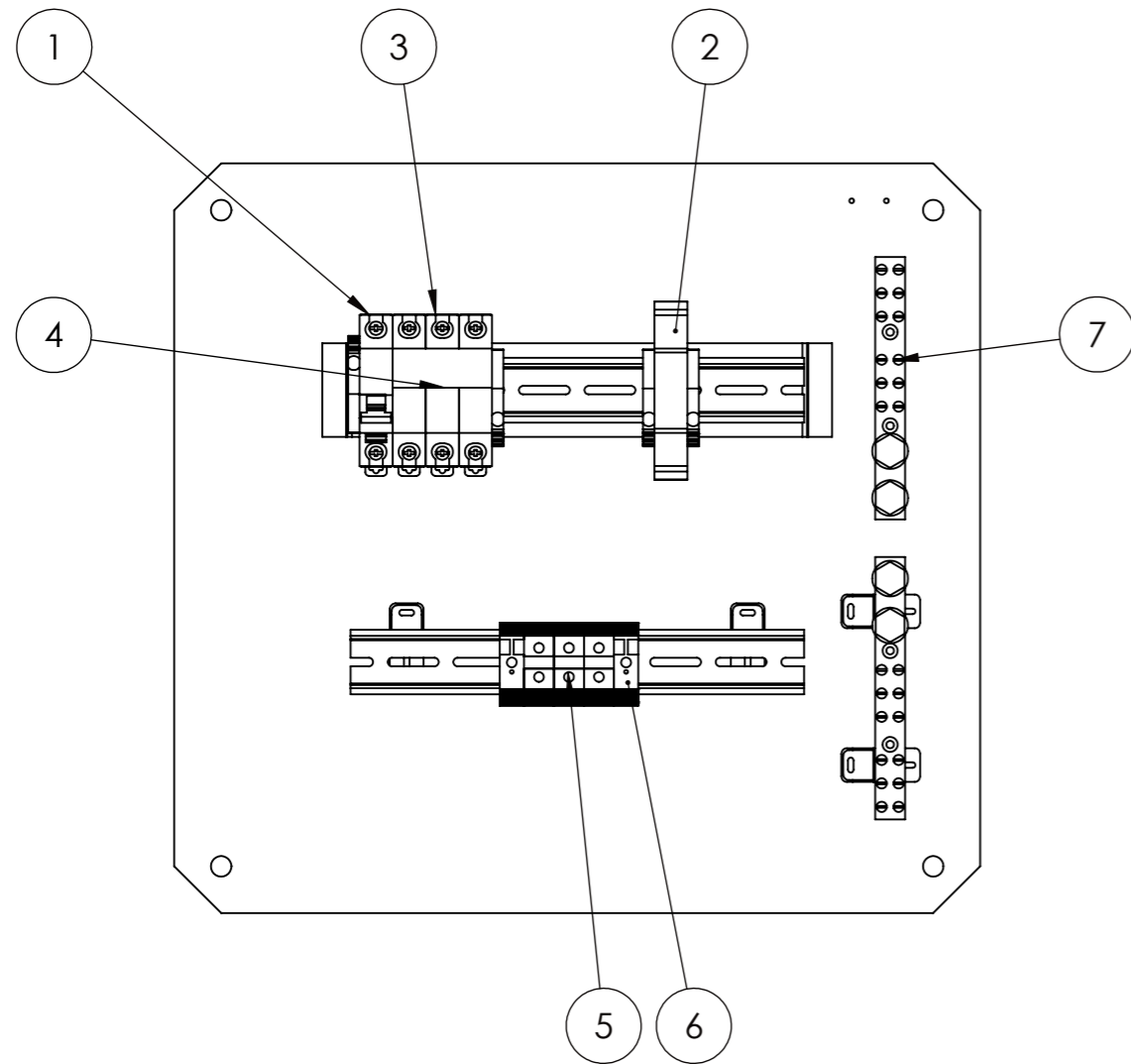


Scale
1:10

Sheet No.
2 of 4

Sheet size
A3

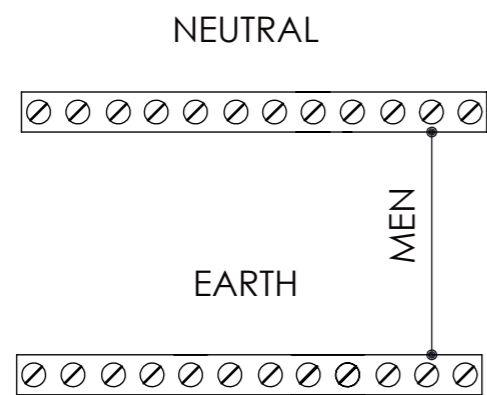
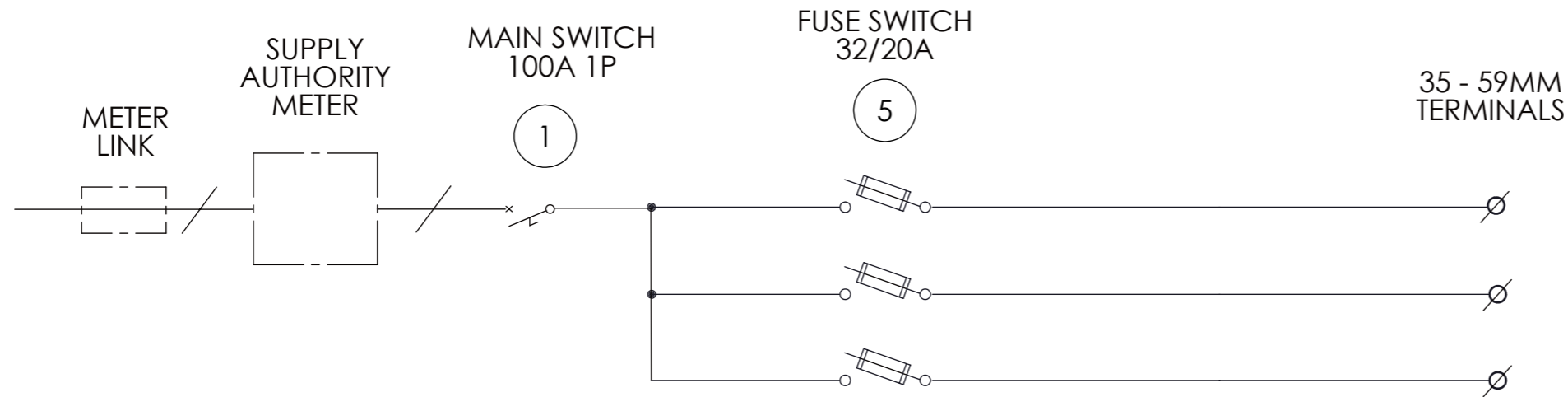
Drawing No.
TMR R3LM-1P-SL 1A



R3LM-1P MOUNTING PAN LAYOUT

ITEM NO.	PART NUMBER	QTY.
1	100A MAIN SWITCH 1P SCHNEIDER A9S66191	1
2	SURGE FILTER-NOVARIS-SSP1-16-15-275	1
3	FUSE LINK -LEGRAND-13310	1
4	FUSE LINK -LEGRAND-13320	3
5	WDU35-35MM TERMINAL	3
6	WEW35-1-LARGE-END-CLAMP	2
7	NE250A-M006X	2

UNLESS NOTED OTHERWISE: 1. Dimensions in millimetres. 2. Deburr and break all sharp edges. Linear Dim's ± 0.5 Hole Diameters $^{+0.1}_{-0.05}$ Angular Dim's $\pm 1^\circ$ All Bends $90^\circ \pm 0.5$		Logix Engineering Pty Ltd 28 Spine St, Sumner Park, QLD, 4074, Australia t: +61 434 034 703 w: www.logixeng.com.au e: tony@logixeng.com.au	Component Type TMR R3LM - 1P POLE MOUNT ENCLOSURE
Linear tolerance C Angular tolerance C Geometry tolerance L	Finish N/A Material STAINLESS STEEL		
Date Printed 16/09/2021 Date Created 16/09/2021		Component / Assembly Description RATE 3 METERED SINGLE PHASE ENCLOSURE	
Checked RJS Author RJS Mass Kgs.		Drawing Status RELEASED FOR MANUFACTURE	Drawing Type A
Scale 1:4 Sheet No. 3 of 4 Sheet size A3		Drawing No. TMR R3LM-1P-SL Drg Rev 1A	



UNLESS NOTED OTHERWISE: 1. Dimensions in millimetres. 2. Deburr and break all sharp edges. Linear Dim's ± 0.5 Hole Diameters $^{+0.1}_{-0.05}$ Angular Dim's $\pm 1^{\circ}$ All Bends $90^{\circ} \pm 0.5$		Logix Engineering Pty Ltd 28 Spine St, Sumner Park, QLD, 4074, Australia t: +61 434 034 703 w: www.logixeng.com.au e: tony@logixeng.com.au	Component Type TMR R3LM - 1P POLE MOUNT ENCLOSURE				
Linear tolerance C Angular tolerance C Geometry tolerance L			Finish BRUSHED	Material STAINLESS STEEL			
RATE 3 METERED SINGLE PHASE ENCLOSURE LINE DIAGRAM							
Date Printed 16/09/2021 Date Created 16/09/2021		AS1100	Drawing Status RELEASED FOR MANUFACTURE		Drawing Type A		
Checked RJS	Author RJS		Mass Kgs.	Scale 1:4	Sheet No. 4 of 4	Sheet size A3	Drawing No. TMR R3LM-1P-SL