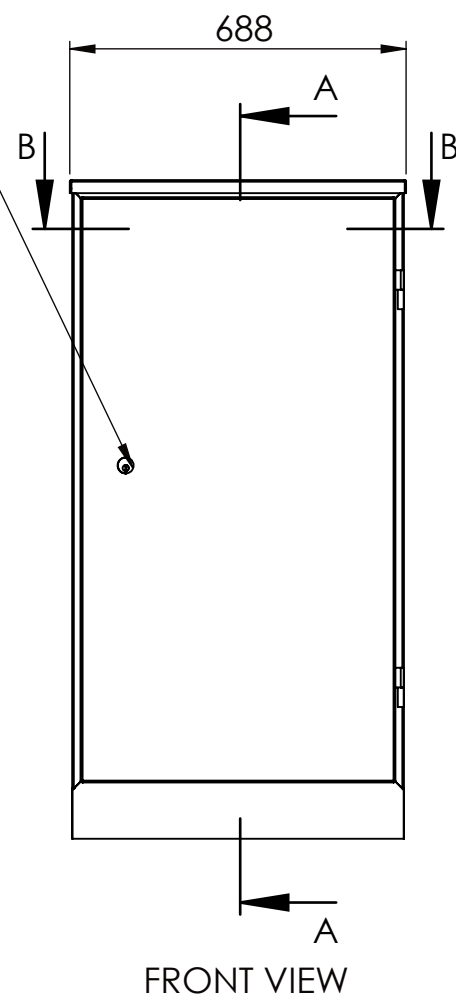
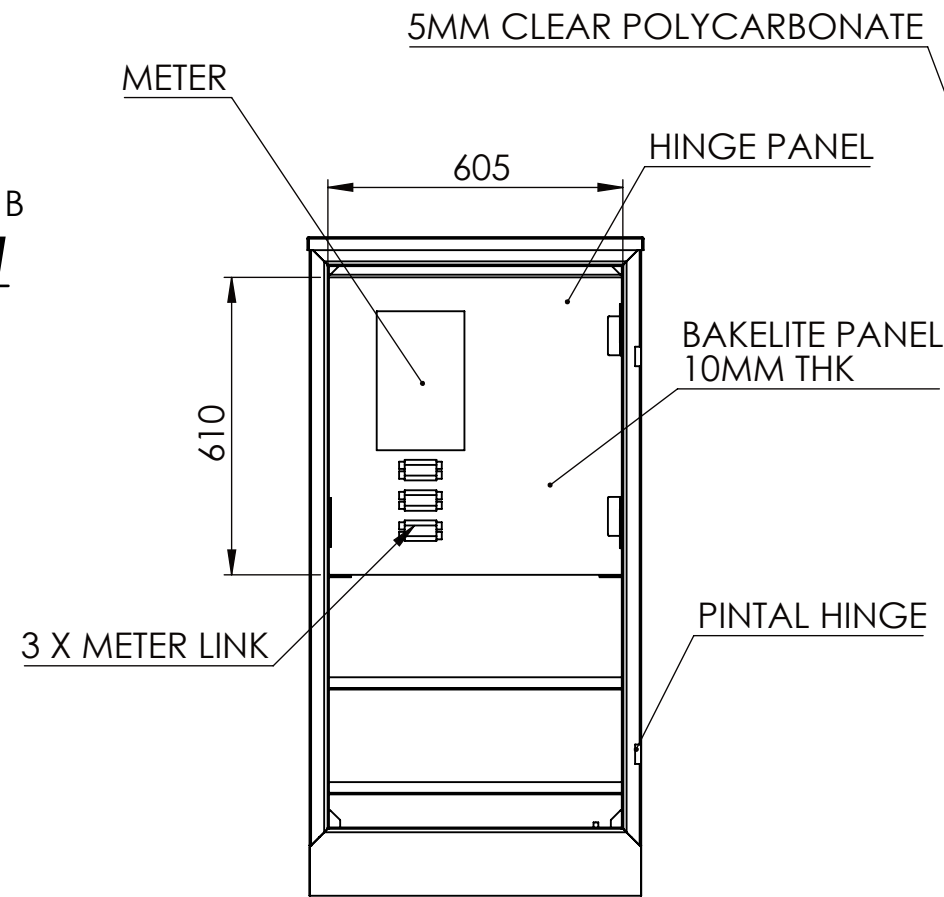


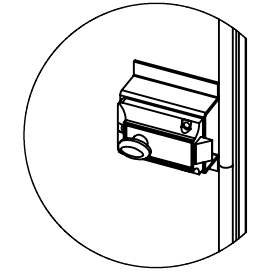
SECTION A-A



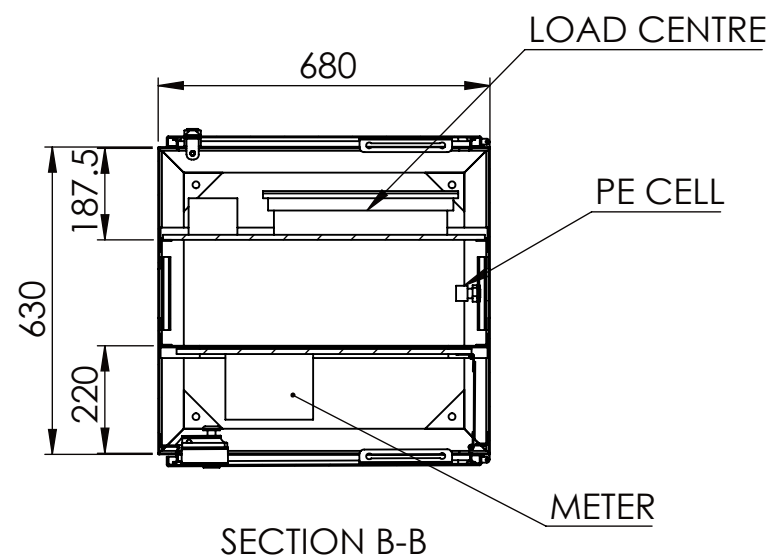
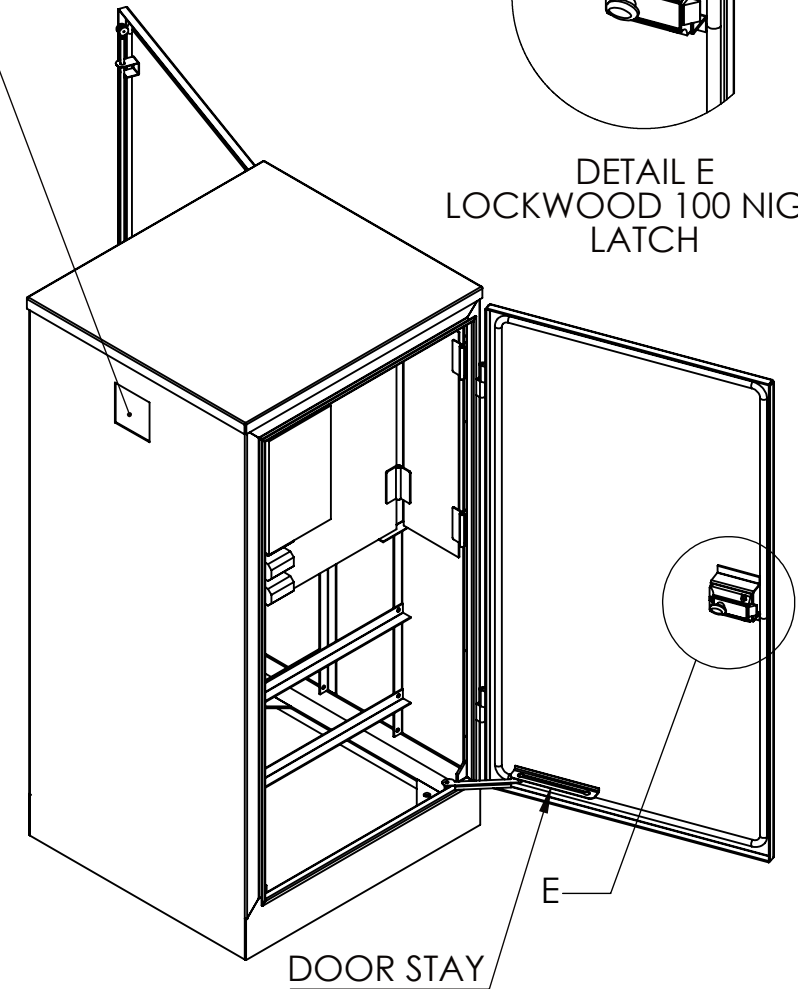
FRONT VIEW



FRONT VIEW DOOR REMOVED



DETAIL E
LOCKWOOD 100 NIGHT LATCH



SECTION B-B

| TYPE | MANUFACTURER | PART # | QTY |
|--------------|-------------------|--------------|-----|
| CABINET | LOGIX ENGINEERING | EDC-RMS-T1 | 1 |
| METER PANEL | INSULECT | N/A | 1 |
| METER LINK | IPD | S71002ABWS | 3 |
| PE HOUSING | RAB MANUFACTURING | PCM2520 | 1 |
| NEUTRAL | NETEC | NE250A-M018X | 1 |
| EARTH | NETEC | NE250A-M006X | 1 |
| NEUTRAL FEET | NETEC | INSF-M5S | 2 |
| BUSBAR | NHP | ICL123 | 1 |

UNLESS NOTED OTHERWISE:
 1. Dimensions in millimetres.
 2. Deburr and break all sharp edges.
 Linear Dim's ± 0.5 Hole Diameters $^{+0.1}_{-0.05}$
 Angular Dim's $\pm 1^\circ$ All Bends $90^\circ \pm 0.5$



Logix Engineering Pty Ltd
 28 Spine St, Sumner Park,
 QLD, 4074, Australia
 t: +61 434 034 703
 w: www.logixeng.com.au
 e: tony@logixeng.com.au

Component Type
EDC-RMS-T1
 Finish **POWDERCOATED OLIVE GREEN** Material **ALUMINIUM 3 mm**

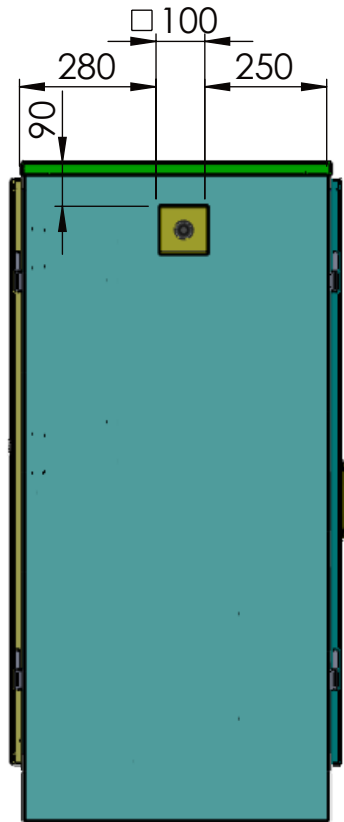
Linear tolerance C
 Angular tolerance C
 Geometry tolerance L

Component / Assembly Description
STREET LIGHTING CONTROL AND SWITCHBOARD CABINET

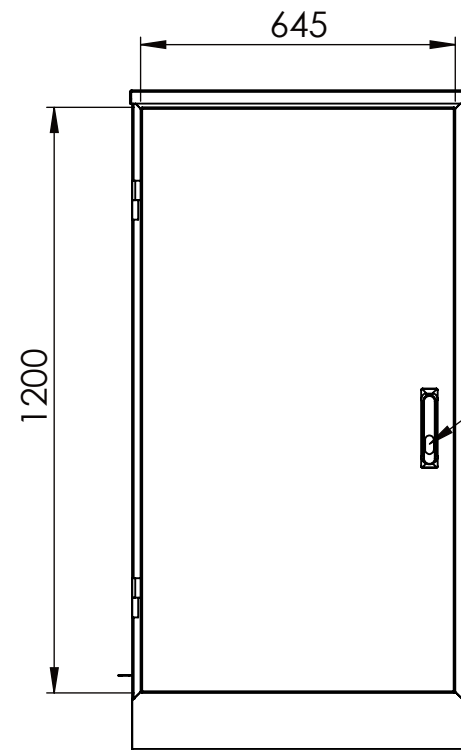
Date Printed **15/09/2021** Date Created **10/09/2019**
 Checked **RJS** Author **RJS** Mass **Kgs.**



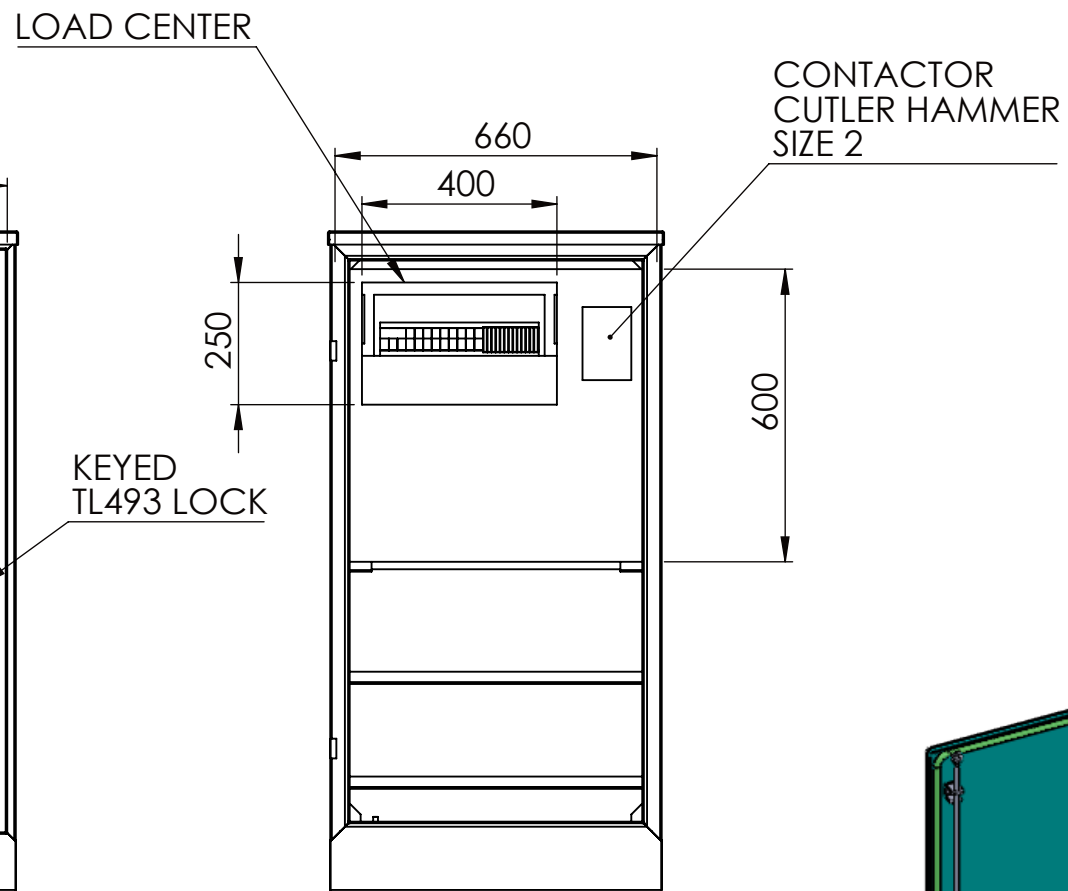
Drawing Status **RELEASED FOR MANUFACTURE** Drawing Type **A**
 Scale **1:15.5** Sheet No. **1 of 4** Sheet size **A3** Drawing No. **RMS-EDC-TI-137070-A004** Drg Rev **2A**



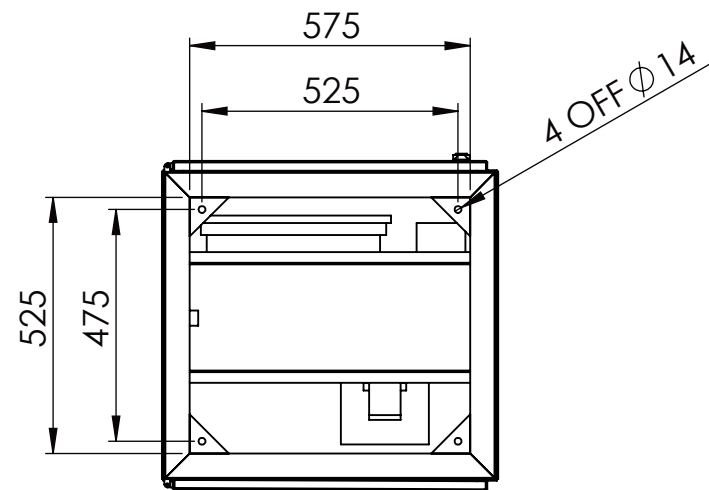
SIDE VIEW



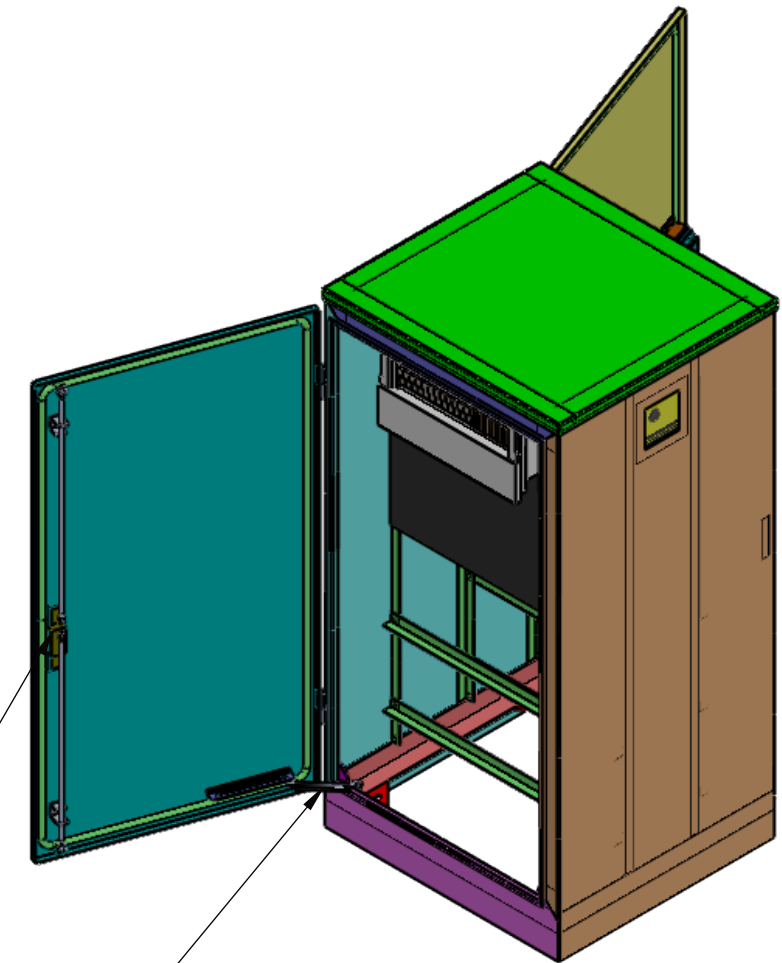
REAR VIEW



REAR VIEW
DOOR REMOVED



BOTTOM VIEW



ISOMETRIC VIEW

UNLESS NOTED OTHERWISE:
 1. Dimensions in millimetres.
 2. Deburr and break all sharp edges.
 Linear Dim's ± 0.5 Hole Diameters $^{+0.1}_{-0.05}$
 Angular Dim's $\pm 1^\circ$ All Bends $90^\circ \pm 0.5$



Logix Engineering Pty Ltd
 28 Spine St, Summer Park,
 QLD, 4074, Australia
 t: +61 434 034 703
 w: www.logixeng.com.au
 e: tony@logixeng.com.au

Component Type
EDC-RMS-T1
 Finish **POWDERCOATED OLIVE GREEN** Material **ALUMINIUM 3 mm**

Linear tolerance C
 Angular tolerance C
 Geometry tolerance L

Component / Assembly Description
STREET LIGHTING CONTROL AND SWITCHBOARD CABINET

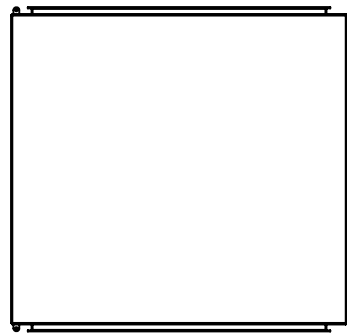
Date Printed 15/09/2021 Date Created 10/09/2019

Drawing Status **RELEASED FOR MANUFACTURE** Drawing Type **A**

Checked RJS Author RJS Mass Kgs.

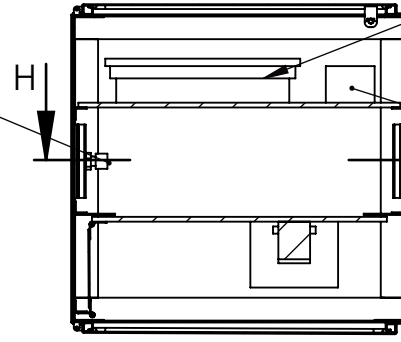
Scale 1:15.5 Sheet No. 2 of 4 Sheet size A3 Drawing No. RMS-EDC-TI-137070-A004 Drg Rev 2A





TOP VIEW

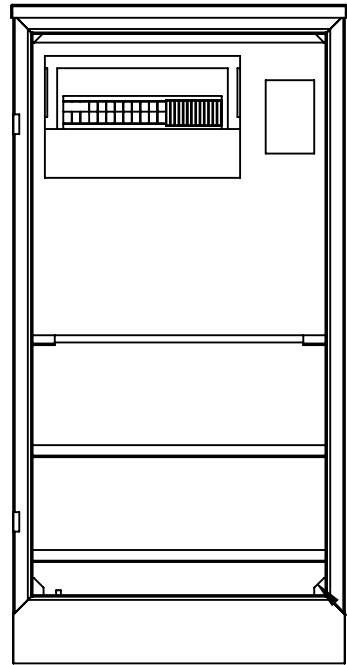
PHOTO CELL
TO BE LOCATED ON EITHER
SIDE TO SUIT SITE AS REQ
TBC



SECTION F-F

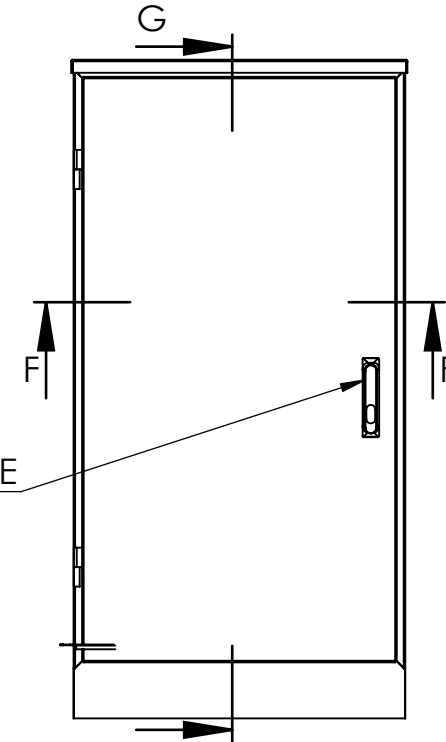
CLIPSAL RMXE118F

CONTACTOR
CUTLER HAMMER
SIZE 2



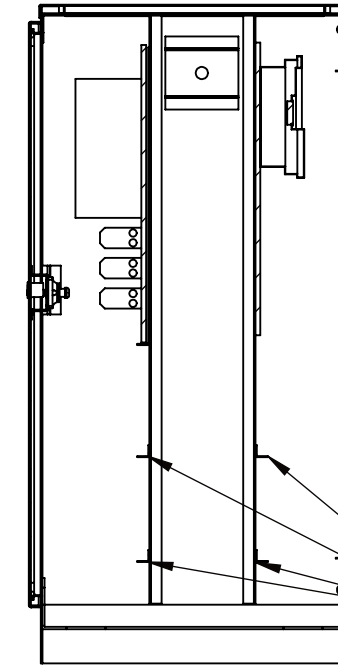
REAR VIEW
DOOR REMOVED

8 OFF 6MM
WELDED GUSSET



REAR VIEW

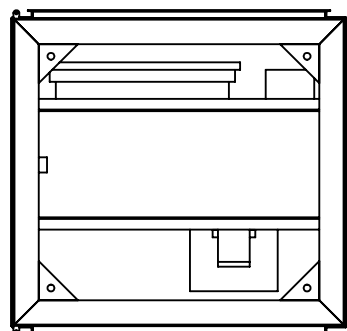
SWING HANDLE



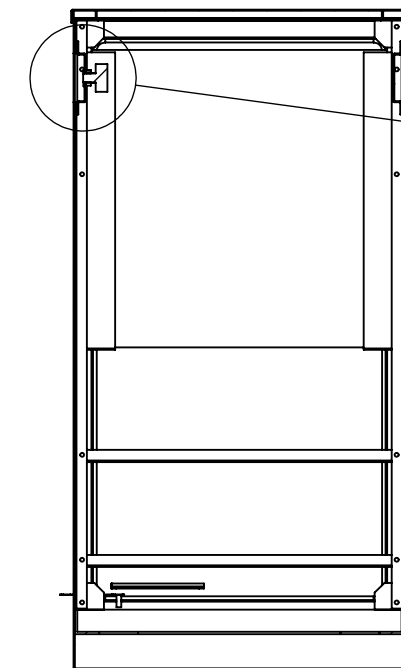
SECTION G-G

3 POINT LOCKING

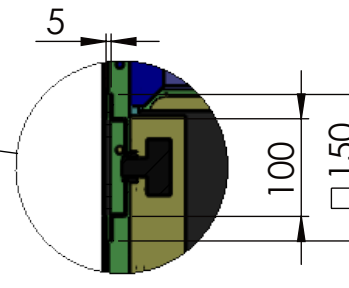
CABLE SUPPORTS 25 X 25 X 3
LOCATED AS REQUIRED



BOTTOM VIEW



SECTION H-H



DETAIL I
PHOTO CELL

UNLESS NOTED OTHERWISE:
1. Dimensions in millimetres.
2. Deburr and break all sharp edges.
Linear Dim's ± 0.5 Hole Diameters $^{+0.1}_{-0.05}$
Angular Dim's $\pm 1^\circ$ All Bends $90^\circ \pm 0.5$



Logix Engineering Pty Ltd
28 Spine St, Sumner Park,
QLD, 4074, Australia
t: +61 434 034 703
w: www.logixeng.com.au
e: tony@logixeng.com.au

Component Type
EDC-RMS-T1

Finish **POWDERCOATED OLIVE GREEN** Material **ALUMINIUM 3 mm**

Linear tolerance C
Angular tolerance C
Geometry tolerance L

Component / Assembly Description
STREET LIGHTING CONTROL AND SWITCHBOARD CABINET

Date Printed **15/09/2021** Date Created **10/09/2019**



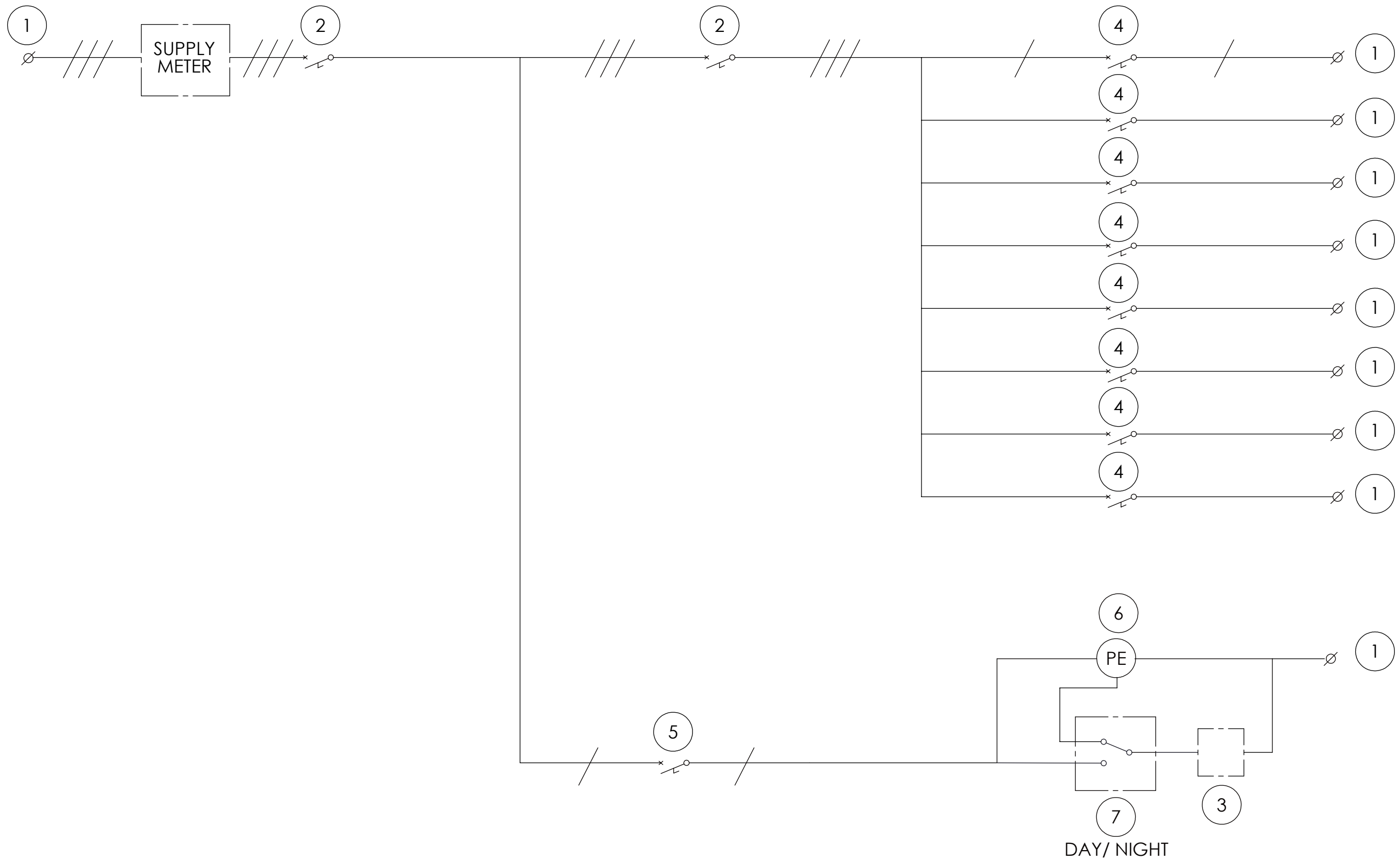
Drawing Status
RELEASED FOR MANUFACTURE

Drawing Type
A

Checked **RJS** Author **RJS** Mass **Kgs.**

Scale **1:15.5** Sheet No. **3 of 4** Sheet size **A3**

Drawing No. **RMS-EDC-TI-137070-A004** Drg Rev **2A**



| | | | | |
|---|---------------------|---------------|----------|----|
| 1 | TERMINALS | WEIDMULLER | 35 SQmm | 10 |
| 2 | 3 POLE 63A MCB | SCHNEIDER | A9F53363 | 2 |
| 3 | LIGHTING CONTACTOR | EATON | SIZE 2 | 1 |
| 4 | 1 POLE 20A MCB 10KA | SCHNEIDER | A9F54120 | 8 |
| 5 | 1 POLE 6A MCB 10KA | SCHNEIDER | A9F54106 | 1 |
| 6 | PE CELL | ROYCE TOMPSON | 2000 ST | 1 |
| 7 | BYPASS | LEGRAND | O4382 | 1 |

UNLESS NOTED OTHERWISE:
 1. Dimensions in millimetres.
 2. Deburr and break all sharp edges.

| | |
|-------------------------------|----------------------------------|
| Linear Dim's ± 0.5 | Hole Diameters $^{+0.1}_{-0.05}$ |
| Angular Dim's $\pm 1^{\circ}$ | All Bends $90^{\circ} \pm 0.5$ |
| Linear tolerance | C |
| Angular tolerance | C |
| Geometry tolerance | L |

Date Printed: **15/09/2021** Date Created: **10/09/2019**

| | | |
|---------------------|--------------------|-------------------|
| Checked: RJS | Author: RJS | Mass: Kgs. |
|---------------------|--------------------|-------------------|

| | | |
|---------------------------------------------------------------------------------------------------------|-----------------------------------------------------------------------------------------------------------------------------------------------------------|-------------------------------------|
| | Logix Engineering Pty Ltd 28 Spine St, Sumner Park, QLD, 4074, Australia t: +61 434 034 703 w: www.logixeng.com.au e: tony@logixeng.com.au | Component Type EDC-RMS-T1 |
| | Finish: N/A | Material: N/A |
| Component / Assembly Description STREET LIGHTING CONTROL AND SWITCHBOARD CABINET LINE DIAGRAM | | |
| Drawing Status RELEASED FOR MANUFACTURE | Drawing No. RMS-EDC-TI-137070-A004 | Drawing Type A |
| Scale: 1:15.5 | Sheet No.: 4 of 4 | Sheet size: A3 |
| | Drg Rev 2A | |