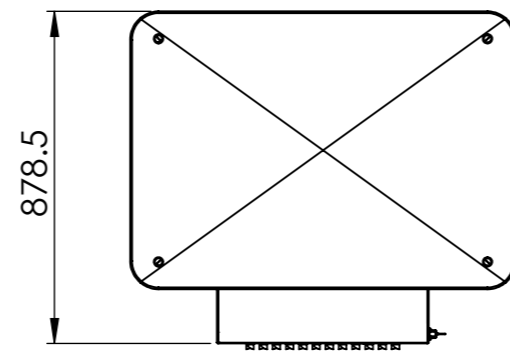
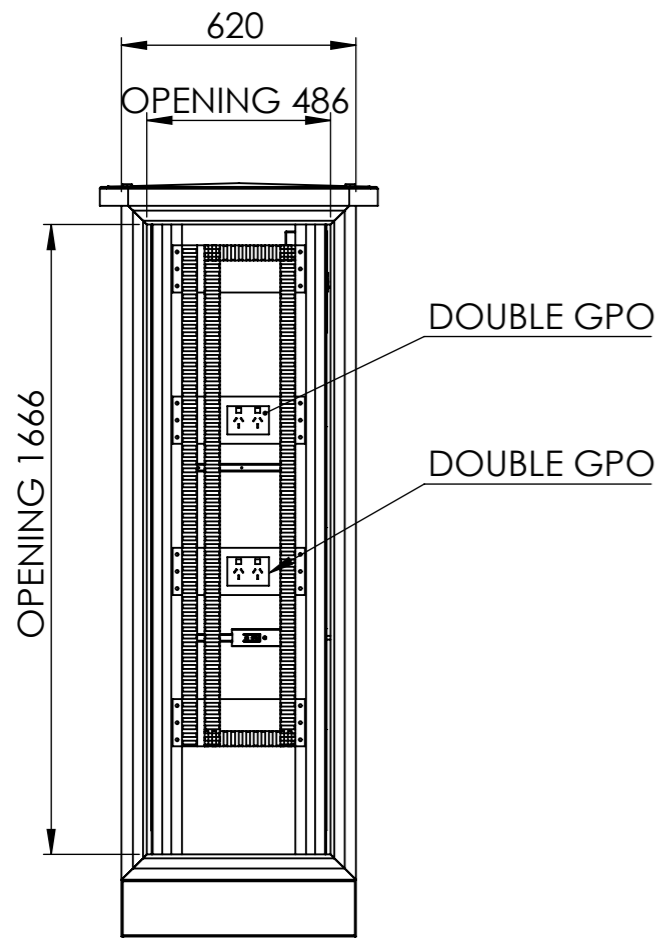


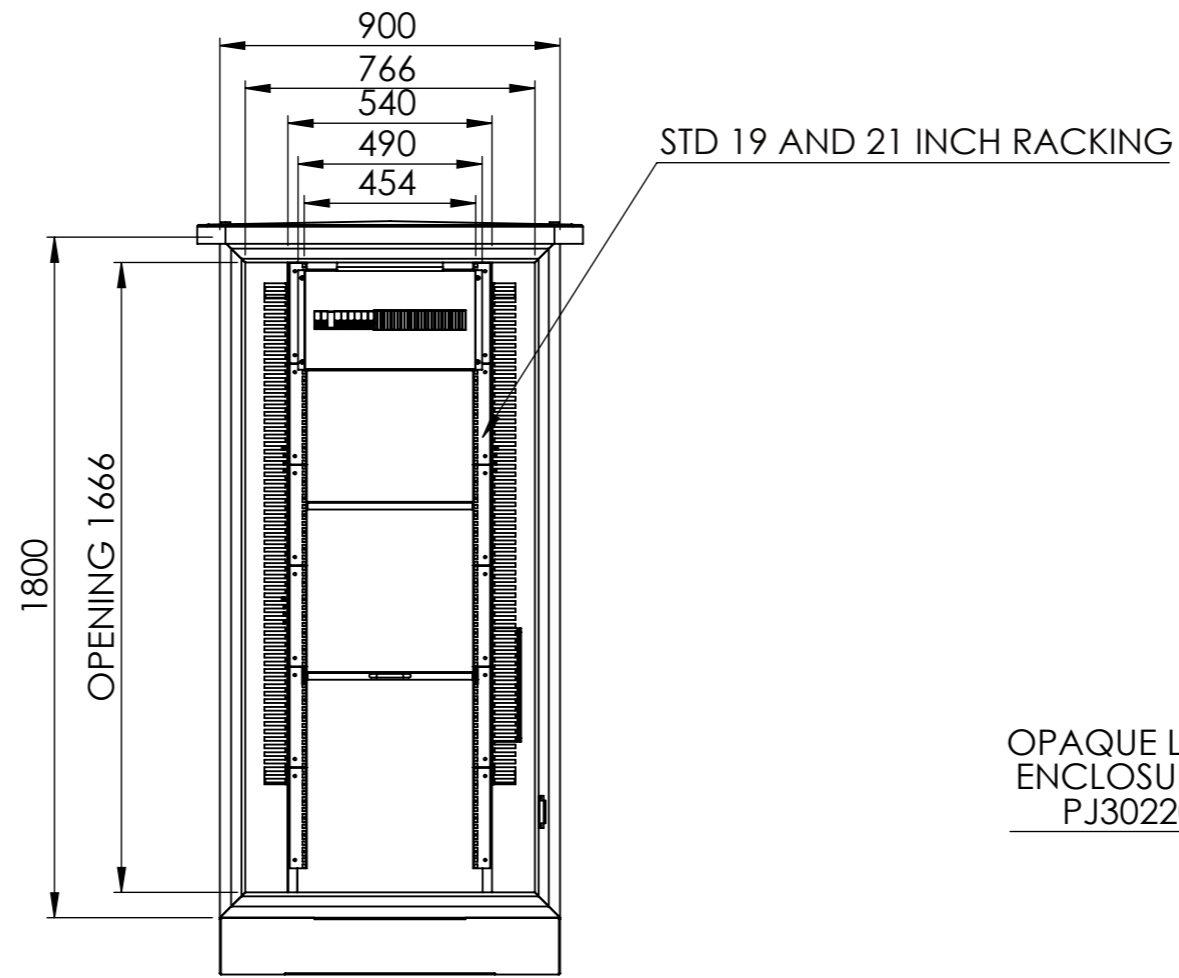
<b>UNLESS NOTED OTHERWISE:</b> 1. Dimensions in millimetres. 2. Deburr and break all sharp edges. Linear Dim's $\pm 0.5$ Hole Diameters $^{+0.1}_{-0.05}$ Angular Dim's $\pm 1^\circ$ All Bends $90^\circ \pm 0.5$			Logix Engineering Pty Ltd 28 Spine St, Sumner Park, QLD, 4074, Australia t: +61 434 034 703 w: www.logixeng.com.au e: tony@logixeng.com.au	Component Type <b>ITDS180906-AC20</b>
Linear tolerance C Angular tolerance C Geometry tolerance L	Component / Assembly Description <b>ITDS180906-AC20 ASSEMBLY</b>	Finish <b>POWDERCOATED T33</b> Material <b>ALUM 2.5mm</b>		
Date Printed <b>22/09/2021</b> Date Created <b>22/09/2021</b>		Drawing Status <b>RELEASED FOR MANUFACTURE</b>	Drawing Type <b>A</b>	
Checked <b>RJS</b> Author <b>RJS</b> Mass <b>N/A</b>	Scale <b>1:20</b> Sheet No. <b>1 of 3</b> Sheet size <b>A3</b>	Drawing No. <b>ITDS180906-AC20</b>	Drg Rev <b>1A</b>	



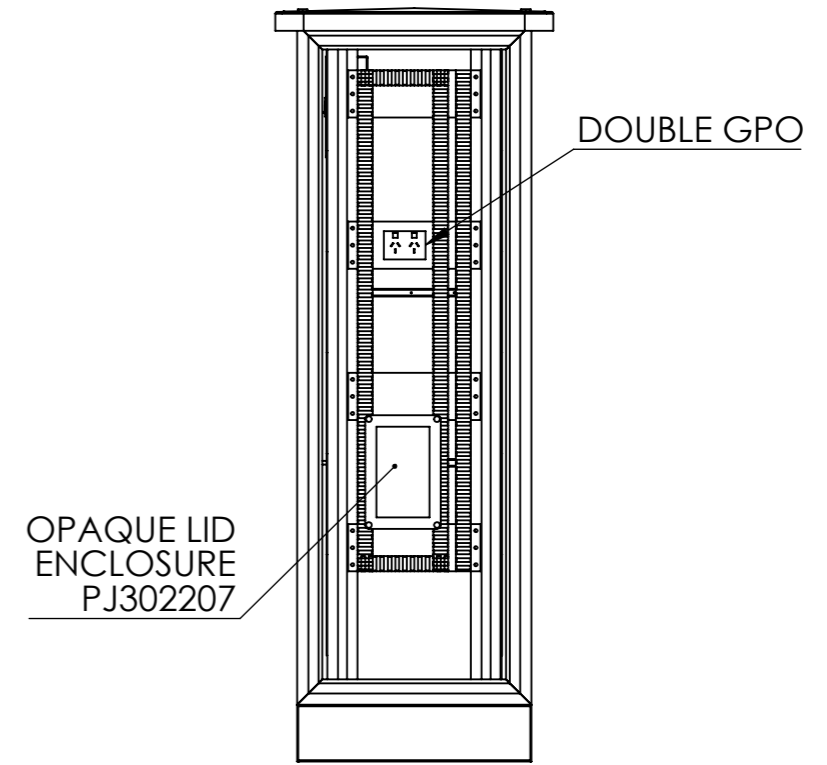
TOP VIEW



SIDE VIEW



FRONT VIEW



SIDE VIEW

UNLESS NOTED OTHERWISE:  
 1. Dimensions in millimetres.  
 2. Deburr and break all sharp edges.

Linear Dim's  $\pm 0.5$  Hole Diameters  $^{+0.1}_{-0.05}$   
 Angular Dim's  $\pm 1^\circ$  All Bends  $90^\circ \pm 0.5$

Linear tolerance C  
 Angular tolerance C  
 Geometry tolerance L

Date Printed **22/09/2021** Date Created **22/09/2021**

Checked **RJS** Author **RJS** Mass **N/A**



Logix Engineering Pty Ltd  
 28 Spine St, Sumner Park,  
 QLD, 4074, Australia  
 t: +61 434 034 703  
 w: www.logixeng.com.au  
 e: tony@logixeng.com.au

Component / Assembly Description  
**ITDS180906-AC20 ASSEMBLY**



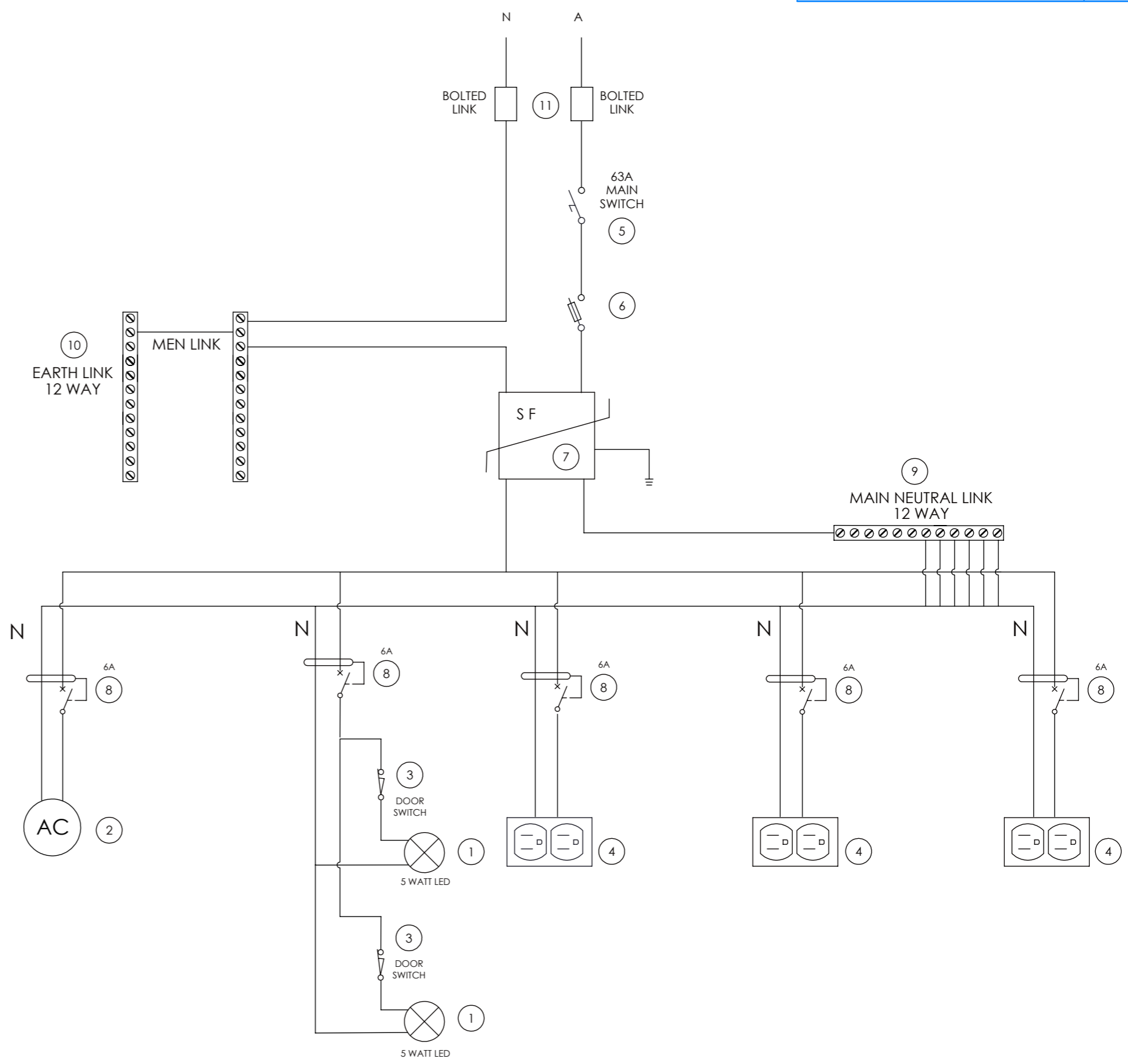
Component Type  
**ITDS180906-AC20**

Finish **POWDERCOATED T33** Material **ALUM 2.5mm**

Drawing Status  
**RELEASED FOR MANUFACTURE**

Scale **1:20** Sheet No. **2 of 3** Sheet size **A3** Drawing No. **ITDS180906-AC20** Drg Rev **1A**

Drawing Type  
**A**



ITEM No	DESCRIPTION	SUPPLIER	PART No	QTY
1	LIGHT	SAL	SL9706/280TC	2
2	2000 WATT AC	ENVICOOL	EC 20	1
3	DOOR SWITCH	SCHNEIDER	XCK	2
4	RCD GPO	CLIPSAL	2025RCD30WE	3
5	MAIN SWITCH	SCHNEIDER	A9S66163	1
6	1P HRC FUSE	LEGRAND	5808	1
7	SURGE FILTER	NOVARIS	SFD1-20-50-275A	1
8	6A RCBO	SCHNEIDER	A9D61806	5
9	NEUTRAL	NETEC	NE32F012X	1
10	EARTH	NETEC	NE32F012X	2
11	MAINS TERMINAL	WEIDMULLET	WFF70	2

**UNLESS NOTED OTHERWISE:**  
 1. Dimensions in millimetres.  
 2. Deburr and break all sharp edges.  
 Linear Dim's  $\pm 0.5$  Hole Diameters  $^{+0.1}_{-0.05}$   
 Angular Dim's  $\pm 1^\circ$  All Bends  $90^\circ \pm 0.5$

**LOGIX ENGINEERING** Logix Engineering Pty Ltd  
 28 Spine St, Sumner Park, QLD, 4074, Australia  
 t: +61 434 034 703 w: www.logixeng.com.au e: tony@logixeng.com.au

Component Type **ITDS180906-AC20**  
 Finish **POWDERCOATED** Material **ALUMINIUM 2.5mm**

Component / Assembly Description **ITDS180906-AC20 LINE DIAGRAM**

Date Printed **22/09/2021** Date Created **22/09/2021** Drawing Status **RELEASED FOR MANUFACTURE** Drawing Type **A**

Checked **RJS** Author **RJS** Mass **N/A** AS1100 Scale **1:10** Sheet No. **3 of 3** Sheet size **A3** Drawing No. **ITDS180906-AC20** Drg Rev **1A**