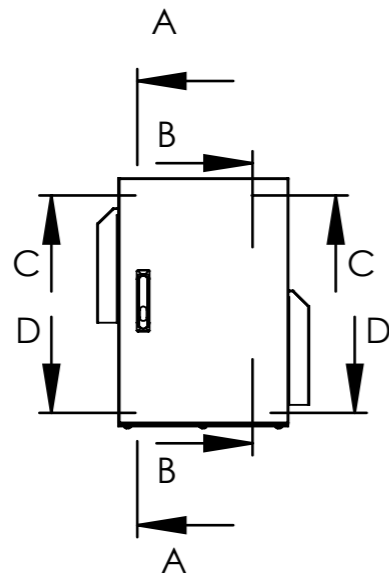
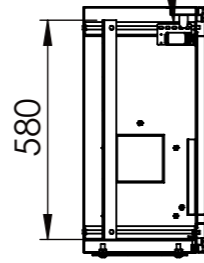


SECTION C-C

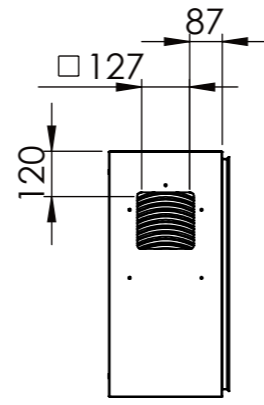


SECTION A-A

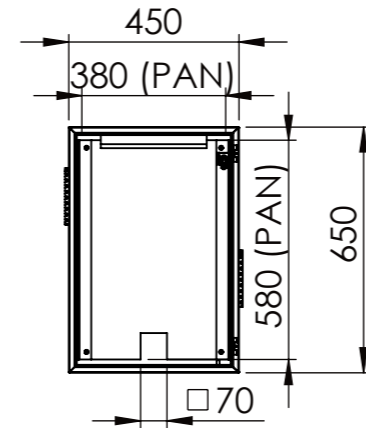
LIMIT SWITCH



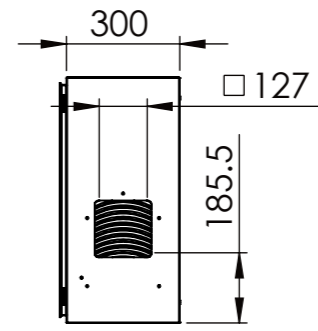
SECTION B-B



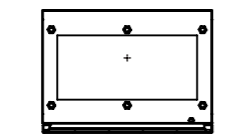
SIDE VIEW



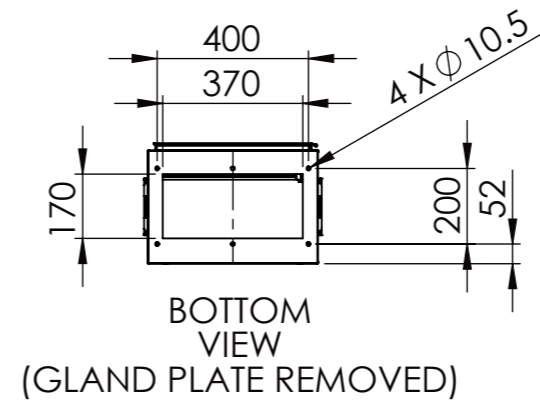
FRONT VIEW



SIDE VIEW

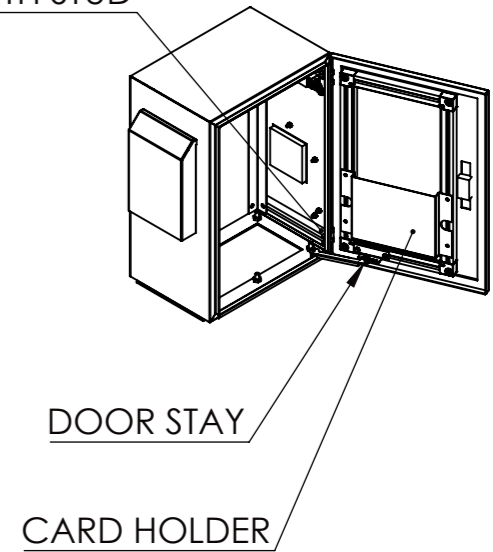


SECTION D-D



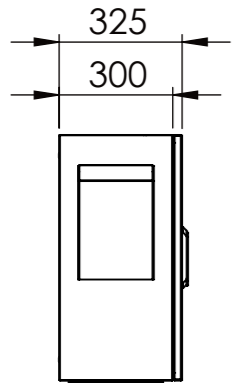
BOTTOM VIEW (GLAND PLATE REMOVED)

M6 X 20 SS EARTH STUD

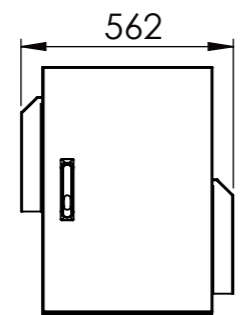


DOOR STAY

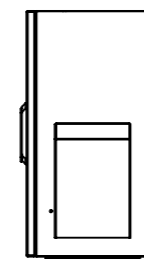
CARD HOLDER



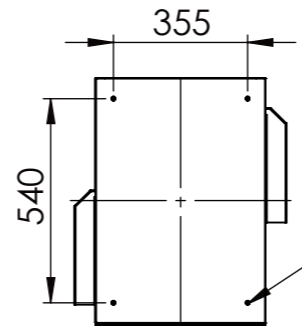
SIDE VIEW



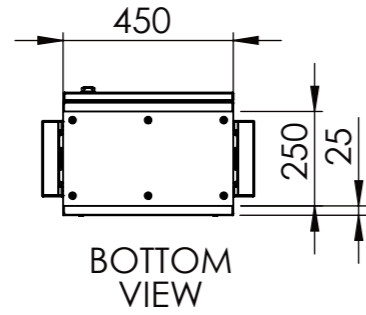
FRONT VIEW



SIDE VIEW



REAR VIEW



BOTTOM VIEW

UNLESS NOTED OTHERWISE:
 1. Dimensions in millimetres.
 2. Deburr and break all sharp edges.

Linear Dim's	±0.5	Hole Diameters	^{+0.1} _{-0.05}
Angular Dim's	±1°	All Bends	90° ±0.5

Linear tolerance	C
Angular tolerance	C
Geometry tolerance	L

Date Printed: 23/11/2020 Date Created: 8/25/2020

Checked	Author	Mass
RJS	RJS	Kgs.

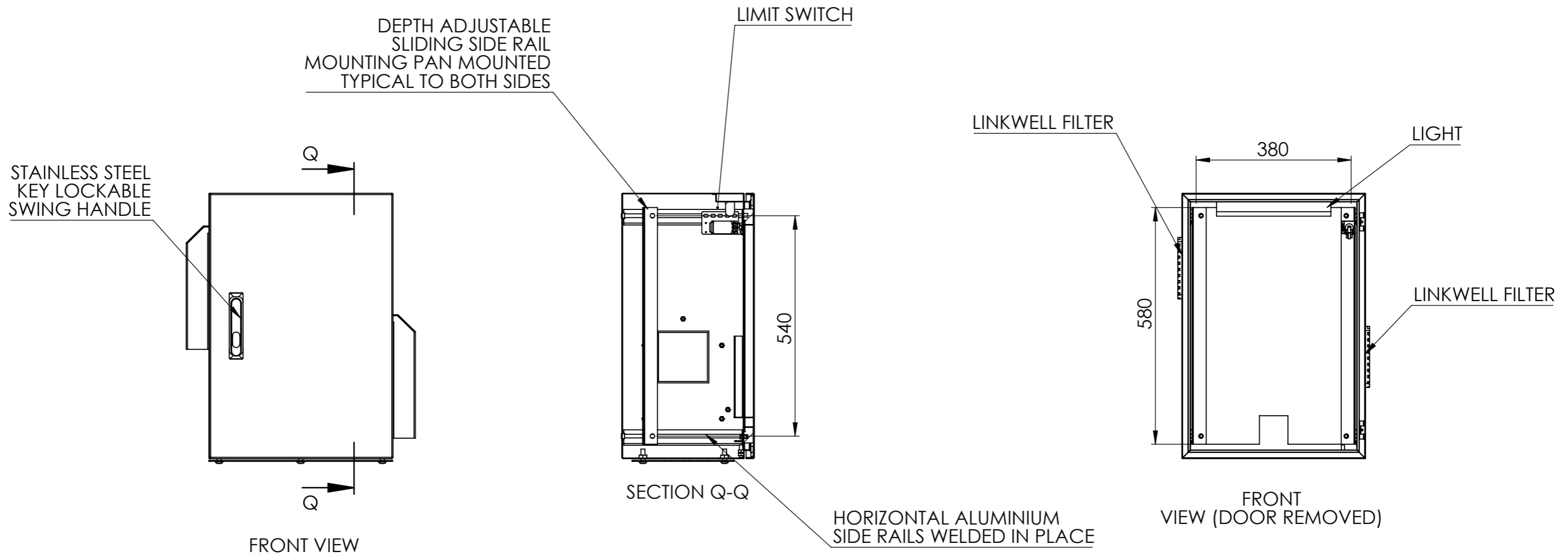
LOGIX ENGINEERING

Logix Engineering Pty Ltd
 28 Spine St, Sumner Park,
 QLD, 4074, Australia
 t: +61 434 034 703
 w: www.logixeng.com.au
 e: tony@logixeng.com.au

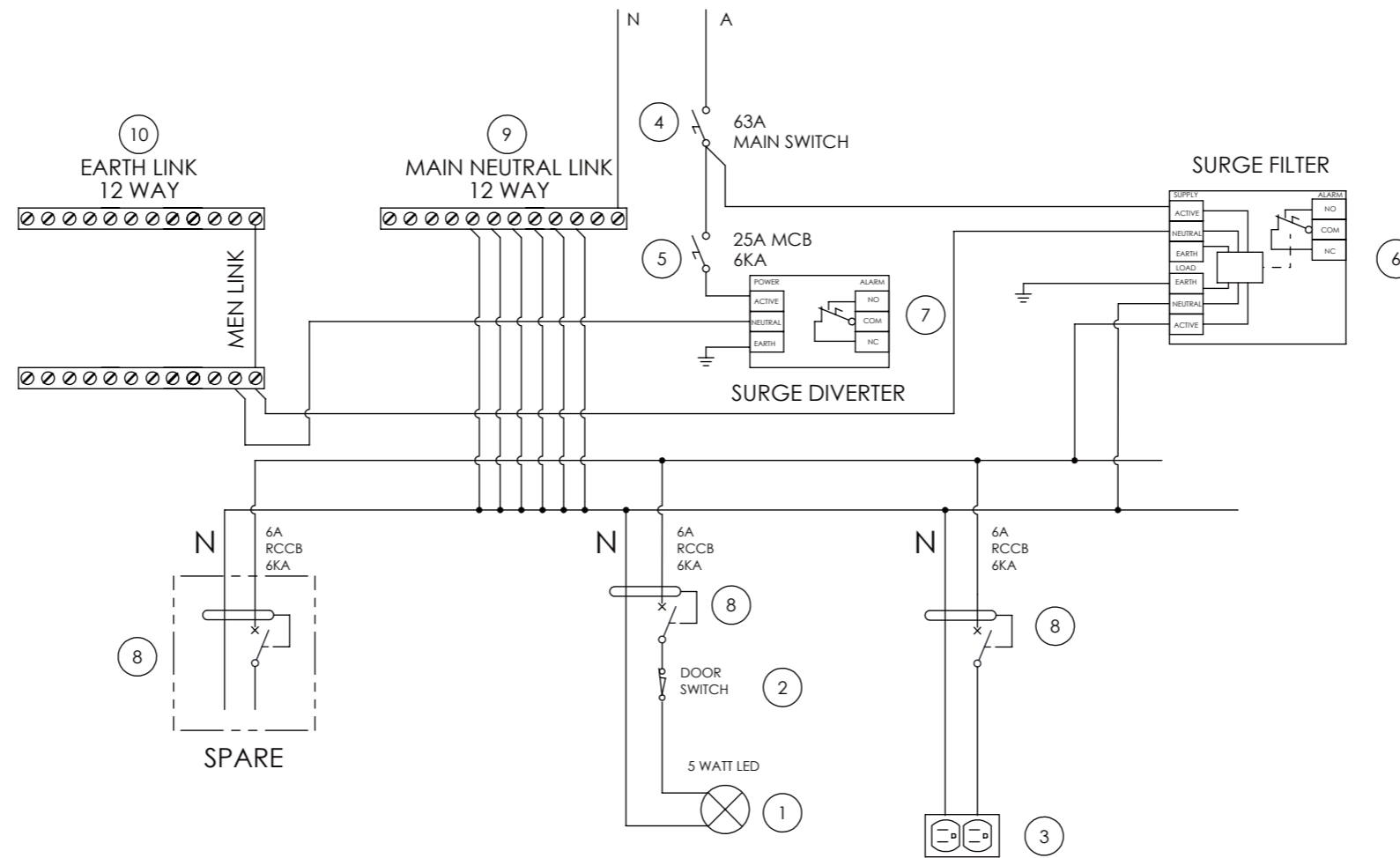
Component / Assembly Description
POLE MOUNT ENCLOSURE

AS1100

Component Type	PME ENCLOSURE	
Finish	POWDERCOATED T33 SMOKE BLUE	Material ALUMINIUM 2mm
Drawing Status	RELEASED FOR MANUFACTURE	
Scale	1:20	Sheet No. 1 of 3
Sheet size	A3	Drawing No. VR-PME-ASSEMBLY-654530/A
Drawing Type	A	Drg Rev 2A



UNLESS NOTED OTHERWISE: 1. Dimensions in millimetres. 2. Deburr and break all sharp edges.			Logix Engineering Pty Ltd 28 Spine St, Sumner Park, QLD, 4074, Australia t: +61 434 034 703 w: www.logixeng.com.au e: tony@logixeng.com.au		Component Type PME ENCLOSURE
Linear Dim's ± 0.5 Angular Dim's $\pm 1^\circ$	Hole Diameters $^{+0.1}_{-0.05}$ All Bends $90^\circ \pm 0.5$		Finish POWDERCOATED T33 SMOKE BLUE	Material ALUMINIUM 2mm	
Linear tolerance C Angular tolerance C Geometry tolerance L	Component / Assembly Description POLE MOUNT ENCLOSURE				
Date Printed 23/11/2020 Checked RJS	Date Created 8/25/2020 Author RJS		Drawing Status RELEASED FOR MANUFACTURE	Drawing Type A	
Mass Kgs.	Scale 1:10	Sheet No. 2 of 3	Sheet size A3	Drawing No. VR-PME-ASSEMBLY-654530/A Drg Rev 2A	



ITEM No	DESCRIPTION	SUPPLIER	PART No	QTY
1	LIGHT	SAL	SL9706/280TC	1
2	DOOR SWITCH	SCHNEIDER	XCK	1
3	GPO	CLIPSAL	2020	1
4	MAIN SWITCH	SCHNEIDER	A9S66163	1
5	25AMCB	SCHNEIDER	A9F44125	1
6	SURGE FILTER	NOVARIS	SFD1-20-50-275A	1
7	SURGE DIVERTER	NOVARIS	SDD1-100-275-A	1
8	6A RCBO	SCHNEIDER	A9D61806	3
9	NEUTRAL	NETEC	NE32F012X	1
12	EARTH	NETEC	NE32F012X	1
11	NEUTRAL FEET	NETEC	INSF-M55	2

UNLESS NOTED OTHERWISE:
 1. Dimensions in millimetres.
 2. Deburr and break all sharp edges.
 Linear Dim's ± 0.5 Hole Diameters $^{+0.1}_{-0.05}$
 Angular Dim's $\pm 1^\circ$ All Bends $90^\circ \pm 0.5$

Checked **RJS** Author **RJS** Mass **Kgs.**

LOGIX ENGINEERING Logix Engineering Pty Ltd
 28 Spine St, Sumner Park, QLD, 4074, Australia
 t: +61 434 034 703 w: www.logixeng.com.au e: tony@logixeng.com.au

Component / Assembly Description
POLE MOUNT ENCLOSURE

Date Printed **23/11/2020** Date Created **8/25/2020**

Scale **1:10** Sheet No. **3 of 3** Sheet size **A3**

Component Type
PME ENCLOSURE

Finish **POWDERCOATED** Material **ALUMINIUM 2mm**

Drawing Status
RELEASED FOR MANUFACTURE

Drawing Type
A

Drawing No. **VR-PME-ASSEMBLY-654530/A** Drg Rev **2A**