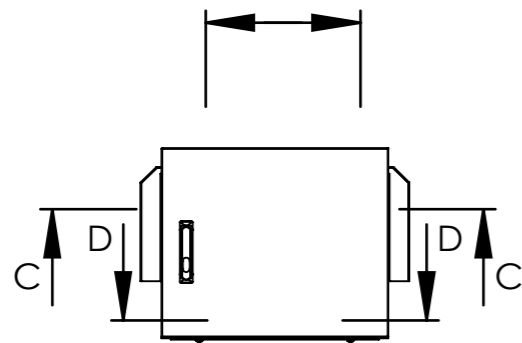
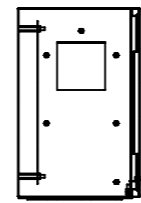


SECTION C-C

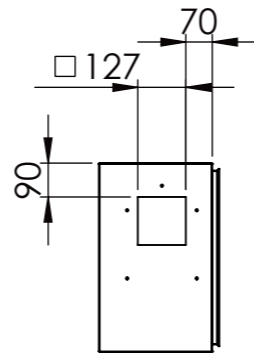
A B



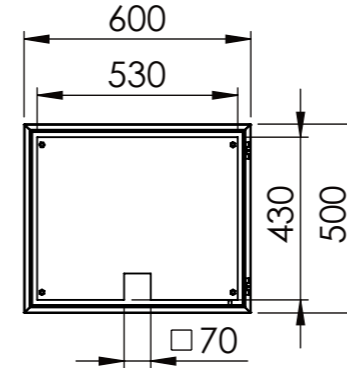
SECTION A-A



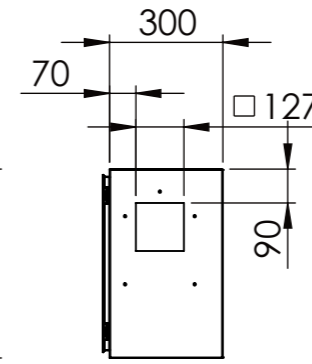
SECTION B-B



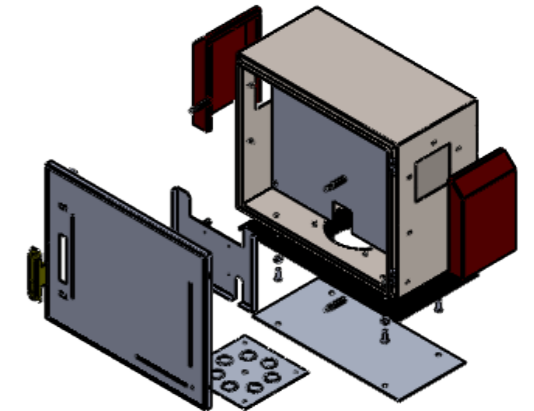
SIDE VIEW



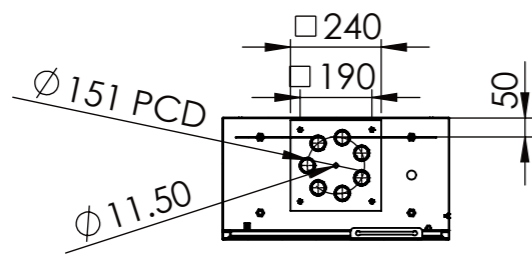
FRONT VIEW



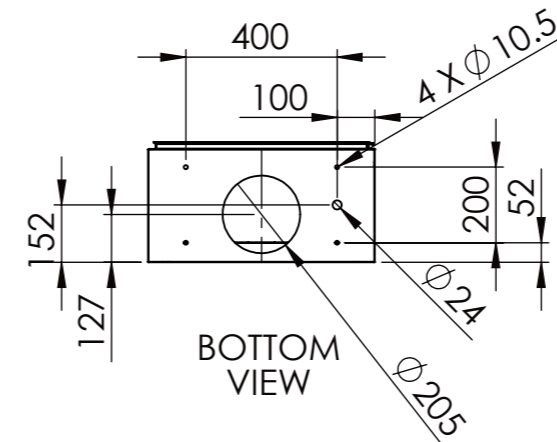
SIDE VIEW



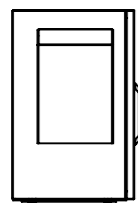
A B



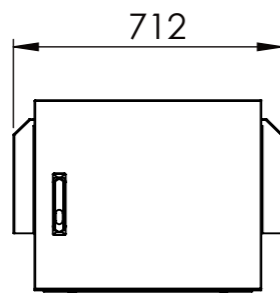
SECTION D-D



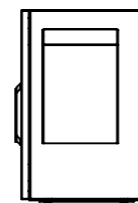
BOTTOM VIEW



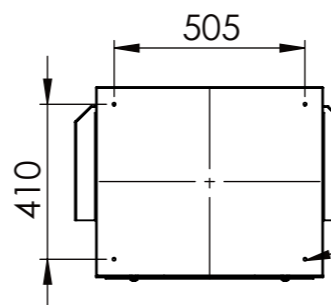
SIDE VIEW



FRONT VIEW



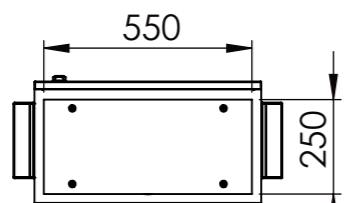
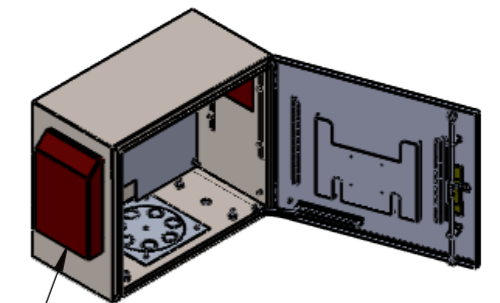
SIDE VIEW



REAR VIEW

4 OFF M8 S/S NUTSERT

STAINLESS STEEL VERMIN MESH TO UNDERSIDE OF ALL EXTERNAL HOODS



BOTTOM VIEW

UNLESS NOTED OTHERWISE:

1. Dimensions in millimetres.
 2. Deburr and break all sharp edges.
- Linear Dim's ± 0.5 Hole Diameters $^{+0.1}_{-0.05}$
 Angular Dim's $\pm 1^\circ$ All Bends $90^\circ \pm 0.5$



Logix Engineering Pty Ltd
 28 Spine St, Sumner Park,
 QLD, 4074, Australia
 t: +61 434 034 703
 w: www.logixeng.com.au
 e: tony@logixeng.com.au

Component Type
PME ENCLOSURE

Finish **N/4**

Material
1.5mm

Linear tolerance C
 Angular tolerance C
 Geometry tolerance L

Component / Assembly Description
POLE MOUNT ENCLOSURE

Date Printed **5/18/2020** Date Created **5/18/2020**

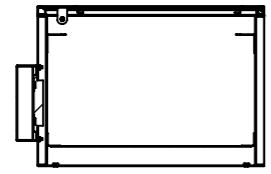
Checked **RJS** Author **RJS** Mass **Kgs.**



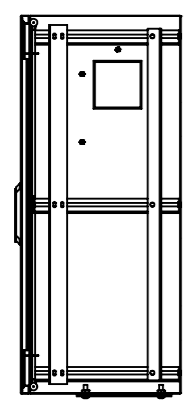
Drawing Status
RELEASED FOR MANUFACTURE

Scale **1:20** Sheet No. **1 of 1** Sheet size **A3** Drawing No.

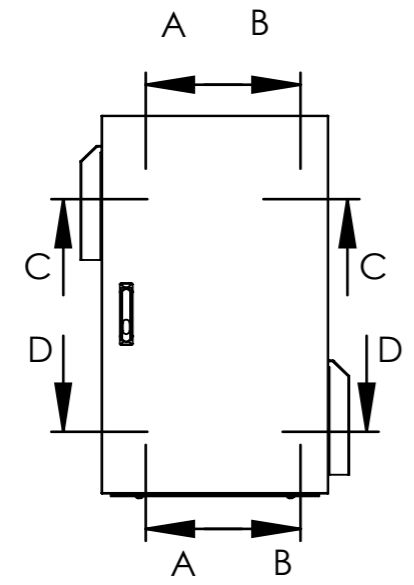
Drawing Type
PME-050603/S 1A



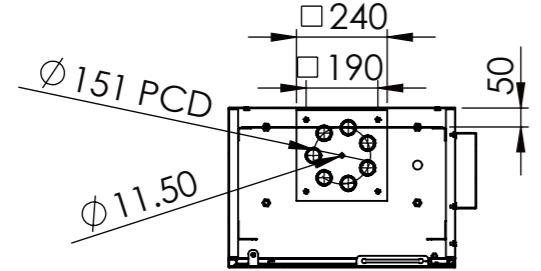
SECTION C-C



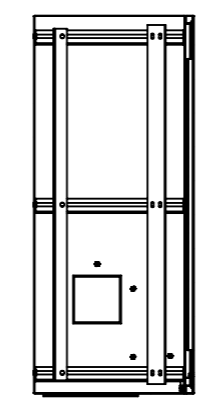
SECTION A-A



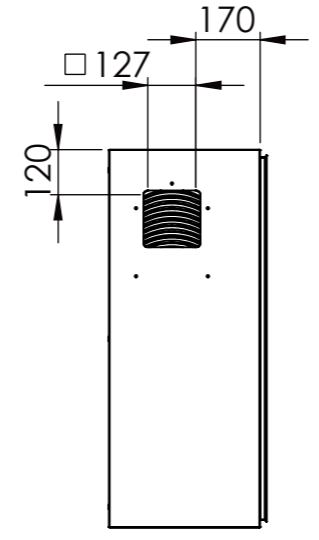
SECTION D-D



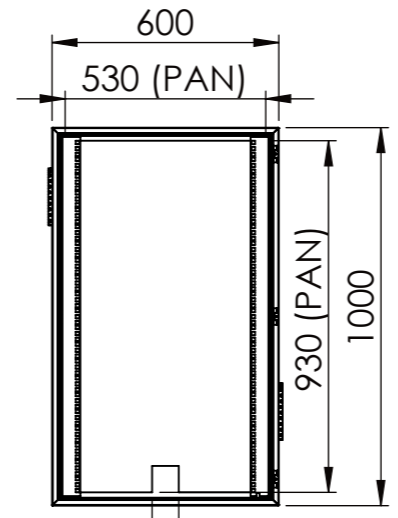
SECTION D-D



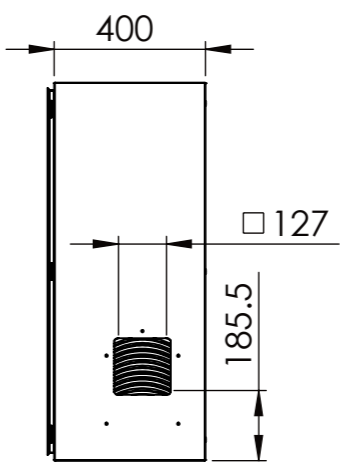
SECTION B-B



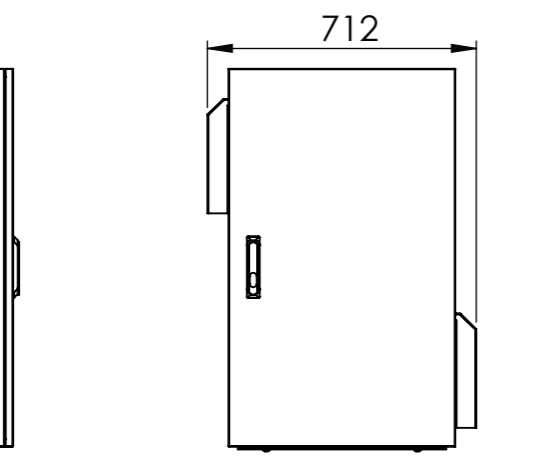
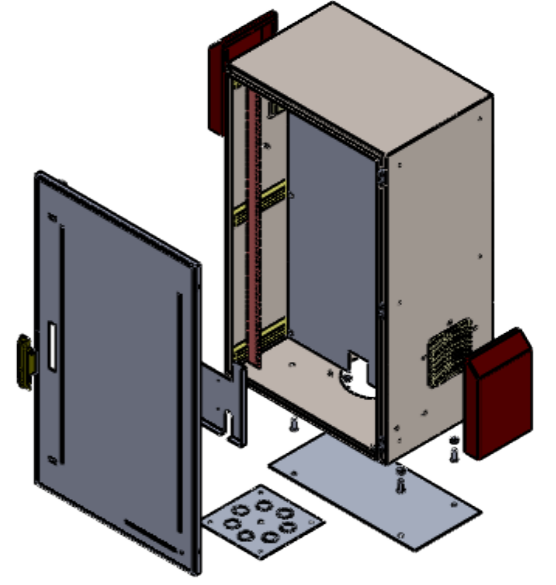
SIDE VIEW



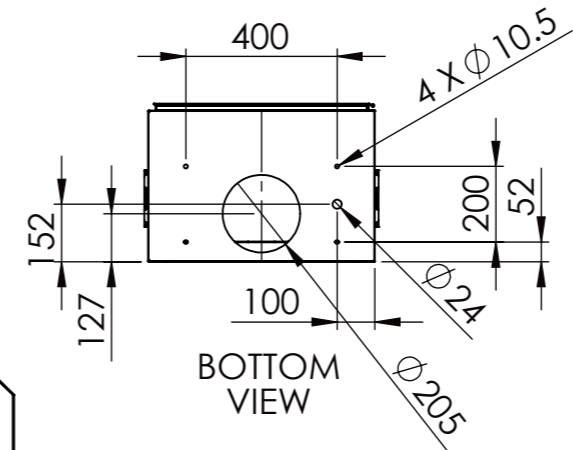
FRONT VIEW



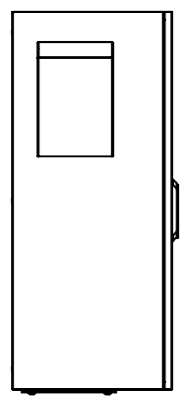
SIDE VIEW



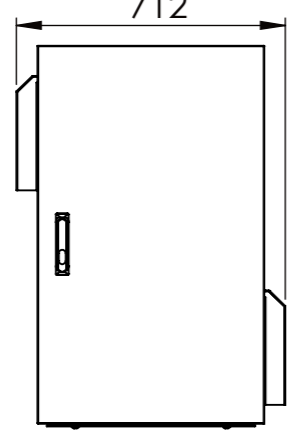
FRONT VIEW



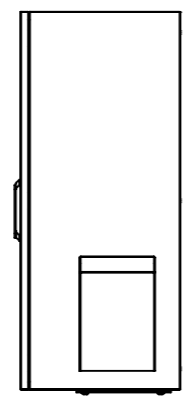
BOTTOM VIEW



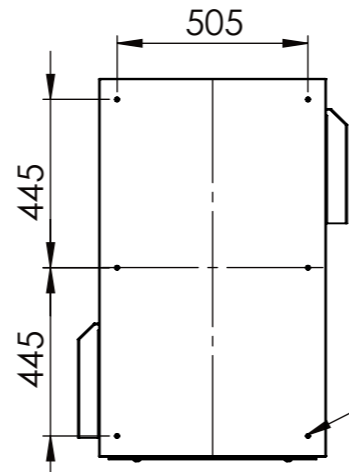
SIDE VIEW



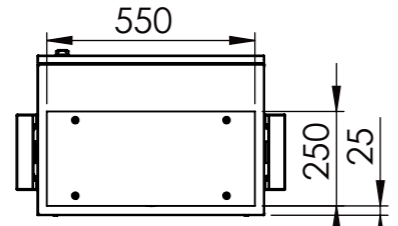
FRONT VIEW



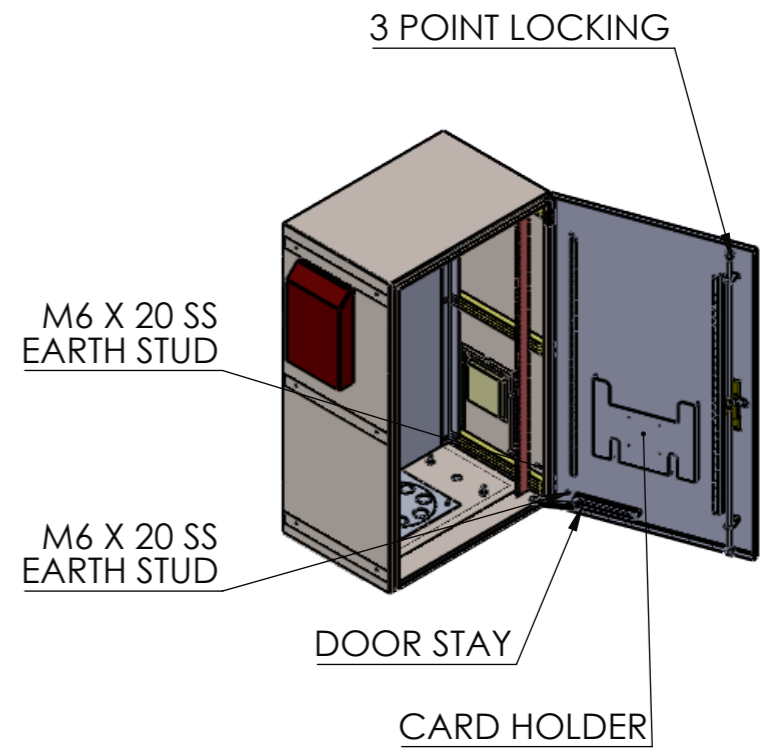
SIDE VIEW



REAR VIEW



BOTTOM VIEW



UNLESS NOTED OTHERWISE:
 1. Dimensions in millimetres.
 2. Deburr and break all sharp edges.

Linear Dim's	±0.5	Hole Diameters	+0.1 -0.05
Angular Dim's	±1°	All Bends	90° ±0.5

Linear tolerance	C
Angular tolerance	C
Geometry tolerance	L

Date Printed: **8/25/2020** Date Created: **8/25/2020**

Checked	Author	Mass
RJS	RJS	Kgs.

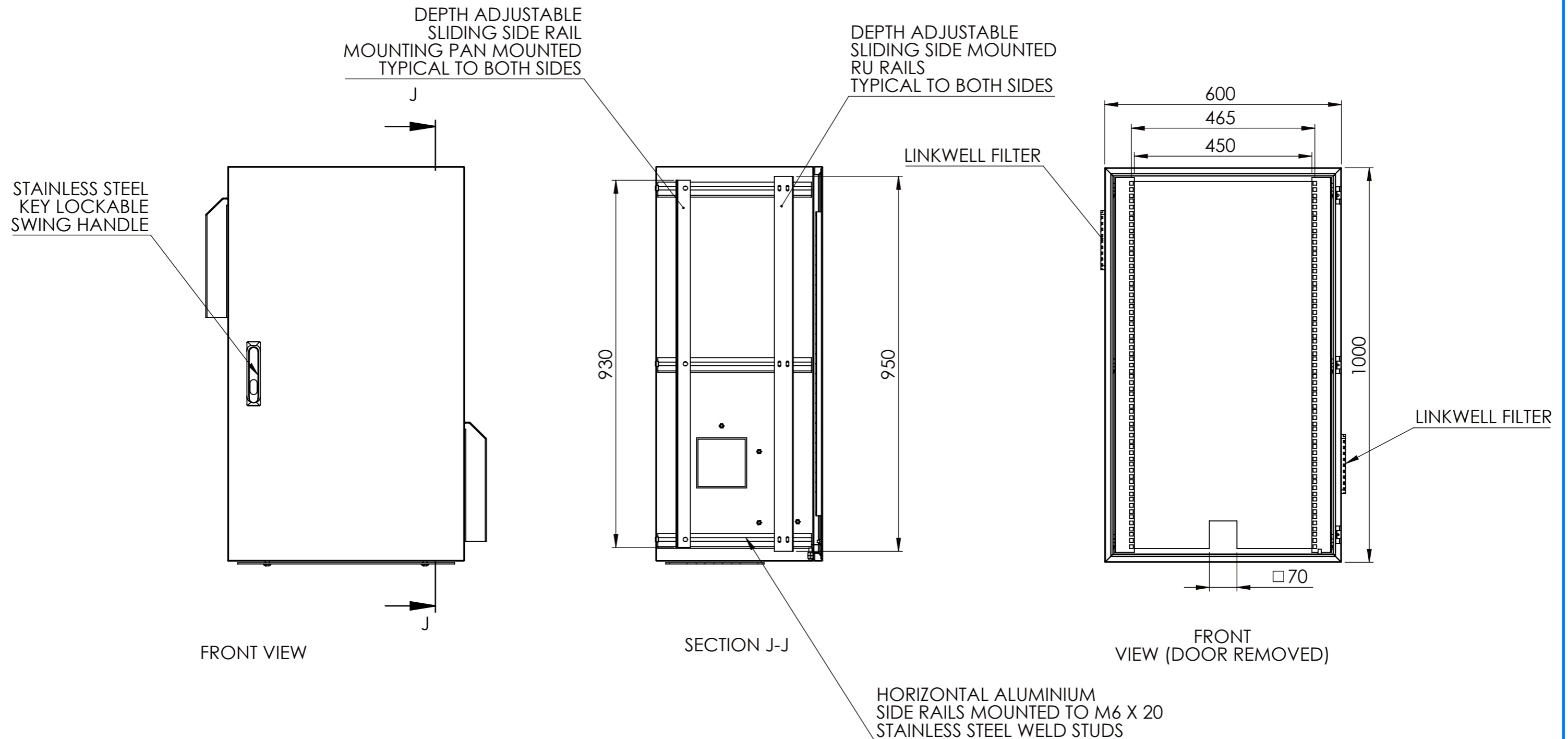
LOGIX ENGINEERING

Logix Engineering Pty Ltd
 28 Spine St, Sumner Park,
 QLD, 4074, Australia
 t: +61 434 034 703
 w: www.logixeng.com.au
 e: tony@logixeng.com.au

Component / Assembly Description
POLE MOUNT ENCLOSURE

AS1100

Component Type	PME ENCLOSURE		
Finish	N/4	Material	1.5mm
Drawing Status	RELEASED FOR MANUFACTURE		
Scale	1:20	Sheet No.	1 of 2
Sheet size	A3	Drawing No.	TMR-PME106040/S
Drawing Type		Drg Rev	1A



UNLESS NOTED OTHERWISE:
 1. Dimensions in millimetres.
 2. Deburr and break all sharp edges.
 Linear Dim's ± 0.5 Hole Diameters $^{+0.1}_{-0.05}$
 Angular Dim's $\pm 1^\circ$ All Bends $90^\circ \pm 0.5$

LOGIX ENGINEERING
 Logix Engineering Pty Ltd
 28 Spine St, Sumner Park,
 QLD, 4074, Australia
 t: +61 434 034 703
 w: www.logixeng.com.au
 e: tony@logixeng.com.au

Component Type PME ENCLOSURE	
Finish N/4	Material 1.5mm

Linear tolerance	C
Angular tolerance	C
Geometry tolerance	L

Component / Assembly Description
POLE MOUNT ENCLOSURE

Date Printed 8/25/2020	Date Created 8/25/2020
Checked RJS	Author RJS
Mass Kgs.	

Drawing Status RELEASED FOR MANUFACTURE	Drawing Type
Scale 1:10	Sheet No. 2 of 2
Sheet size A3	Drawing No. TMR-PME106040/S
	Drg Rev 1A

