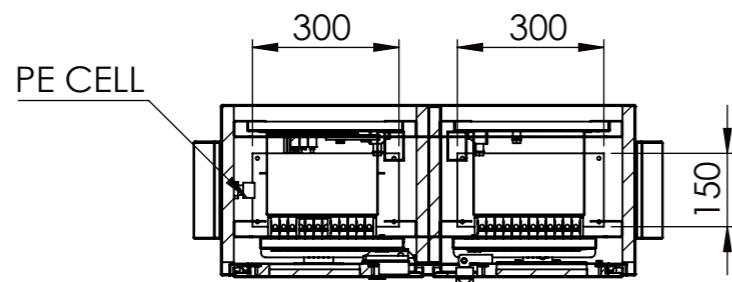
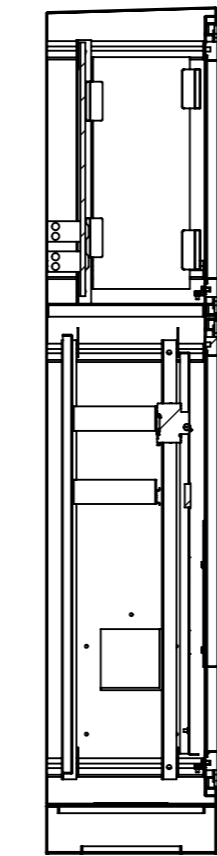


SECTION A-A

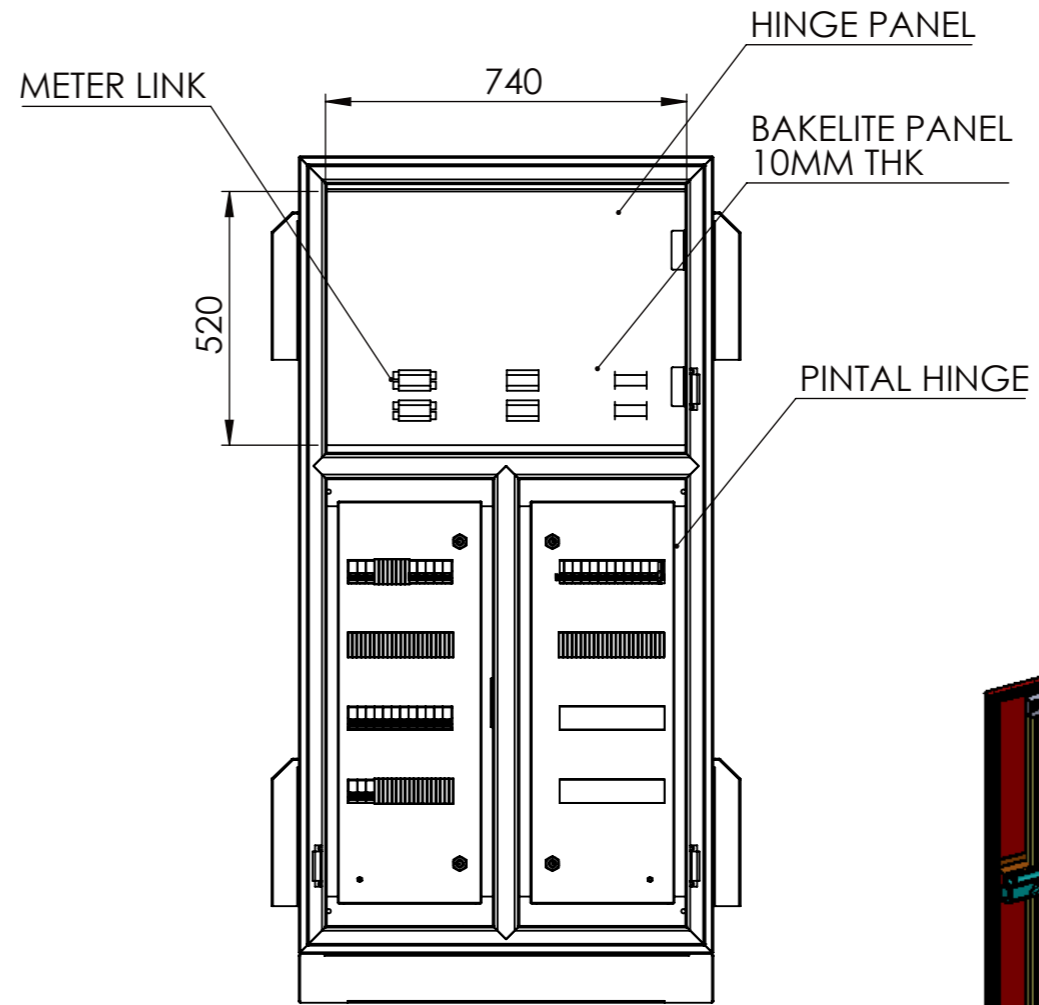
FRONT VIEW



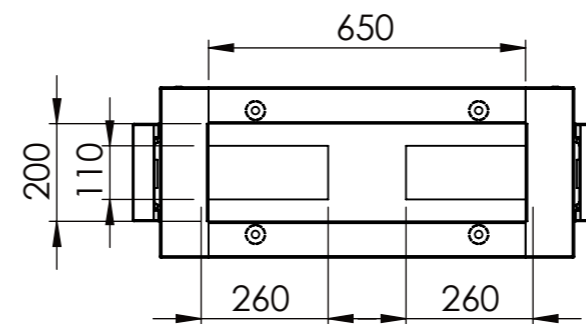
SECTION B-B



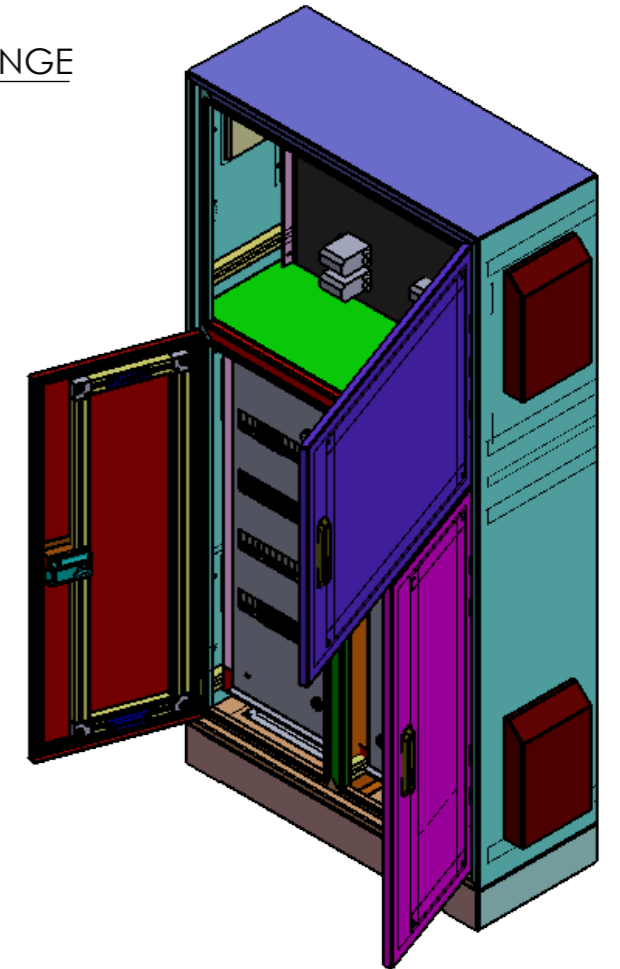
SECTION C-C



FRONT VIEW DOOR REMOVED



BOTTOM VIEW



UNLESS NOTED OTHERWISE:

1. Dimensions in millimetres.
  2. Deburr and break all sharp edges.
- Linear Dim's  $\pm 0.5$  Hole Diameters  $^{+0.1}_{-0.05}$   
 Angular Dim's  $\pm 1^\circ$  All Bends  $90^\circ \pm 0.5$

Linear tolerance	C
Angular tolerance	C
Geometry tolerance	L

Date Printed 6/9/2020 Date Created 12/02/2020

Checked RJS Author RJS Mass Kgs.



Logix Engineering Pty Ltd  
 28 Spine St, Sumner Park,  
 QLD, 4074, Australia  
 t: +61 434 034 703  
 w: www.logixeng.com.au  
 e: tony@logixeng.com.au

Component Type  
**VR-EDC-T3**

Finish  
**POWDERCOATED**

Material  
**ALUMINIUM  
 2.5 mm**

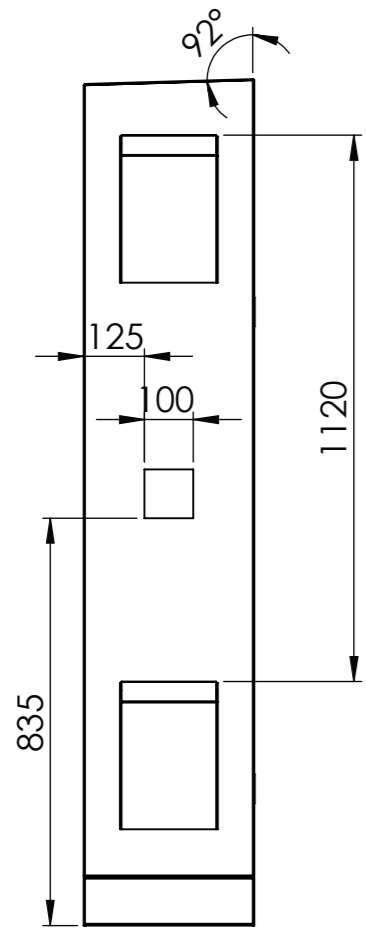
Component / Assembly Description  
**DISTRIBUTION CABINET TYPE 3**



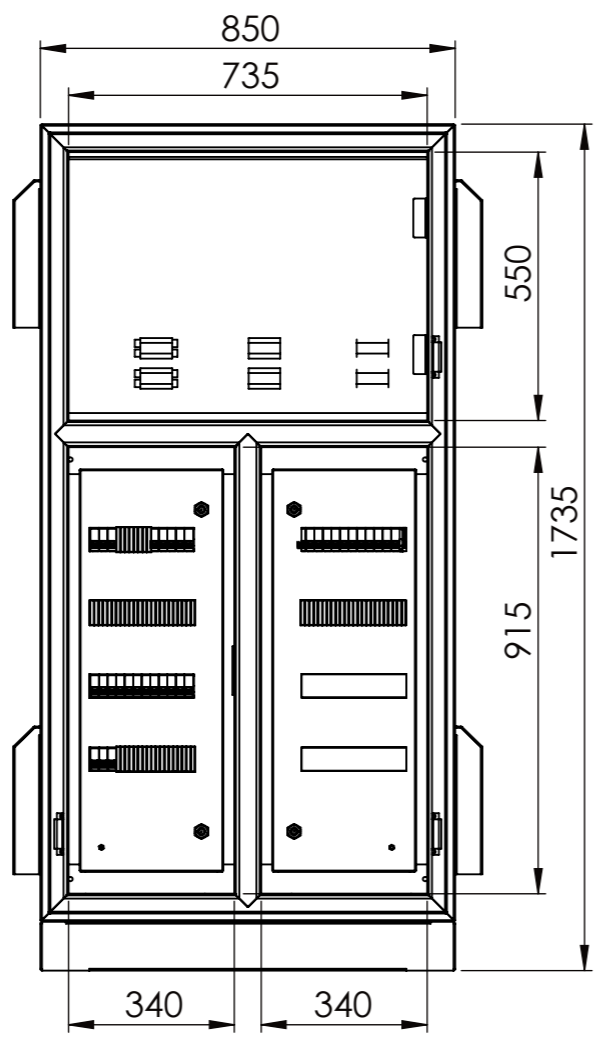
Drawing Status  
**RELEASED FOR MANUFACTURE**

Scale 1:15.5 Sheet No. 1 of 8 Sheet size A3 Drawing No.

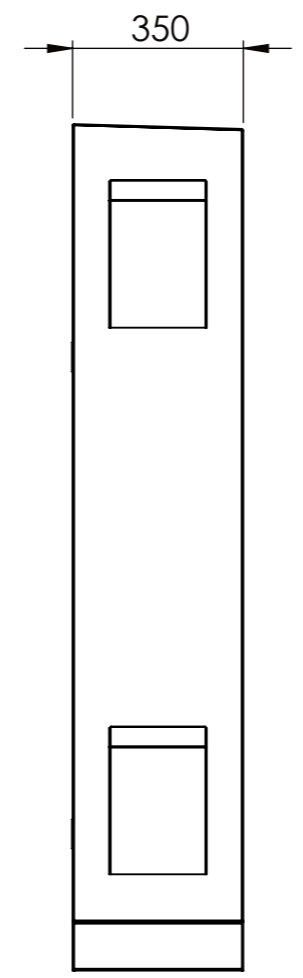
Drawing Type  
**VR-EDC-T3 2A**



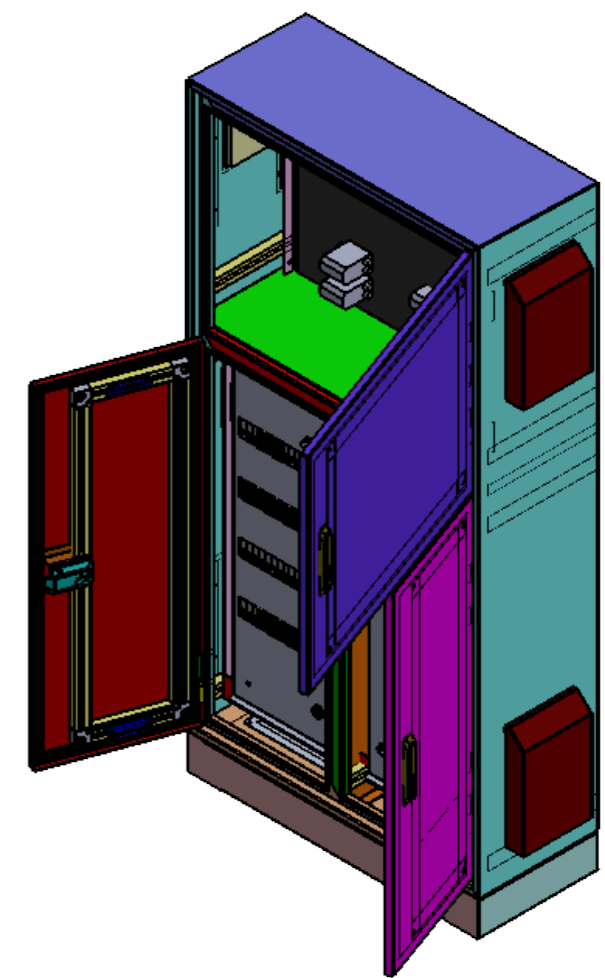
SIDE VIEW



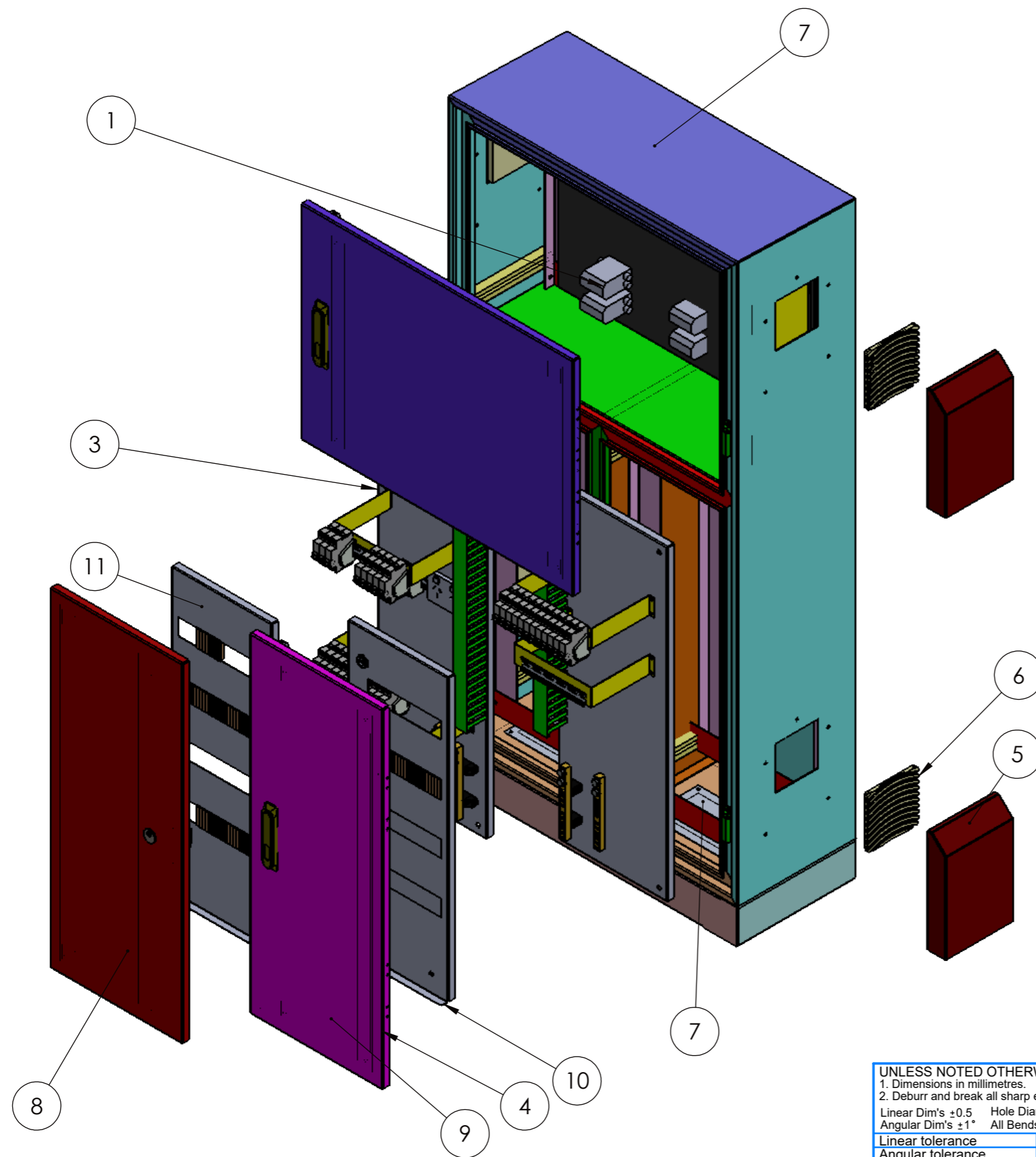
FRONT VIEW  
DOOR REMOVED



SIDE VIEW



<b>UNLESS NOTED OTHERWISE:</b> 1. Dimensions in millimetres. 2. Deburr and break all sharp edges.		Logix Engineering Pty Ltd 28 Spine St, Sumner Park, QLD, 4074, Australia t: +61 434 034 703 w: www.logixeng.com.au e: tony@logixeng.com.au	Component Type <b>VR-EDC-T3</b>	
Linear Dim's $\pm 0.5$ Angular Dim's $\pm 1^\circ$	Hole Diameters $^{+0.1}_{-0.05}$ All Bends $90^\circ \pm 0.5$		Finish <b>POWDERCOATED</b>	Material <b>ALUMINIUM 2.5 mm</b>
Linear tolerance C Angular tolerance C Geometry tolerance L	Component / Assembly Description <b>DISTRIBUTION CABINET TYPE 3</b>			
Date Printed <b>6/9/2020</b>	Date Created <b>12/02/2020</b>	Drawing Status <b>RELEASED FOR MANUFACTURE</b>		Drawing Type VR-EDC-T3 <b>2A</b>
Checked <b>RJS</b>	Author <b>RJS</b>	Mass <b>Kgs.</b>	Scale <b>1:15.5</b>	Sheet No. <b>2 of 8</b>
		Sheet size <b>A3</b>	Drawing No. <b>VR-EDC-T3</b>	



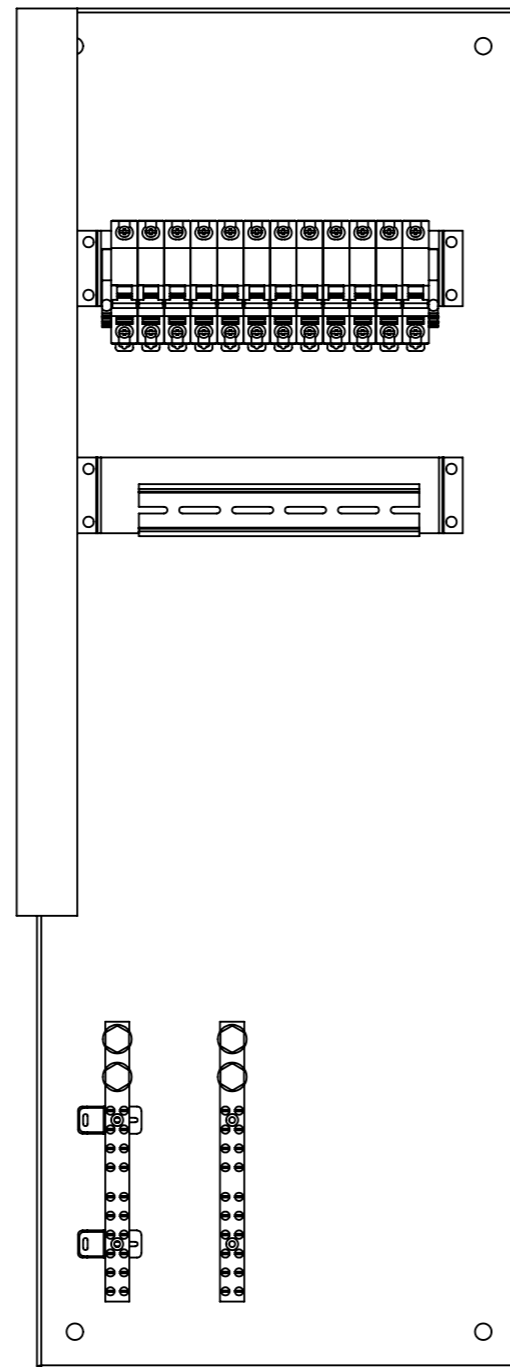
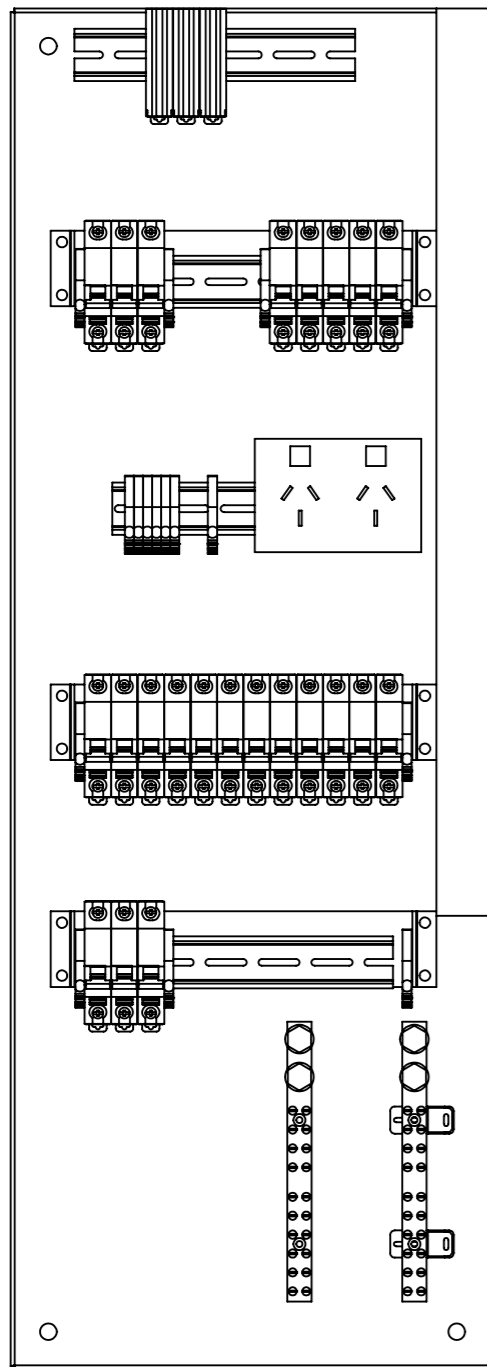
ITEM NO.	PART NUMBER	QTY.
1	HINED-PANEL ASSEMBLY	1
2	PE CELL-ROYCE THOMPSON-MICROSTAR 2000 ST	1
3	CARD HOLDER	1
4	FILTER-HOOD	4
5	FILTER	4
6	VR-EDC-T3- INTERNAL GP	2
7	VR-EDC-T3-BODY-ASSEMBLY	1
8	VR-EDC-T3-LHS-DOOR-ASSEMBLY	1
9	VR-EDC-T3 - RHS -DOOR- ASSEMBLY	1
10	VR-EDC-T3-HINGED-ESCUCHEON-RHS	1
11	VR-EDC-T3-HINGED-ESCUCHEON-LHS	1
12	RATE 3 -METER -DOOR-EXT-A	1

UNLESS NOTED OTHERWISE:  
 1. Dimensions in millimetres.  
 2. Deburr and break all sharp edges.  
 Linear Dim's  $\pm 0.5$  Hole Diameters  $^{+0.1}_{-0.05}$   
 Angular Dim's  $\pm 1^{\circ}$  All Bends  $90^{\circ} \pm 0.5$

Linear tolerance	C
Angular tolerance	C
Geometry tolerance	L

Date Printed: 6/9/2020 Date Created: 12/02/2020  
 Checked: RJS Author: RJS Mass: Kgs.

	Logix Engineering Pty Ltd 28 Spine St, Sumner Park, QLD, 4074, Australia t: +61 434 034 703 w: www.logixeng.com.au e: tony@logixeng.com.au	Component Type <b>VR-EDC-T3</b>
	Finish <b>POWDERCOATED</b>	Material <b>ALUMINIUM 2.5 mm</b>
Component / Assembly Description <b>DISTRIBUTION CABINET TYPE 3</b>		
Drawing Status <b>RELEASED FOR MANUFACTURE</b>	Drawing Type VR-EDC-T3 2A	Drawing No.
Scale <b>1:15.5</b>	Sheet No. <b>3 of 8</b>	Sheet size <b>A3</b>



CABINET	LOGIX ENGINEERING	VR EDC T3	1
METER PANEL	INSULECT	CUSTOM	1
METER FUSE	IPD	S71002ABWS	6
LIGHT	IPD	CLG L307	1
DOOR SWITCH	SCHNEIDER	XCP-10	1
GPO	CLIPSAL	2025S	1
GPO MOUNTING BLOCK	CLIPSAL	449A	1
MAIN SWITCH	SCHNEIDER	A9S66391	2
PE CELL	ROYCE THOMPSON	MICROSTAR 2000 ST	1
PE HOUSING	RAB MANUFACTURING	PCM 2520	1
PE CELL TERMINAL BLOCK	WEIDMULLER	MK3/12 0243520000	1
LIGHTING CONTACTOR	SCHNEIDER	LC1D1156U7	1
20A 3P MCB	SCHNEIDER	A9F44320	4
20A 1P MCB	SCHNEIDER	A9F44120	6
10A 1P MCB	SCHNEIDER	A9F44110	1
6A 1P RCBO	SCHNEIDER	A9D61806	2
BYPASS SWITCH	LEGRAND	O4382	1
NEUTRAL	NETEC	NE250A-M018X	2
EARTH	NETEC	NE250A-M006X	2
NEUTRAL FEET	NETEC	INSF-M5S	2
BUSBAR	NHP	ICL 123	2
VENTS	LINKWELL	FK5522.300	4

UNLESS NOTED OTHERWISE:  
 1. Dimensions in millimetres.  
 2. Deburr and break all sharp edges.  
 Linear Dim's  $\pm 0.5$  Hole Diameters  $^{+0.1}_{-0.05}$   
 Angular Dim's  $\pm 1^\circ$  All Bends  $90^\circ \pm 0.5$

Linear tolerance	C
Angular tolerance	C
Geometry tolerance	L

Date Printed: 6/9/2020 Date Created: 12/02/2020  
 Checked: RJS Author: RJS Mass: Kgs.

**LOGIX ENGINEERING**  
 Logix Engineering Pty Ltd  
 28 Spine St, Sumner Park,  
 QLD, 4074, Australia  
 t: +61 434 034 703  
 w: www.logixeng.com.au  
 e: tony@logixeng.com.au

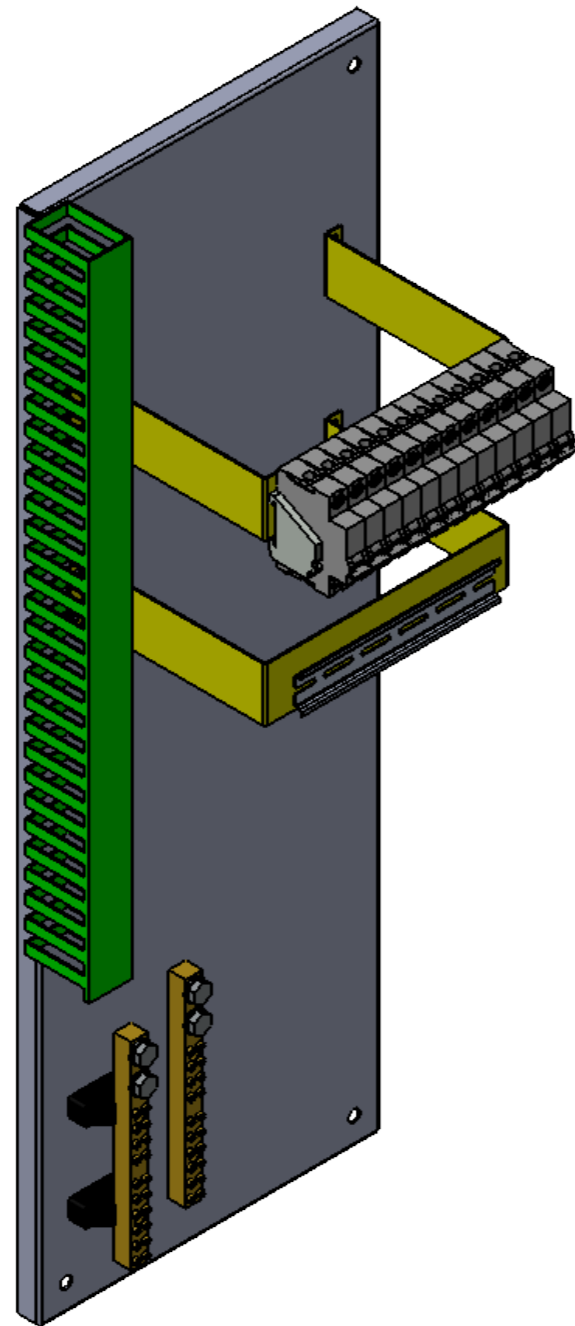
Component / Assembly Description  
**DISTRIBUTION CABINET TYPE 3**

AS1100

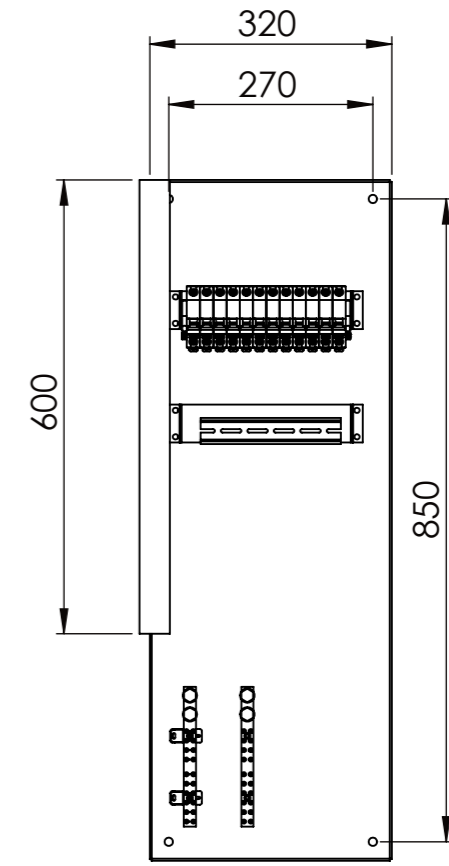
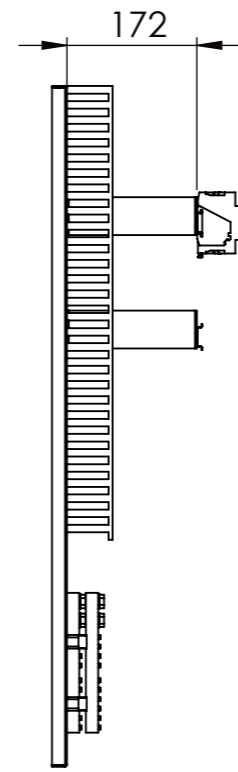
Component Type	VR-EDC-T3
Finish	POWDERCOATED
Material	ALUMINIUM 2.5 mm

Drawing Status: **RELEASED FOR MANUFACTURE**

Scale	1:5	Sheet No.	4 of 8	Sheet size	A3	Drawing No.	VR-EDC-T3	Drg Rev	2A
-------	-----	-----------	--------	------------	----	-------------	-----------	---------	----



**RHS**



**UNLESS NOTED OTHERWISE:**  
 1. Dimensions in millimetres.  
 2. Deburr and break all sharp edges.

Linear Dim's $\pm 0.5$	Hole Diameters $^{+0.1}_{-0.05}$	
Angular Dim's $\pm 1^\circ$	All Bends $90^\circ \pm 0.5$	
Linear tolerance	C	
Angular tolerance	C	
Geometry tolerance	L	
Date Printed	Date Created	
<b>6/9/2020</b>	<b>12/02/2020</b>	
Checked	Author	Mass
<b>RJS</b>	<b>RJS</b>	<b>Kgs.</b>

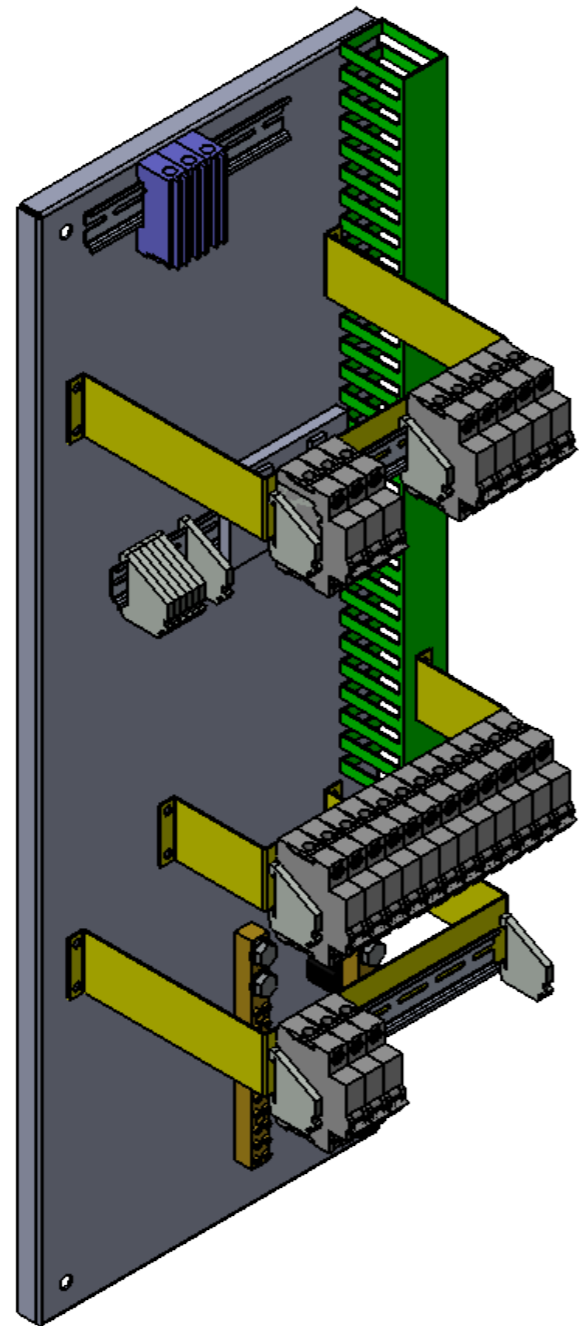
**LOGIX ENGINEERING**

Logix Engineering Pty Ltd  
 28 Spine St, Sumner Park,  
 QLD, 4074, Australia  
 t: +61 434 034 703  
 w: www.logixeng.com.au  
 e: tony@logixeng.com.au

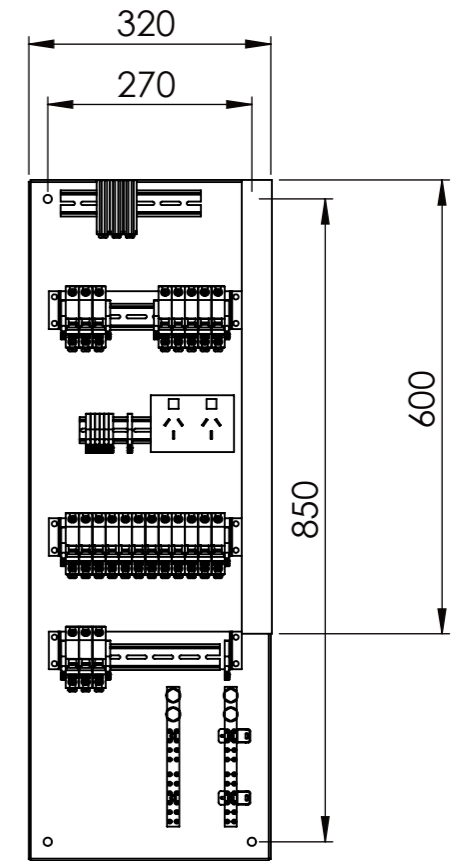
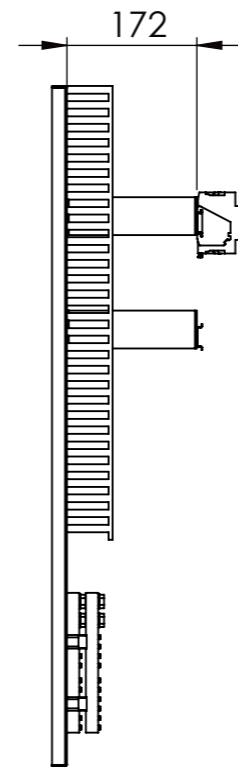
Component / Assembly Description  
**DISTRIBUTION CABINET TYPE 3**

AS1100

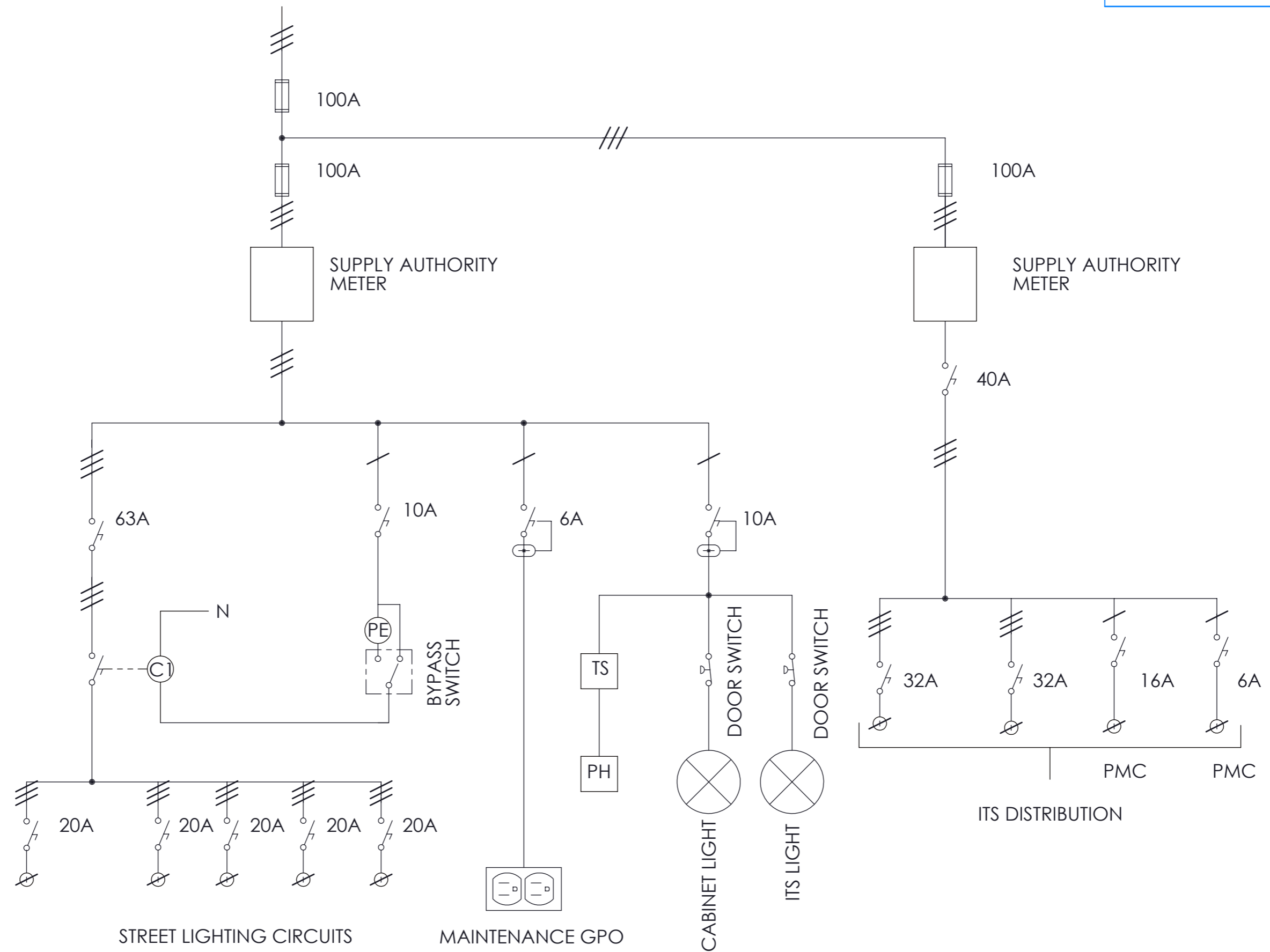
Component Type	<b>VR-EDC-T3</b>	
Finish	<b>POWDERCOATED</b>	Material <b>ALUMINIUM</b> <b>2.5 mm</b>
Drawing Status	<b>RELEASED FOR MANUFACTURE</b>	
Scale	Sheet No.	Sheet size
<b>1:5</b>	<b>5 of 8</b>	<b>A3</b>
Drawing No.	Drg Rev	
<b>VR-EDC-T3</b>	<b>2A</b>	



**LHS**



<b>UNLESS NOTED OTHERWISE:</b> 1. Dimensions in millimetres. 2. Deburr and break all sharp edges. Linear Dim's $\pm 0.5$ Hole Diameters $^{+0.1}_{-0.05}$ Angular Dim's $\pm 1^\circ$ All Bends $90^\circ \pm 0.5$			Logix Engineering Pty Ltd 28 Spine St, Sumner Park, QLD, 4074, Australia t: +61 434 034 703 w: www.logixeng.com.au e: tony@logixeng.com.au		Component Type <b>VR-EDC-T3</b>
Linear tolerance    C Angular tolerance    C Geometry tolerance    L	Date Printed <b>6/9/2020</b>		Date Created <b>12/02/2020</b>	Finish <b>POWDERCOATED</b>	Material <b>ALUMINIUM 2.5 mm</b>
Date Printed <b>6/9/2020</b>		Date Created <b>12/02/2020</b>		Component / Assembly Description <b>DISTRIBUTION CABINET TYPE 3</b>	
Checked <b>RJS</b>	Author <b>RJS</b>	Mass <b>Kgs.</b>		Drawing Status <b>RELEASED FOR MANUFACTURE</b>	Drawing Type <b>VR-EDC-T3 2A</b>
Scale <b>1:5</b>		Sheet No. <b>6 of 8</b>	Sheet size <b>A3</b>	Drawing No. <b>VR-EDC-T3</b>	Drg Rev <b>2A</b>



**UNLESS NOTED OTHERWISE:**  
 1. Dimensions in millimetres.  
 2. Deburr and break all sharp edges.

Linear Dim's $\pm 0.5$	Hole Diameters $^{+0.1}_{-0.05}$	
Angular Dim's $\pm 1^\circ$	All Bends $90^\circ \pm 0.5$	
Linear tolerance	C	
Angular tolerance	C	
Geometry tolerance	L	
Date Printed	Date Created	
6/9/2020	12/02/2020	
Checked	Author	Mass
RJS	RJS	Kgs.

**LOGIX ENGINEERING**

Logix Engineering Pty Ltd  
 28 Spine St, Sumner Park,  
 QLD, 4074, Australia  
 t: +61 434 034 703  
 w: www.logixeng.com.au  
 e: tony@logixeng.com.au

Component / Assembly Description  
**DISTRIBUTION CABINET TYPE 3**

AS1100

Component Type	<b>VR-EDC-T3</b>	
Finish	POWDERCOATED	Material <b>ALUMINIUM</b> 2.5 mm
Drawing Status	<b>RELEASED FOR MANUFACTURE</b>	
Drawing Type	VR-EDC-T3 2A	
Scale	Sheet No.	Sheet size
1:5	7 of 8	A3