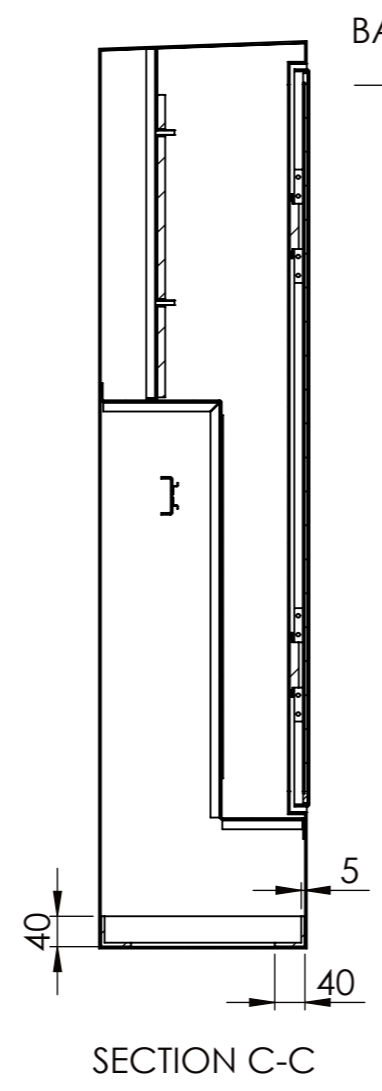
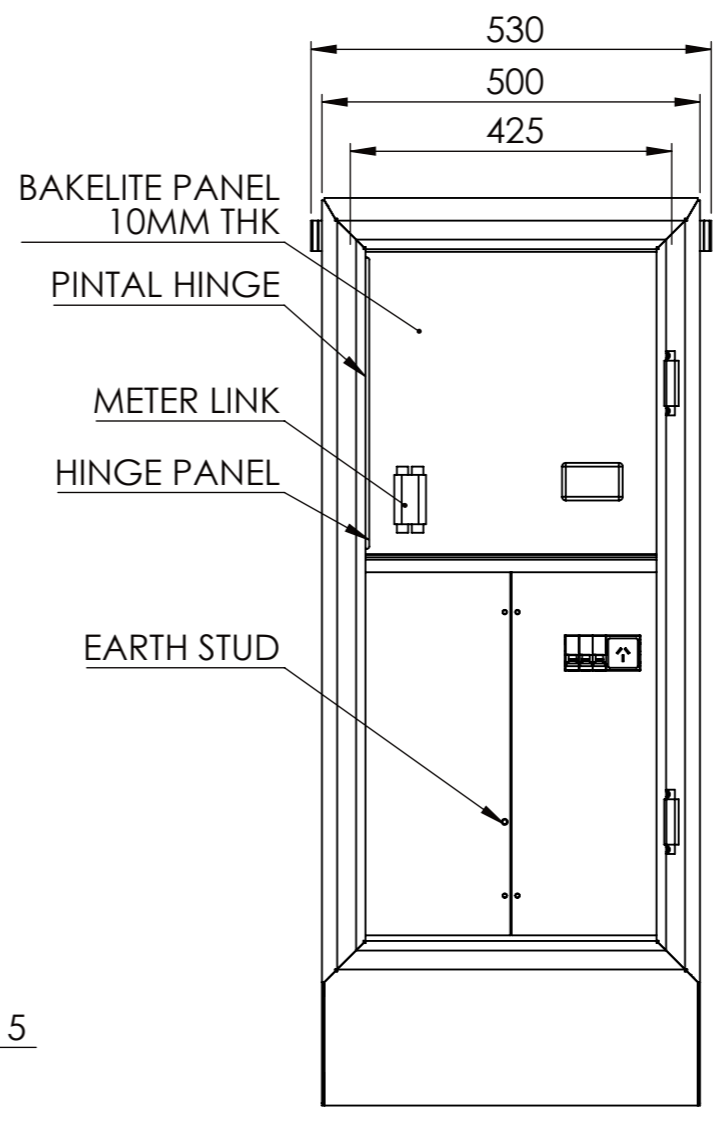


SECTION A-A

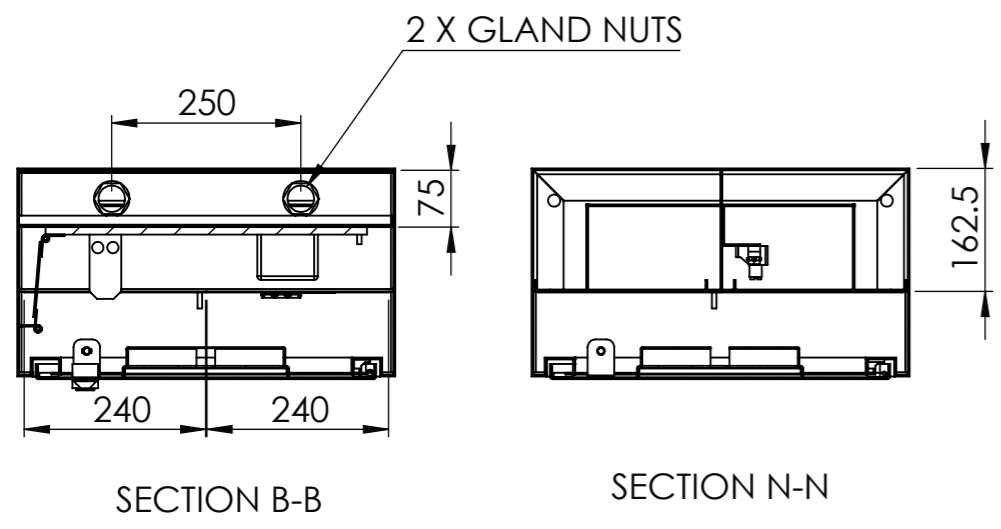
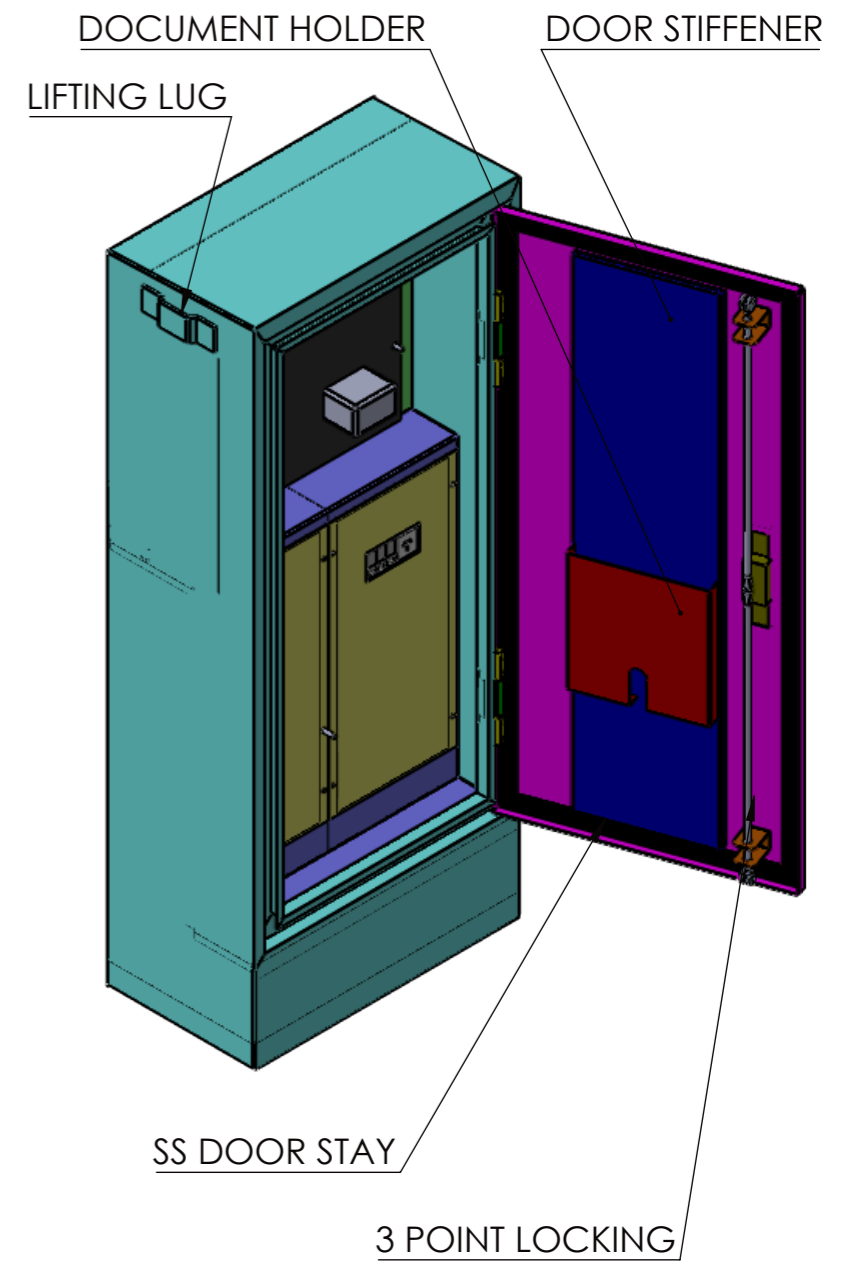
FRONT VIEW



SECTION C-C

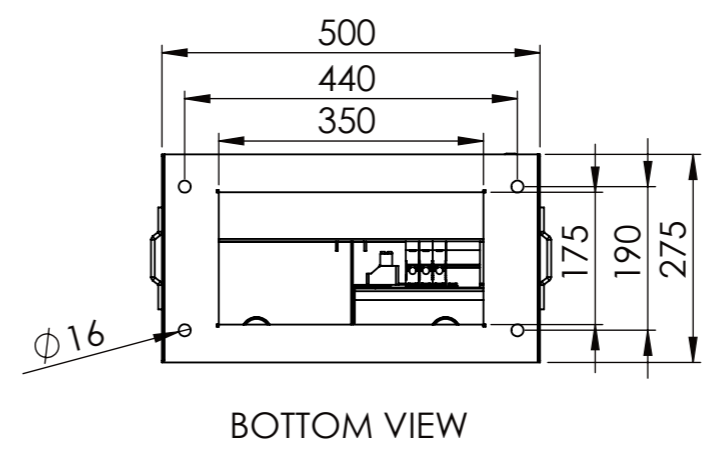


FRONT VIEW DOOR REMOVED



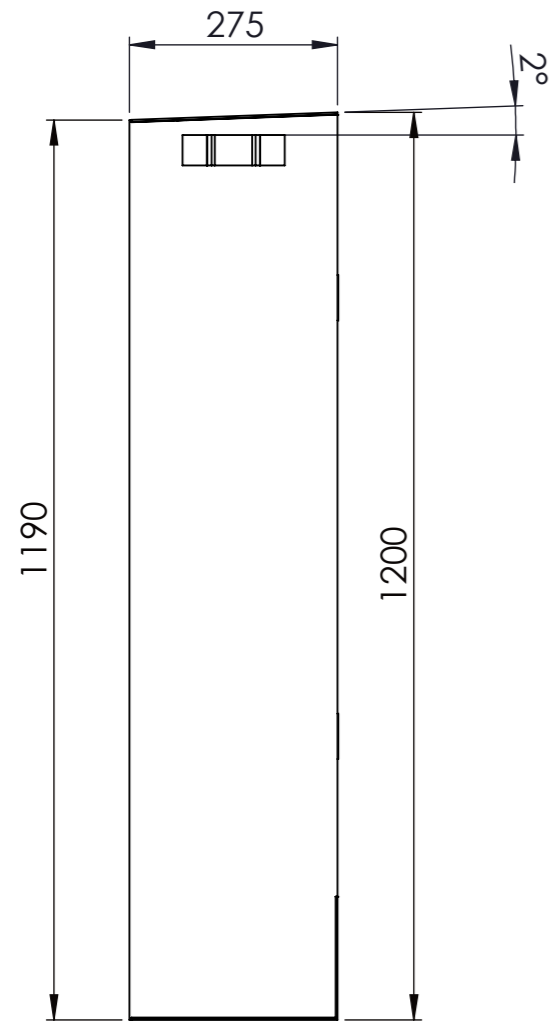
SECTION B-B

SECTION N-N

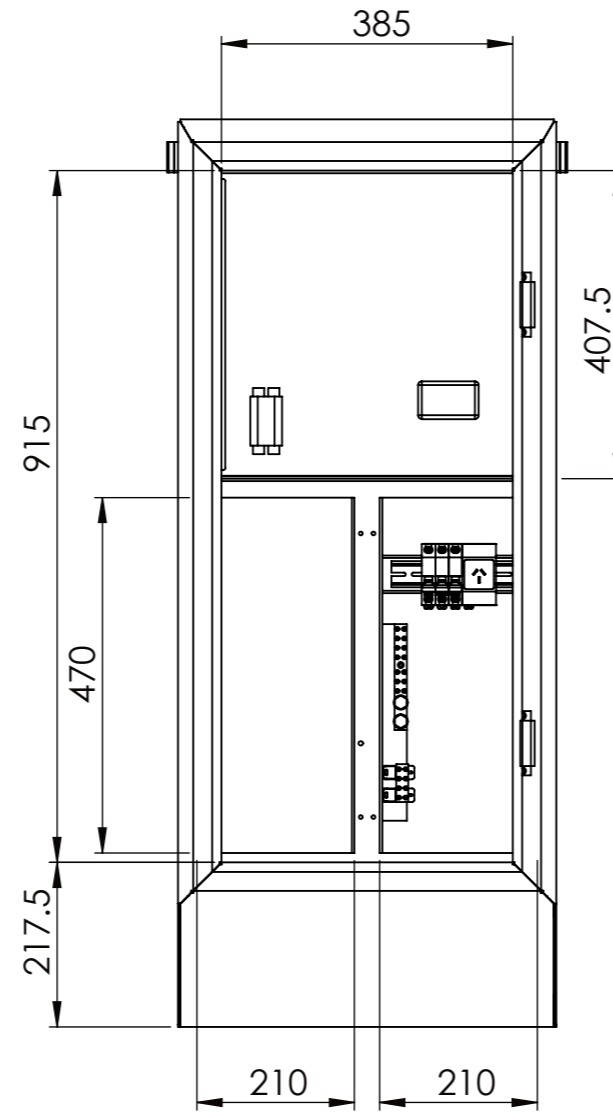


BOTTOM VIEW

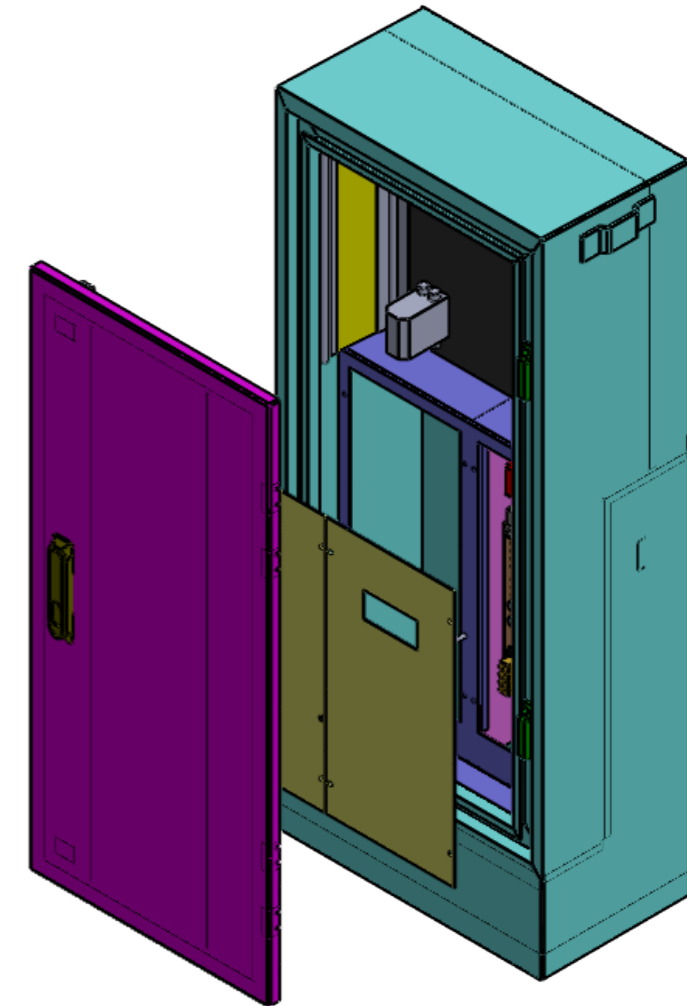
UNLESS NOTED OTHERWISE: 1. Dimensions in millimetres. 2. Deburr and break all sharp edges. Linear Dim's ± 0.5 Hole Diameters $^{+0.1}_{-0.05}$ Angular Dim's $\pm 1^\circ$ All Bends $90^\circ \pm 0.5$			LOGIX ENGINEERING Logix Engineering Pty Ltd 28 Spine St, Sumner Park, QLD, 4074, Australia t: +61 434 034 703 w: www.logixeng.com.au e: tony@logixeng.com.au		Component Type VR-EDC-T2
Linear tolerance C Angular tolerance C Geometry tolerance L			Finish POWDERCOATED Material ALUMINIUM 2.5 mm		
Date Printed 6/9/2020 Date Created 12/02/2020			Component / Assembly Description DISTRIBUTION CABINET TYPE 2		
Checked RJS Author RJS Mass Kgs.			Drawing Status RELEASED FOR MANUFACTURE Drawing Type		
Scale 1:10 Sheet No. 1 of 4 Sheet size A3 Drawing No.			Drawing No. VR-EDC-T2 Drg Rev. 2A		



SIDE VIEW



FRONT VIEW
DOOR REMOVED



UNLESS NOTED OTHERWISE:
 1. Dimensions in millimetres.
 2. Deburr and break all sharp edges.
 Linear Dim's ± 0.5 Hole Diameters $^{+0.1}_{-0.05}$
 Angular Dim's $\pm 1^\circ$ All Bends $90^\circ \pm 0.5$



Logix Engineering Pty Ltd
 28 Spine St, Sumner Park,
 QLD, 4074, Australia
 t: +61 434 034 703
 w: www.logixeng.com.au
 e: tony@logixeng.com.au

Component Type
VR-EDC-T2

Finish
POWDERCOATED

Material
**ALUMINIUM
 2.5 mm**

Linear tolerance	C
Angular tolerance	C
Geometry tolerance	L

Component / Assembly Description
DISTRIBUTION CABINET TYPE 2

Date Printed	Date Created
6/9/2020	12/02/2020



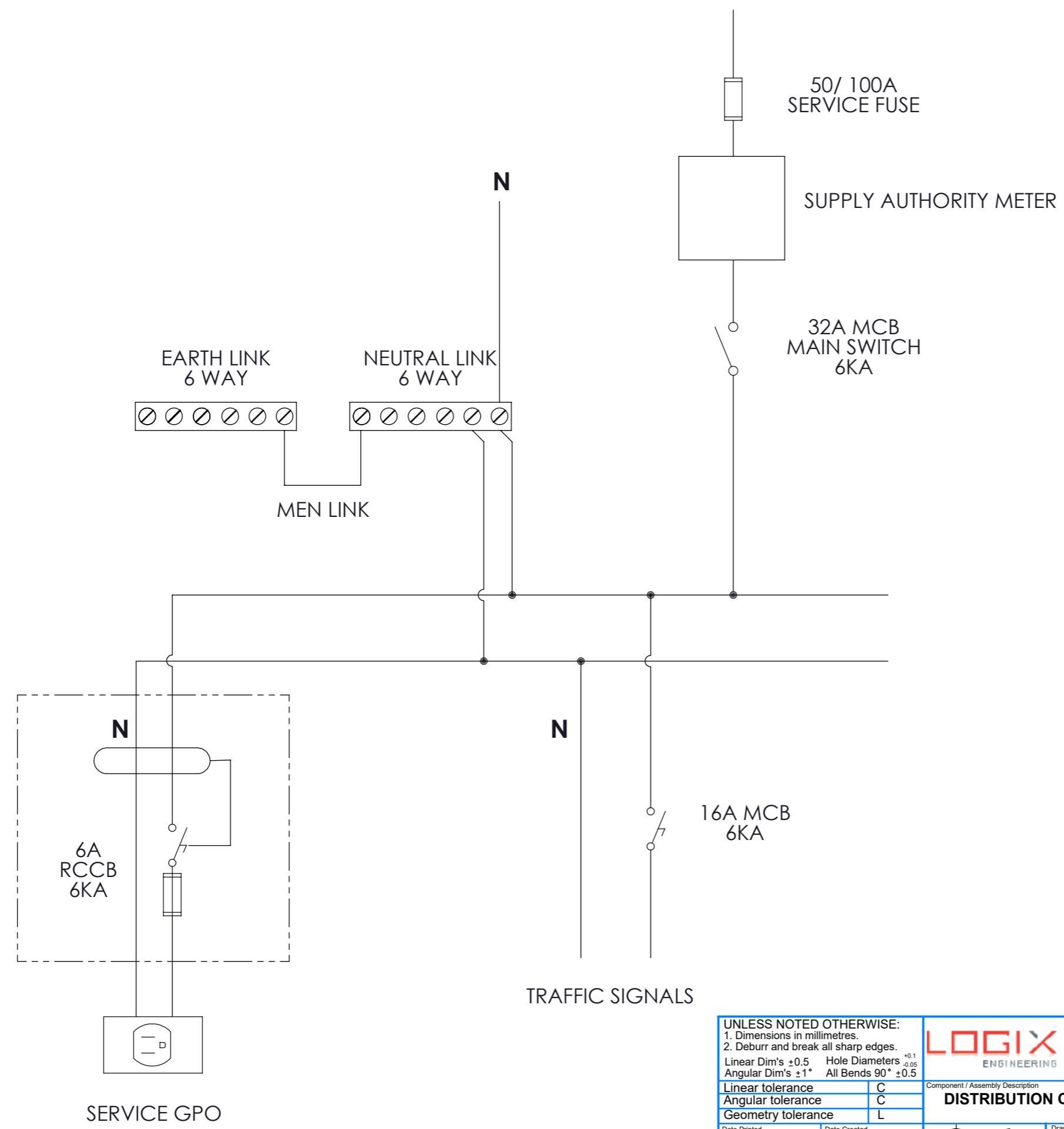
Drawing Status
RELEASED FOR MANUFACTURE

Drawing Type

Checked	Author	Mass
RJS	RJS	Kgs.

Scale	Sheet No.	Sheet size	Drawing No.
1:10	2 of 4	A3	VR-EDC-T2

Drg Rev
2A



UNLESS NOTED OTHERWISE:
 1. Dimensions in millimetres.
 2. Deburr and break all sharp edges.

Linear Dim's ± 0.5	Hole Diameters $^{+0.1}_{-0.05}$
Angular Dim's $\pm 1^{\circ}$	All Bends $90^{\circ} \pm 0.5$
Linear tolerance	C
Angular tolerance	C
Geometry tolerance	L

Date Printed: **6/9/2020** Date Created: **12/02/2020**

Checked: RJS	Author: RJS	Mass: Kgs.
---------------------	--------------------	-------------------

LOGIX ENGINEERING

Logix Engineering Pty Ltd
 28 Spine St, Sumner Park,
 QLD, 4074, Australia
 t: +61 434 034 703
 w: www.logixeng.com.au
 e: tony@logixeng.com.au

Component / Assembly Description
DISTRIBUTION CABINET TYPE 2

AS1100

Component Type	VR-EDC-T2	
Finish	POWDERCOATED	Material ALUMINIUM 2.5 mm
Drawing Status	RELEASED FOR MANUFACTURE	
Drawing Type		
Scale	Sheet No.	Sheet size
1:5	4 of 4	A3
Drawing No.	VR-EDC-T2	
Drg Rev	2A	