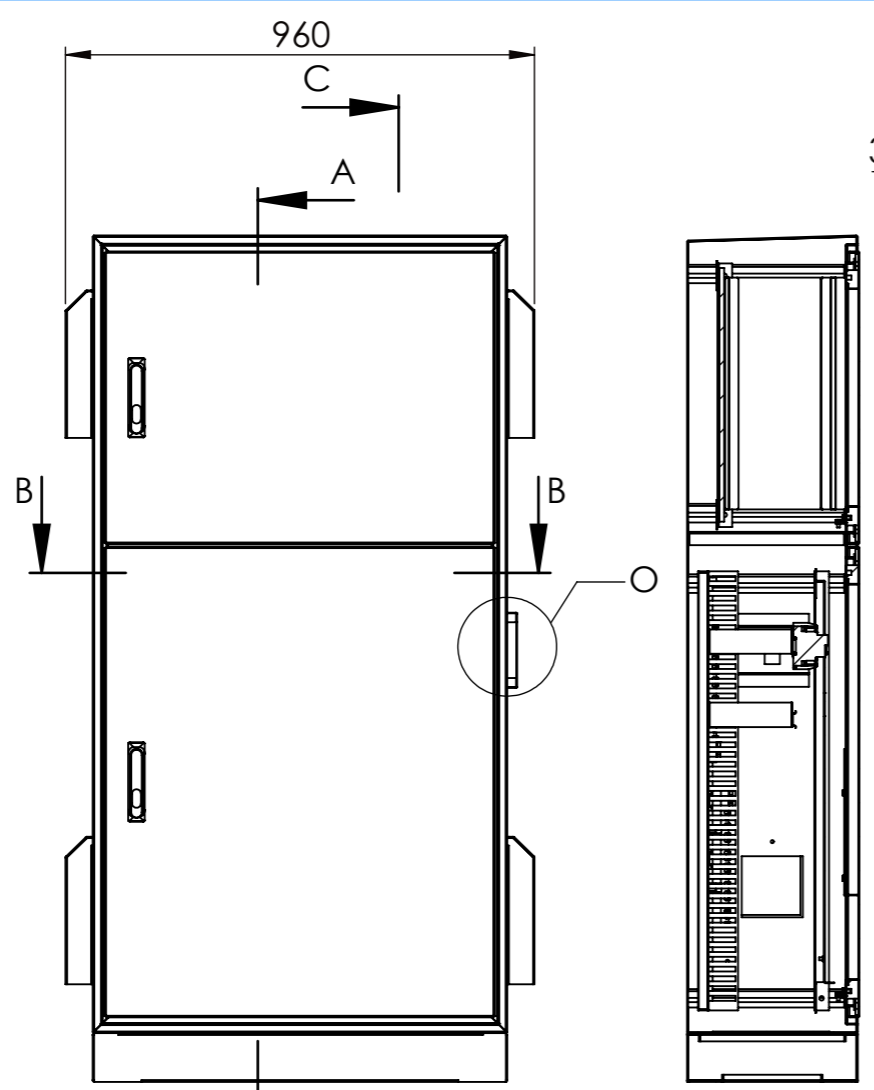
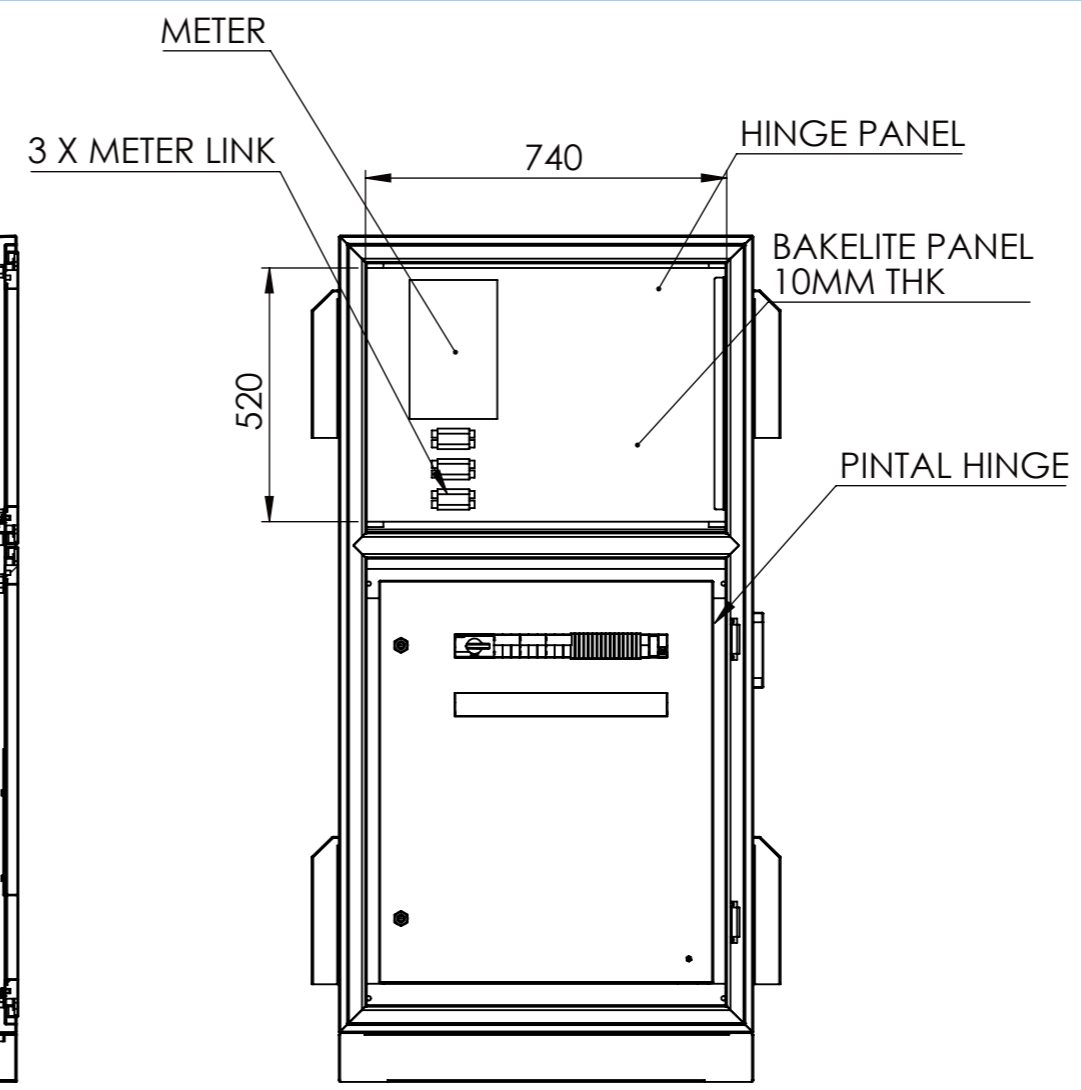


SECTION A-A

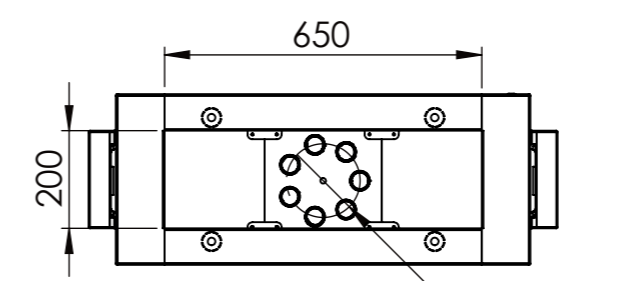


FRONT VIEW

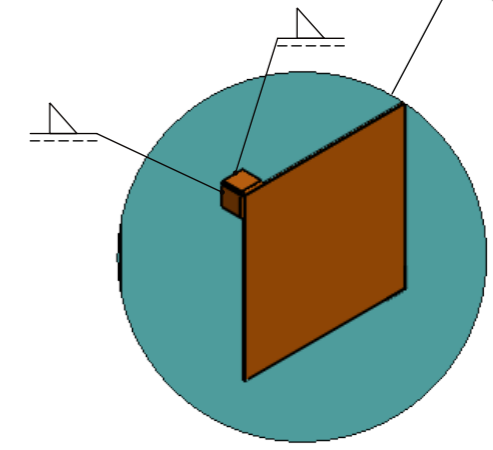
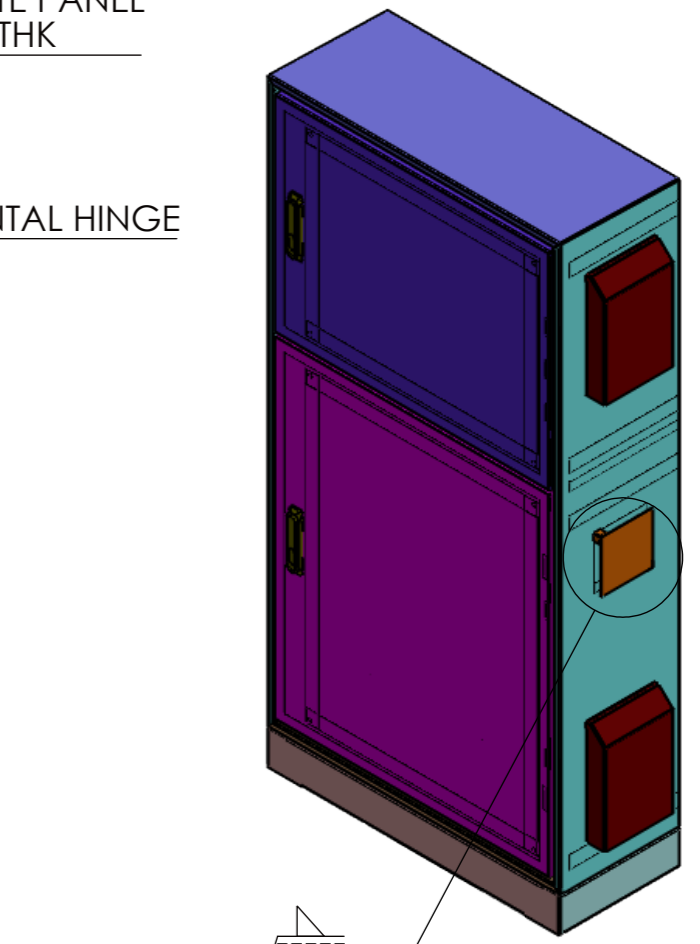
SECTION C-C



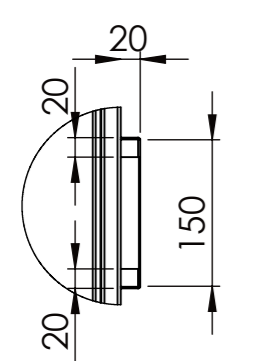
FRONT VIEW DOOR REMOVED



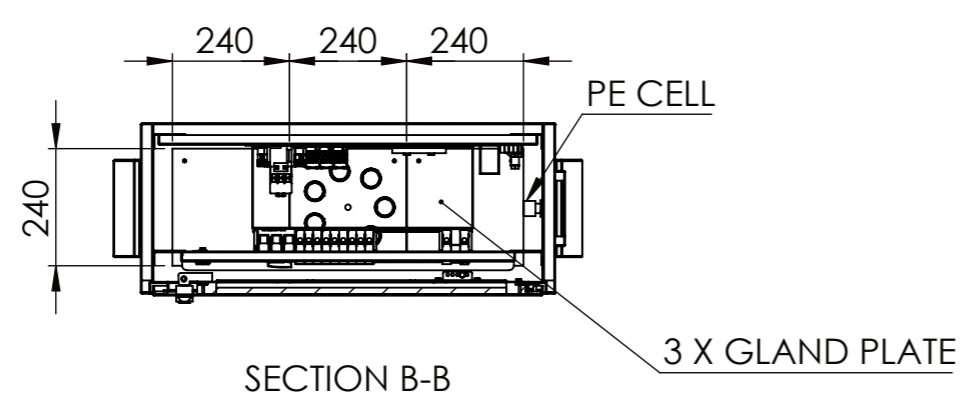
BOTTOM VIEW



DETAIL N LIGHT DEFLECTOR WELD DETAIL



DETAIL O LIGHT DEFLECTOR



SECTION B-B

UNLESS NOTED OTHERWISE:
 1. Dimensions in millimetres.
 2. Deburr and break all sharp edges.
 Linear Dim's ± 0.5 Hole Diameters $^{+0.1}_{-0.05}$
 Angular Dim's $\pm 1^\circ$ All Bends $90^\circ \pm 0.5$

Linear tolerance	C
Angular tolerance	C
Geometry tolerance	L

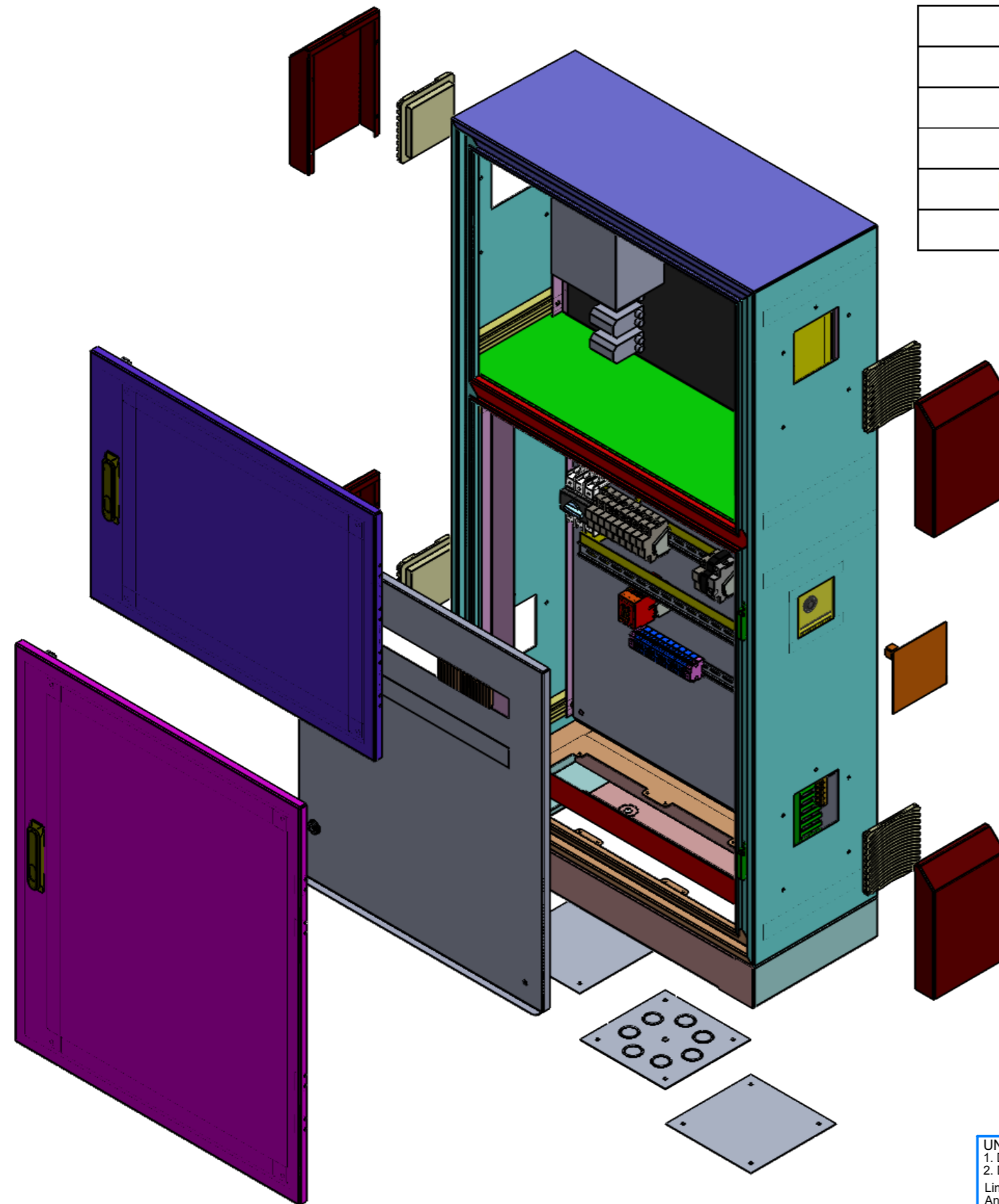
Date Printed: 17/02/2020 Date Created: 12/02/2020
 Checked: RJS Author: RJS Mass: Kgs.

LOGIX ENGINEERING
 Logix Engineering Pty Ltd
 28 Spine St, Sumner Park, QLD, 4074, Australia
 t: +61 434 034 703
 w: www.logixeng.com.au
 e: tony@logixeng.com.au

Component / Assembly Description
DISTRIBUTION CABINET TYPE 1

AS1100

Component Type	VR-EDC-T1	
Finish	POWDERCOATED	Material ALUMINIUM 2.5 mm
Drawing Status	RELEASED FOR MANUFACTURE	
Scale	Sheet No.	Sheet size
1:15.5	1 of 6	A3
Drawing No.	Drg Rev.	
VR-EDC-T1	1A	



CABINET	LOGIX ENGINEERING	VR EDC T1	1
METER PANEL	INSULECT	CUSTOM TYPE X	1
METER FUSE	IPD	S71002ABWS	3
LIGHT	SAL	SL9706/280TC	1
DOOR SWITCH	SCHNEIDER	XCP-10	1
VENTS	LINKWELL	FK5522.300	4

UNLESS NOTED OTHERWISE:
 1. Dimensions in millimetres.
 2. Deburr and break all sharp edges.

Linear Dim's ± 0.5	Hole Diameters $^{+0.1}_{-0.05}$	
Angular Dim's $\pm 1^{\circ}$	All Bends $90^{\circ} \pm 0.5$	
Linear tolerance	C	
Angular tolerance	C	
Geometry tolerance	L	
Date Printed	Date Created	
17/02/2020	12/02/2020	
Checked	Author	Mass
RJS	RJS	Kgs.

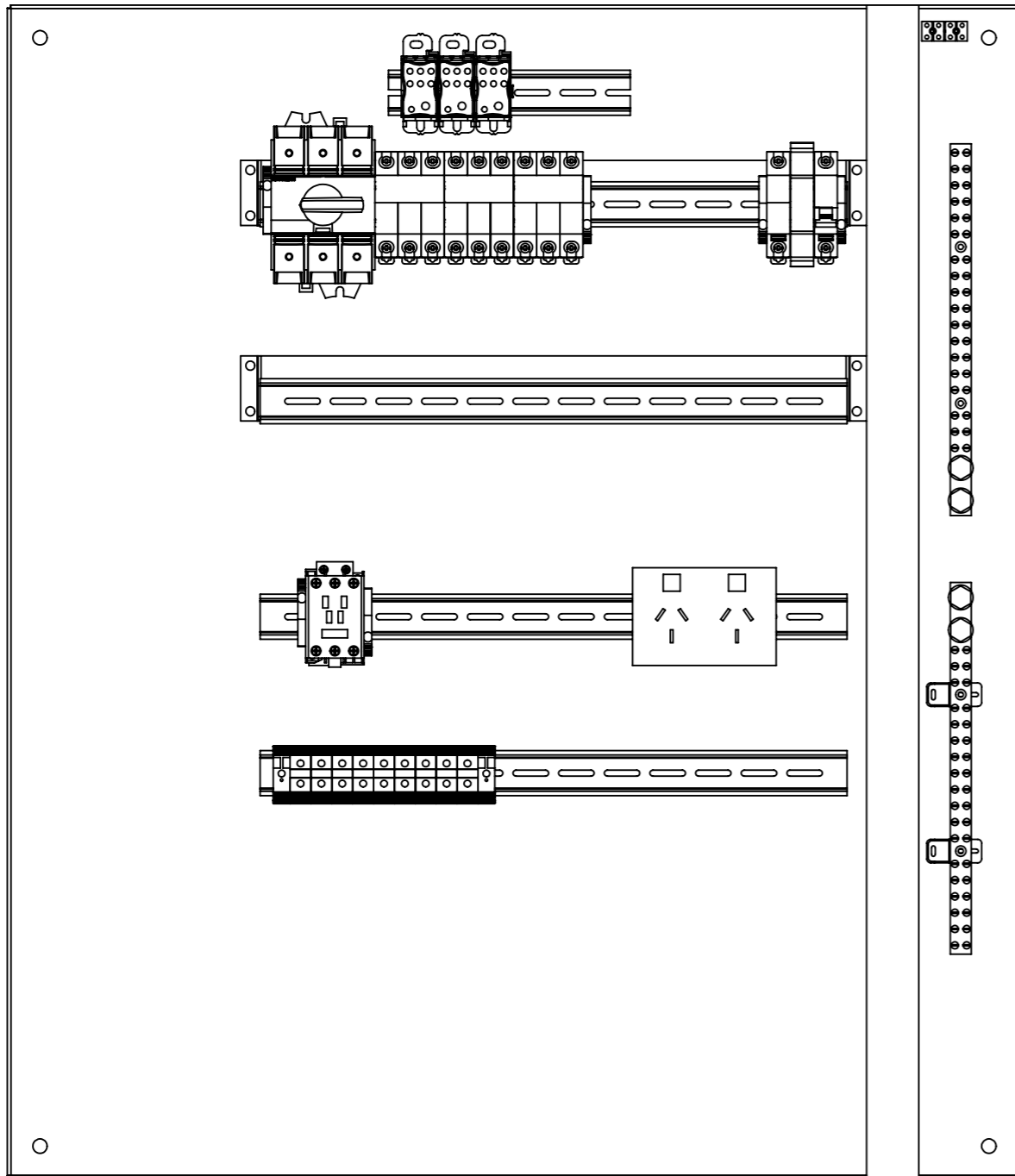
LOGIX ENGINEERING

Logix Engineering Pty Ltd
 28 Spine St, Sumner Park,
 QLD, 4074, Australia
 t: +61 434 034 703
 w: www.logixeng.com.au
 e: tony@logixeng.com.au

Component / Assembly Description
DISTRIBUTION CABINET TYPE 1

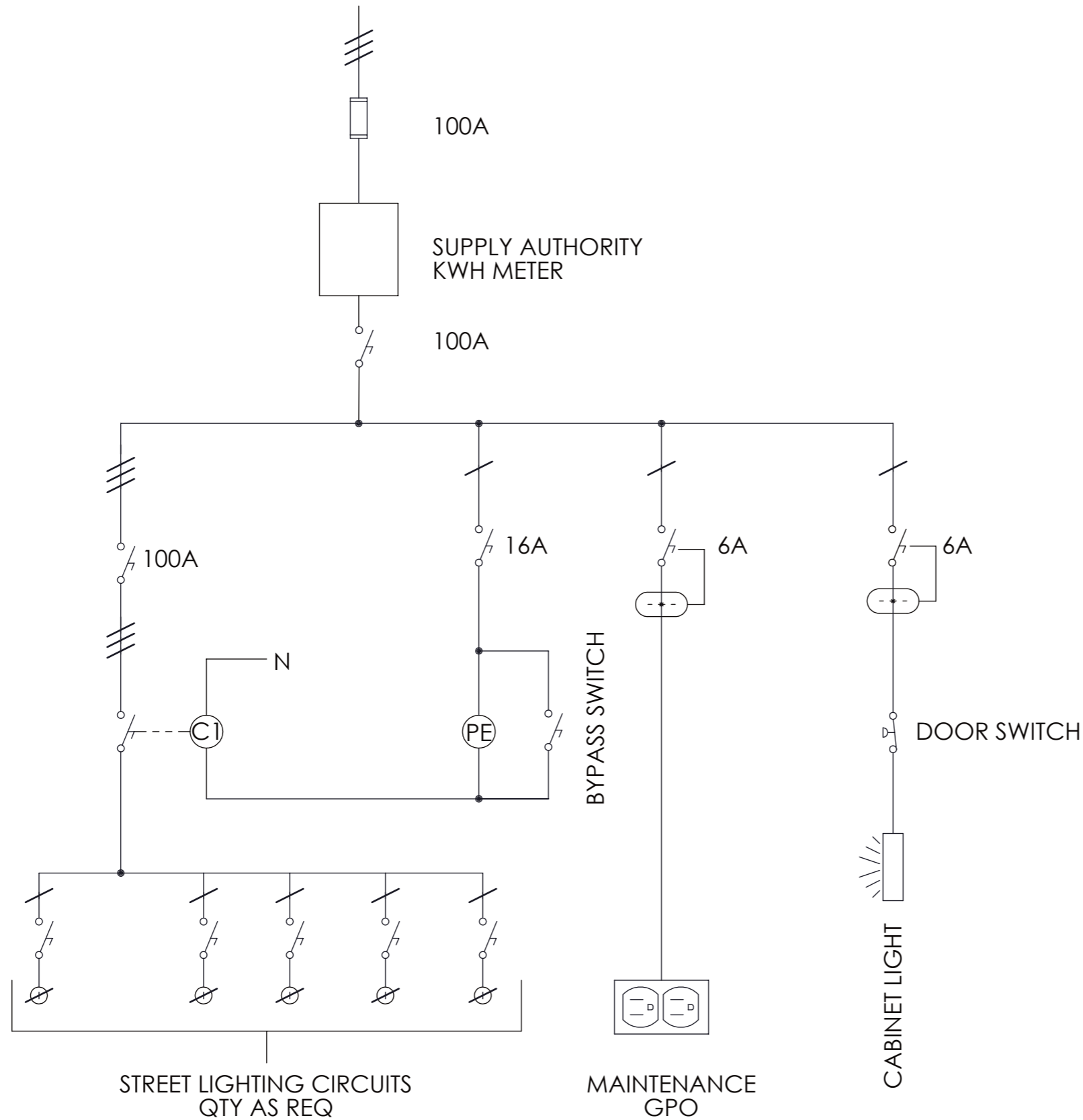
AS1100

Component Type	VR-EDC-T1	
Finish	POWDERCOATED	Material ALUMINIUM 2.5 mm
Drawing Status	RELEASED FOR MANUFACTURE	
Drawing Type	VR-EDC-T1 1A	
Scale	Sheet No.	Sheet size
1:15.5	3 of 6	A3



METER FUSE	IPD	S71002ABWS	3
GPO	CLIPSAL	2025S	1
GPO MOUNTING BLOCK	CLIPSAL	449A	1
MAIN SWITCH	SCHNEIDER	A9S66391	1
PE CELL	ROYCE THOMPSON	MICROSTAR 2000 ST	1
PE CELL TERMINAL BLOCK	WEIDMULLER	MK3/12 0243520000	1
LIGHTING CONTACTOR	SCHNEIDER	LC1D1156U7	1
20A 1P MCB	SCHNEIDER	A9F44120	6
10A 1P MCB	SCHNEIDER	A9F44110	1
6A 1P RCBO	SCHNEIDER	A9D61806	2
BYPASS SWITCH	LEGRAND	O4382	1
NEUTRAL	NETEC	NE250A-M018X	1
EARTH	NETEC	NE250A-M006X	1
NEUTRAL FEET	NETEC	INSF-M5S	2
BUSBAR	NHP	ICL 123	1

UNLESS NOTED OTHERWISE: 1. Dimensions in millimetres. 2. Deburr and break all sharp edges. Linear Dim's ± 0.5 Hole Diameters $^{+0.1}_{-0.05}$ Angular Dim's $\pm 1^\circ$ All Bends $90^\circ \pm 0.5$		Logix Engineering Pty Ltd 28 Spine St, Sumner Park, QLD, 4074, Australia t: +61 434 034 703 w: www.logixeng.com.au e: tony@logixeng.com.au	Component Type VR-EDC-T1
Linear tolerance C Angular tolerance C Geometry tolerance L	Finish POWDERCOATED Material ALUMINIUM 2.5 mm		
Date Printed 17/02/2020 Date Created 12/02/2020		Component / Assembly Description DISTRIBUTION CABINET TYPE 1	
Checked RJS Author RJS Mass Kgs.		Drawing Status RELEASED FOR MANUFACTURE	Drawing Type VR-EDC-T1 1A
Scale 1:5 Sheet No. 4 of 6 Sheet size A3		Drawing No. VR-EDC-T1 Drg Rev. 1A	



UNLESS NOTED OTHERWISE:
 1. Dimensions in millimetres.
 2. Deburr and break all sharp edges.
 Linear Dim's ± 0.5 Hole Diameters $^{+0.1}_{-0.05}$
 Angular Dim's $\pm 1^\circ$ All Bends $90^\circ \pm 0.5$



Logix Engineering Pty Ltd
 28 Spine St, Sumner Park,
 QLD, 4074, Australia
 t: +61 434 034 703
 w: www.logixeng.com.au
 e: tony@logixeng.com.au

Component Type VR-EDC-T1	
Finish POWDERCOATED	Material ALUMINIUM 2.5 mm

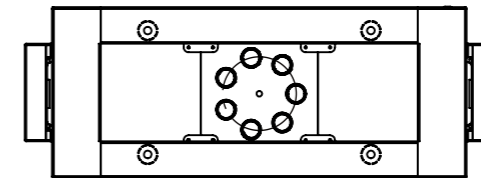
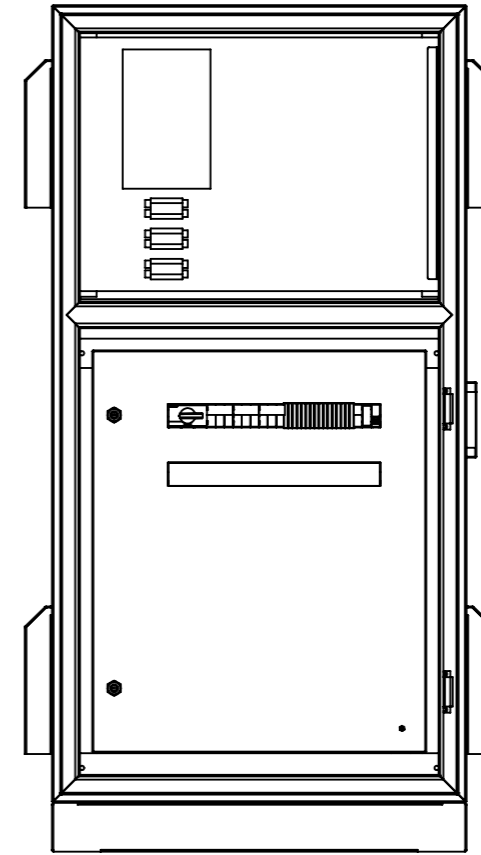
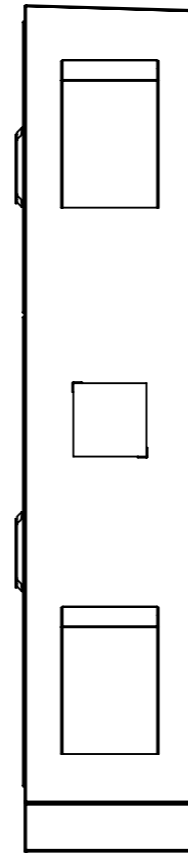
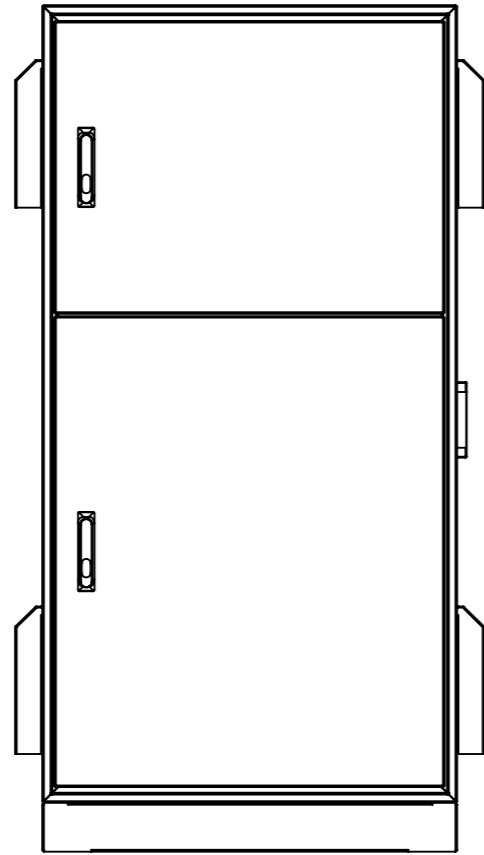
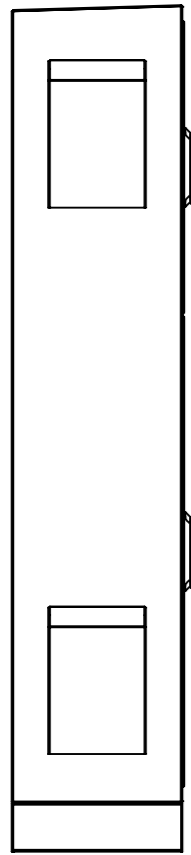
Linear tolerance	C
Angular tolerance	C
Geometry tolerance	L

Component / Assembly Description
DISTRIBUTION CABINET TYPE 1

Date Printed 17/02/2020	Date Created 12/02/2020
Checked RJS	Author RJS
Mass Kgs.	



Drawing Status RELEASED FOR MANUFACTURE		Drawing Type
Scale 1:5	Sheet No. 5 of 6	Sheet size A3
Drawing No. VR-EDC-T1		Drg Rev 1A



UNLESS NOTED OTHERWISE:
 1. Dimensions in millimetres.
 2. Deburr and break all sharp edges.
 Linear Dim's ± 0.5 Hole Diameters $^{+0.1}_{-0.05}$
 Angular Dim's $\pm 1^\circ$ All Bends $90^\circ \pm 0.5$



Logix Engineering Pty Ltd
 28 Spine St, Sumner Park,
 QLD, 4074, Australia
 t: +61 434 034 703
 w: www.logixeng.com.au
 e: tony@logixeng.com.au

Component Type
VR-EDC-T1

Finish
POWDERCOATED

Material
**ALUMINIUM
 2.5 mm**

Linear tolerance C
 Angular tolerance C
 Geometry tolerance L

Component / Assembly Description
DISTRIBUTION CABINET TYPE 1

Date Printed
17/02/2020 Date Created
12/02/2020



Drawing Status
RELEASED FOR MANUFACTURE

Drawing Type

Checked
RJS Author
RJS Mass
Kgs.

Scale
1:15.5 Sheet No.
6 of 6 Sheet size
A3

Drawing No.
VR-EDC-T1 Drg Rev
1A