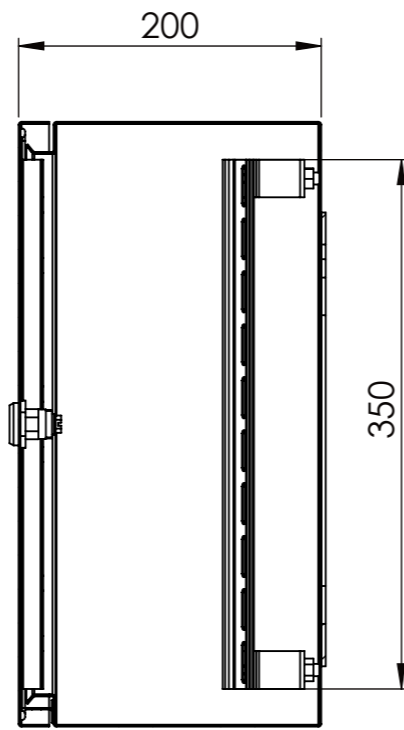
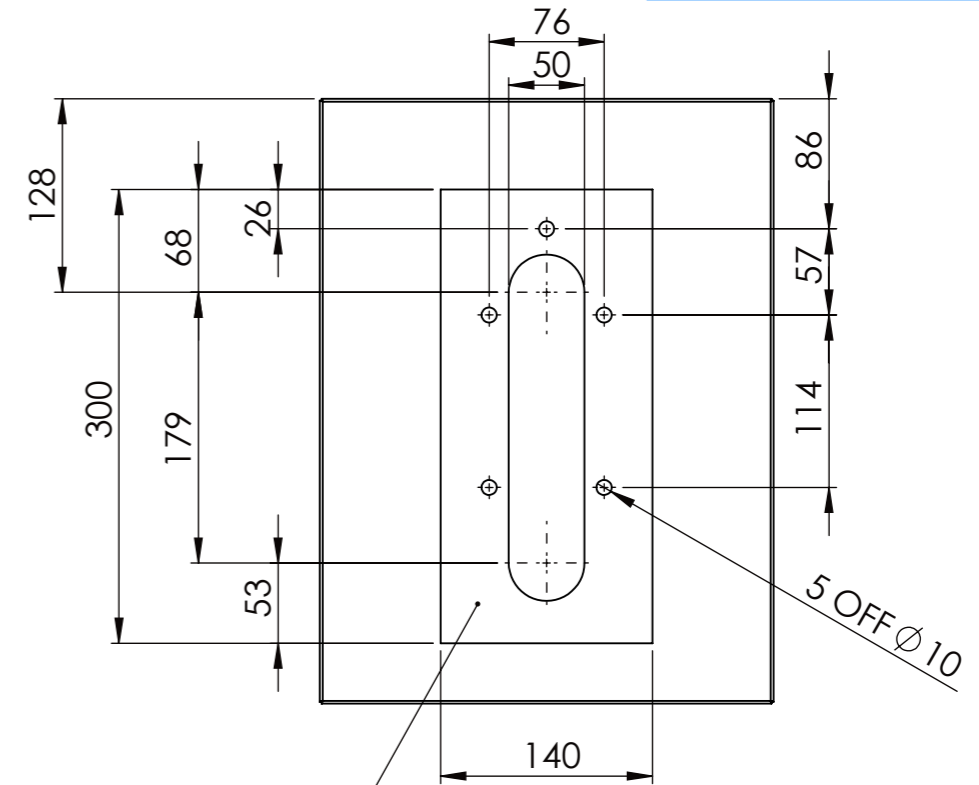


FRONT VIEW

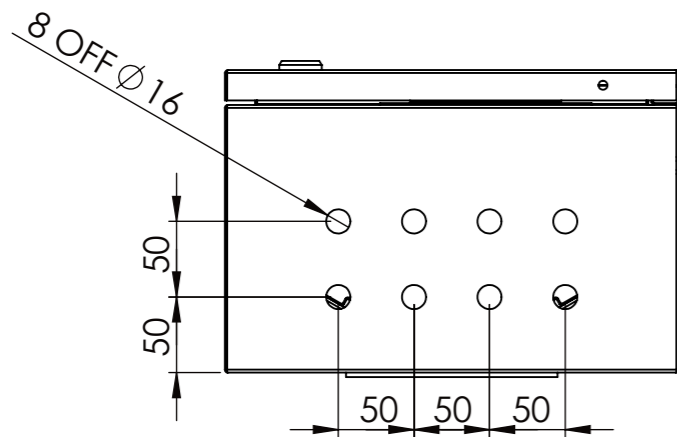


SECTION A-A

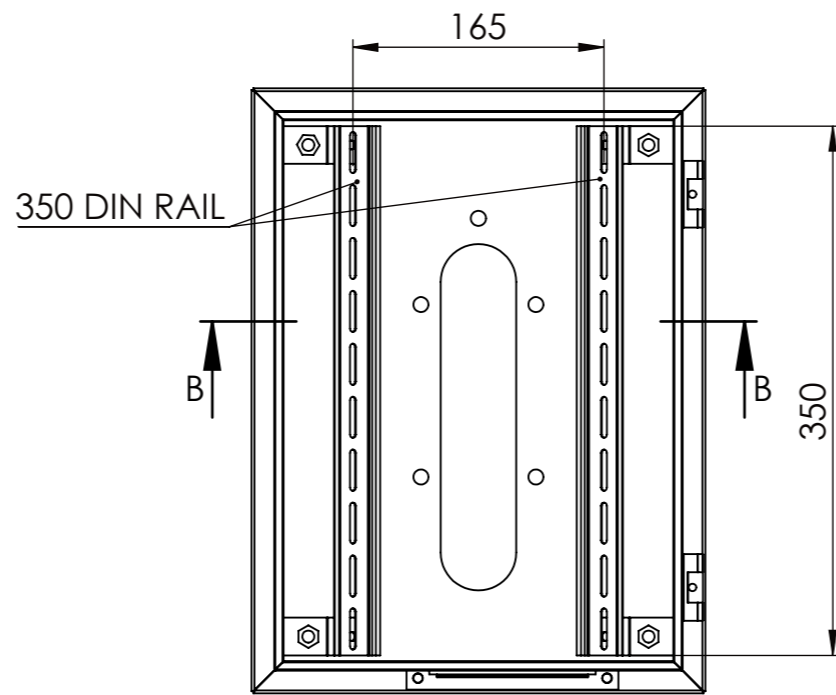


3MM CORK GASKET

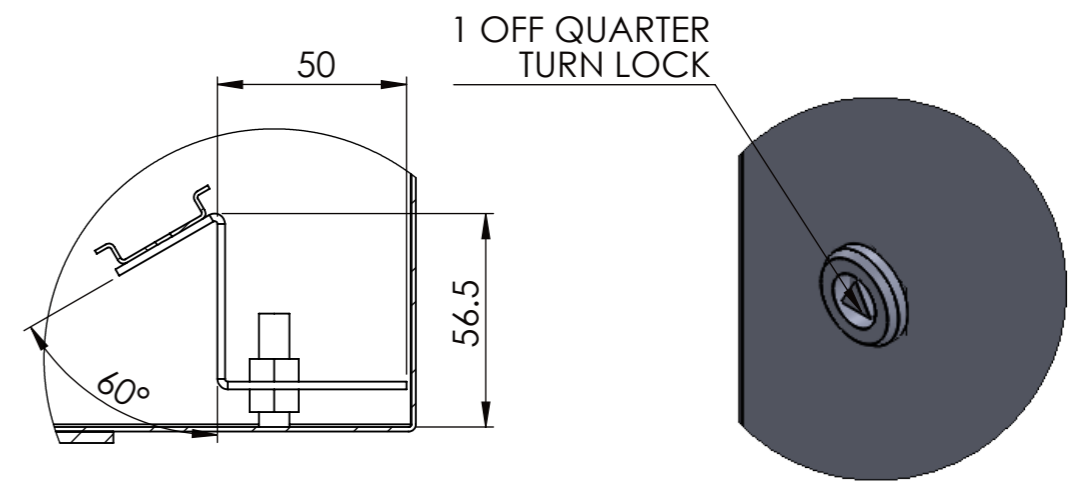
REAR CUTOUT



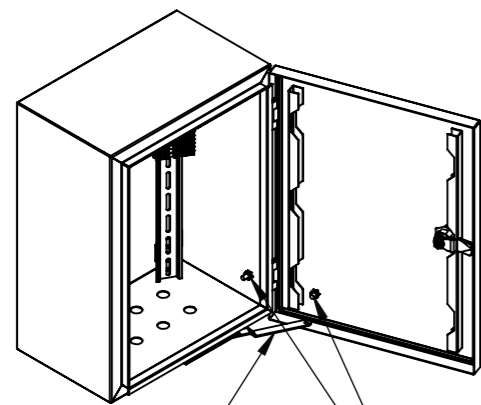
BOTTOM VIEW



FRONT VIEW



SECTION B-B
SCALE 1 : 2



DOOR STAY

EARTH STUD

ISOMETRIC VIEW

UNLESS NOTED OTHERWISE:
 1. Dimensions in millimetres.
 2. Deburr and break all sharp edges.

Linear Dim's ± 0.5	Hole Diameters $^{+0.1}_{-0.05}$
Angular Dim's $\pm 1^\circ$	All Bends $90^\circ \pm 0.5$

Linear tolerance	C
Angular tolerance	C
Geometry tolerance	L

Date Printed 17/03/2020 Date Created 11/07/2019

Checked RJS	Author RJS	Mass Kgs.
-------------	------------	-----------

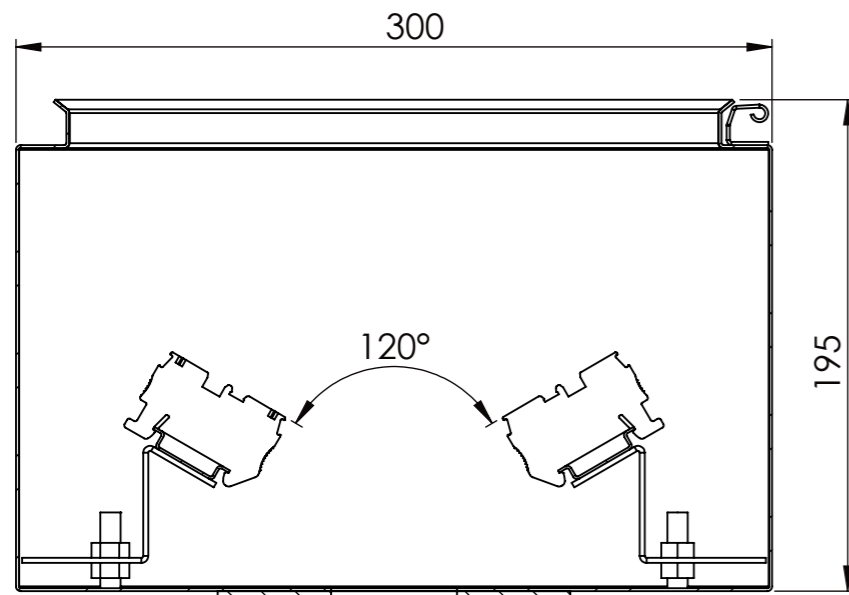
LOGIX ENGINEERING

Logix Engineering Pty Ltd
 28 Spine St, Sumner Park,
 QLD, 4074, Australia
 t: +61 434 034 703
 w: www.logixeng.com.au
 e: tony@logixeng.com.au

Component / Assembly Description
TRAFFIC SIGNAL MAST ARM TERMINAL BOX

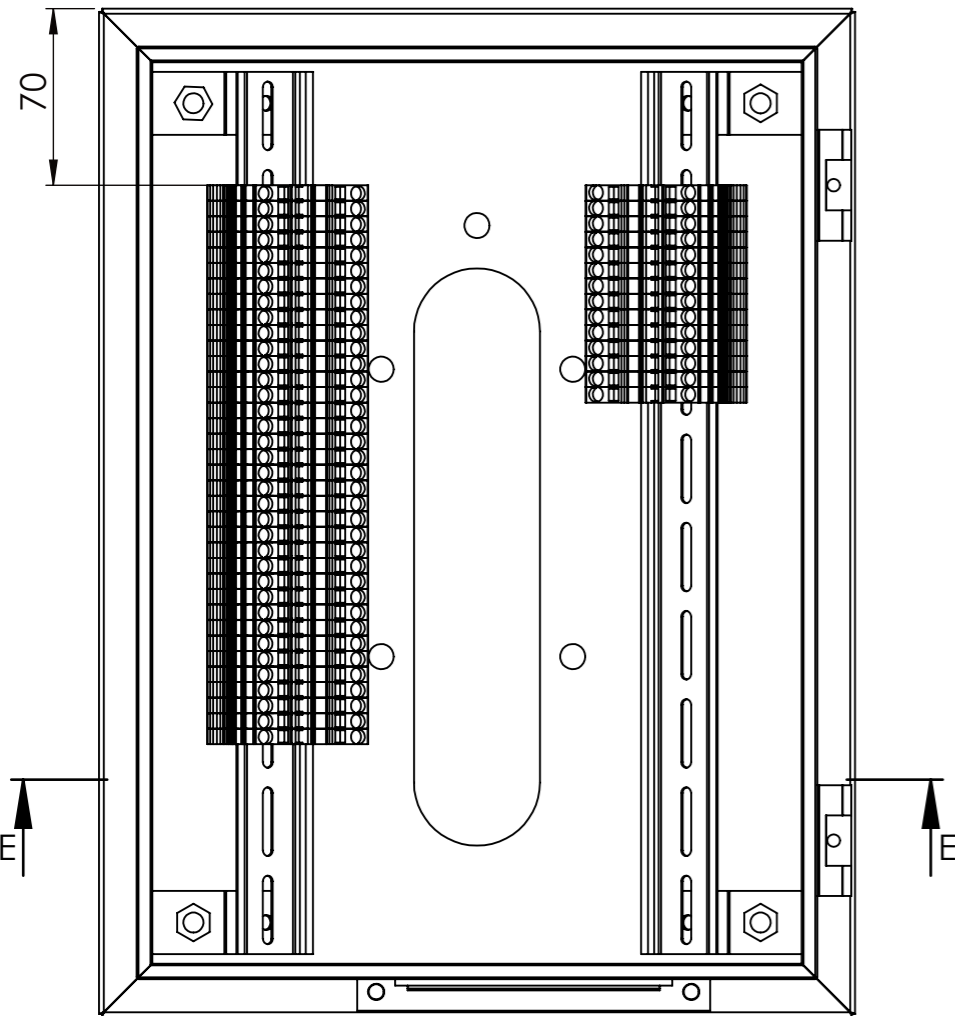
AS1100

Component Type	ENCLOSURE	
Finish	N4	Material
		1.5 mm
Drawing Status	RELEASED FOR MANUFACTURE	
Scale	1:5	Drawing Type
Sheet No.	1 of 2	
Sheet size	A3	
Drawing No.	WBS4 3020/ TMR/ TSMATB	Drg Rev
		2A



SECTION E-E

MANUFACTURER	SUPPLIER	DESCRIPTION	PART NUMBER	DETAIL	QTY
LOGIX	LOGIX	400h X 300W X 200mm 316 STAINLESS STEEL	TMR-TSMATB 43020	316 STAINLESS STEEL ENCLOSURE WITH TRIANGULAR LOCK HINGED DOOR AND DOOR RESTRAINT	1
LOGIX	LOGIX	300H X 140W X 3mm UV Stabilized Gasket			1
LOGIX	LOGIX	350mm Long Din Rail			2
LOGIX	LOGIX	Din Rail Bracket			4
WAGO	WAGO	WAGO TERMINAL 4 sqmm GREY	2202-1401	GREY 4 CONDUCTOR THROUGH TERMINAL BLOCK WITH PUSH BUTTON 4mm PUSH IN CAGE CLAMP	38
WAGO	WAGO	WAGO TERMINAL 4 sqmm BLUE	2202-1404	BLUE 4 CONDUCTOR THROUGH TERMINAL BLOCK WITH PUSH BUTTON 4mm PUSH IN CAGE CLAMP	6
WAGO	WAGO	WAGO TERMINAL 6sqmm EARTH	2206-1207	EARTH 2 CONDUCTOR GROUND TERMINAL BLOCK WITH PUSHBUTTON 6mm PUSH IN CAGE CLAMP	6
WAGO	WAGO	WAGO END STOP	249-116	SCREWLESS END STOP 6mm WIDE FOR DIN RAIL 35 X 15 AND 35 X 7.5	4
WAGO	WAGO	WAGO END PLATE	2004-1492	END AND INTERMEDIATE PLATE 1mm THICK	1
WAGO	WAGO	WAGO SEPERATOR PLATE	2004-1494	SEPERATOR PLATE 3mm THICK OVERSIZED	3
WAGO	WAGO	WAGO 2 WAY CONNECTOR	2004-402	PUSHIN TYPE JUMPER BAR INSULATED 2 WAY 32A	1
WAGO	WAGO	WAGO 4 WAY CONNECTOR	2004-404	PUSHIN TYPE JUMPER BAR INSULATED 4 WAY 32A	1
WAGO	WAGO	WAGO END PLATE	2006-1292	END AND INTERMEDIATE PLATE 1mm THICK	1
WAGO	WAGO	TERMINAL NUMBERS	2009-110	MARKING STRIPS ON REEL NON STRETCHABLE -PLAIN SNAP ON TYPE	0.01
LOGIX	LOGIX	6sqmm TERMINAL LUG			2
LOGIX	LOGIX	6sqmm EARTH CABLE 250mm LONG			2



FRONT VIEW

UNLESS NOTED OTHERWISE:
 1. Dimensions in millimetres.
 2. Deburr and break all sharp edges.
 Linear Dim's ± 0.5 Hole Diameters $^{+0.1}_{-0.05}$
 Angular Dim's $\pm 1^\circ$ All Bends $90^\circ \pm 0.5$

LOGIX ENGINEERING
 Logix Engineering Pty Ltd
 28 Spine St, Sumner Park,
 QLD, 4074, Australia
 t: +61 434 034 703
 w: www.logixeng.com.au
 e: tony@logixeng.com.au

Component Type	ENCLOSURE
Finish	N4
Material	1.5 mm

Linear tolerance	C
Angular tolerance	C
Geometry tolerance	L

Component / Assembly Description
TRAFFIC SIGNAL MAST ARM TERMINAL BOX

Date Printed	17/03/2020	Date Created	11/07/2019
Checked	RJS	Author	RJS
Mass	Kgs.		



Drawing Status	RELEASED FOR MANUFACTURE			Drawing Type	
Scale	1:3	Sheet No.	2 of 2	Sheet size	A3
Drawing No.	WBS4 3020/ TMR/ TSMATB			Drg Rev	2A