

ISOMETRIC VIEW

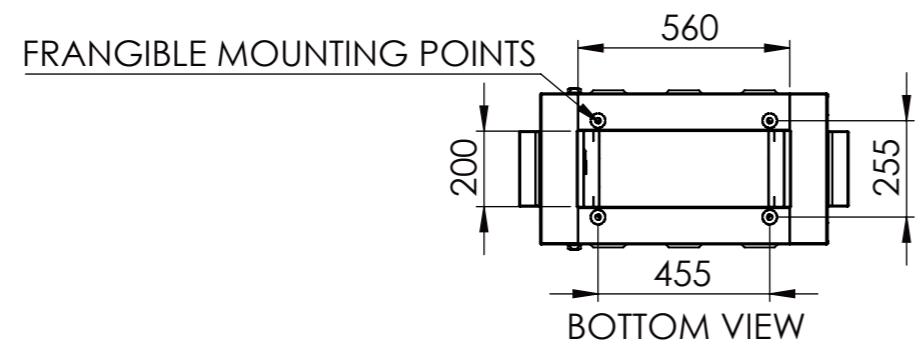
SECTION B-B

FRONT VIEW

SIDE VIEW
VERMIN SCREEN
BEHIND LOUVERS

FRONT VIEW
DOORS REMOVED

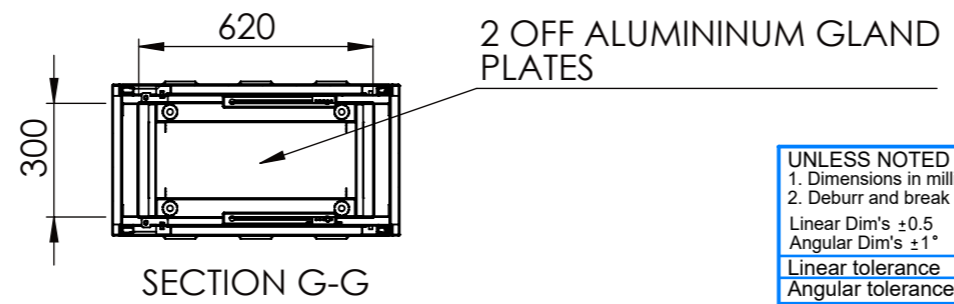
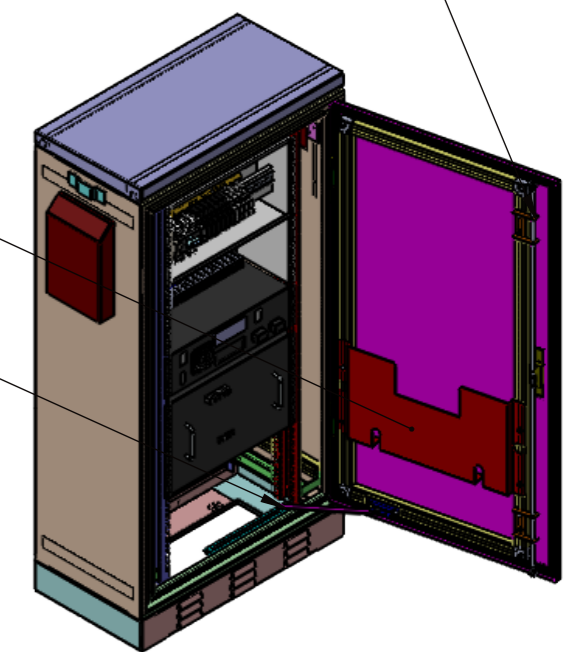
3 POINT LOCKING



BOTTOM VIEW

CARD HOLDER

DOOR STAY



SECTION G-G

UNLESS NOTED OTHERWISE:
 1. Dimensions in millimetres.
 2. Deburr and break all sharp edges.

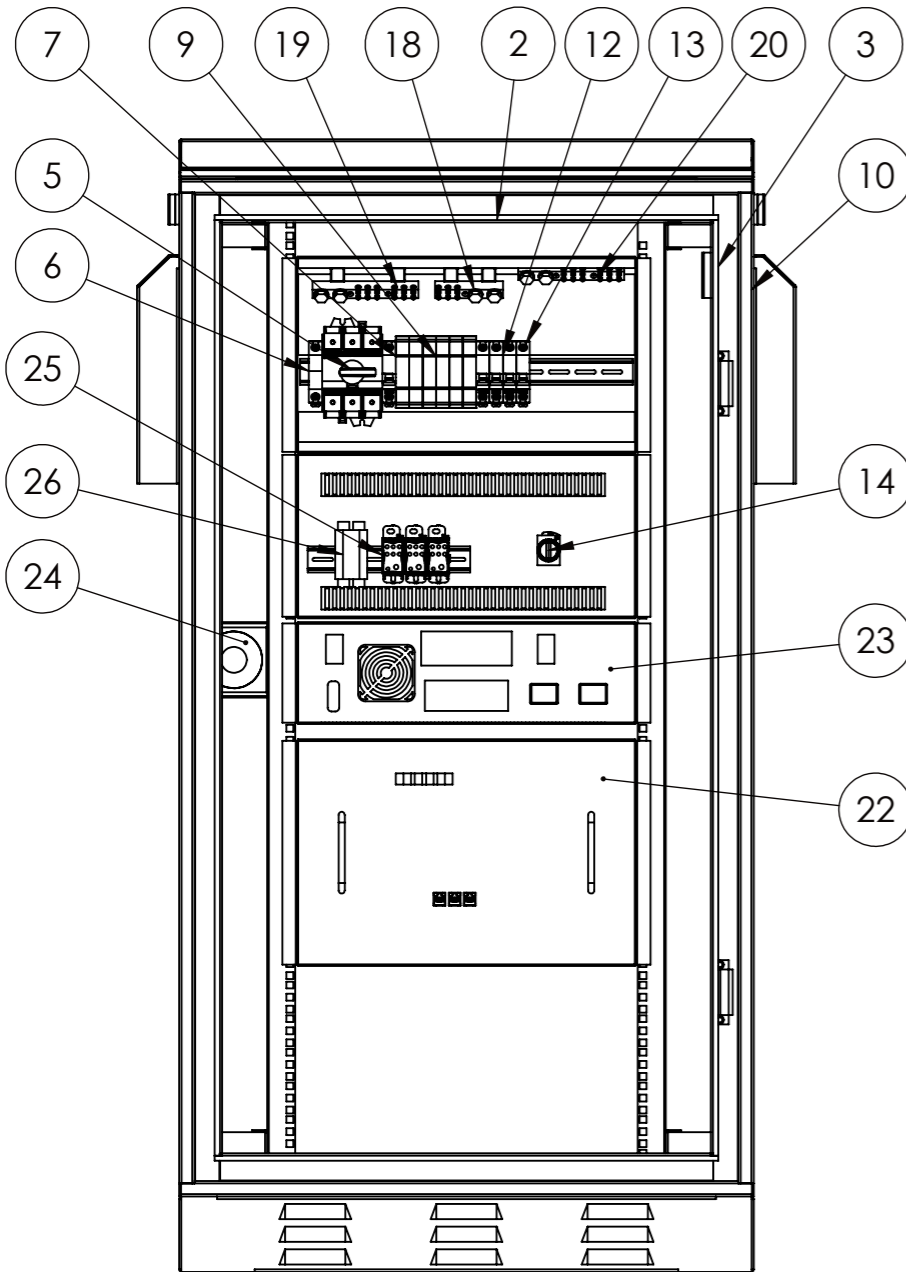
Linear Dim's ± 0.5	Hole Diameters $^{+0.1}_{-0.05}$
Angular Dim's $\pm 1^\circ$	All Bends $90^\circ \pm 0.5$
Linear tolerance	C
Angular tolerance	C
Geometry tolerance	L

Date Printed: 25/02/2020 Date Created: 24/02/2020
 Checked: RJS Author: RJS Mass: 65 Kgs.

LOGIX ENGINEERING
 Logix Engineering Pty Ltd
 28 Spine St, Sumner Park,
 QLD, 4074, Australia
 t: +61 434 034 703
 w: www.logixeng.com.au
 e: tony@logixeng.com.au

Component / Assembly Description
UPS FOR TRAFFIC SIGNALS

Component Type	TMR-UPS-TSC-LI-2000-Q	
Finish	T33 SMOKE BLUE	Material ALUMINIUM 2.5mm
Drawing Status	RELEASED FOR MANUFACTURE	
Scale	1:20	Sheet No. 1 of 3
Sheet size	A3	Drawing No. TMR-UPS-TSC-LI-2000-Q
Drawing Type	Drg Rev. 1A	



FRONT VIEW

1	LOADCENTRE	LOGIX ENGINEERING	ITCS-LC-6U	1
2	LIGHT	SAL	SL9706TC	1
3	DOOR SWITCH	SCHNEIDER	XCX	1
4	GPO	CLIPSAL	20255	1
5	MAIN SWITCH / GENERATOR CHANGEOVER SWITCH	SIRCO	SCOM403P + SCOM403PD	1
6	1P 32A HRC FUSE	LEGRAND	O5808	2
7	10A FUSE LINK	LITTLE FUSE	OKLK010T	1
8	LINE AND LOAD SHROUD	SIRCO		2
9	SURGE FILTER	NOVARIS	SFD1-32-100-275A	1
10	FAN	LINKWELL	FK 5522.230	1
11	THERMOSTAT	LINKWELL	JWT6011F	1
12	6A RCBO	SCHNEIDER	A9D61806	3
13	MCB 32A 1P 6KA	SCHNEIDER	A9F44132	1
14	UPS BYPASS SWITCH	KRAUS & NAIMER	C26S AU006203 – 600 E-V AUS0001	1
15	TERMINALS	WEIDMULLER	SAK4	8
16	ENDPLATE	WEIDMULLER	WAP2.5-10	2
17	END CLAMPS	WEIDMULLER	EW35	4
18	NEUTRAL (4WAY)	NETEC	SPB170323	1
19	NEUTRAL (12 WAY)	NETEC	NE22C012X	1
20	EARTH	NETEC	NE22C012X	1
21	NEUTRAL FEET	NETEC	INSF-M5S	4
22	BATTERY LIFEP04	BKT ELECTRONICS	IFS48-1000-E3 48V 100AH	1
23	UPS 2000VA LINE INTERACTIVE	ALPHA TECHNOLOGY	FXM2000	1
24	15A SOCKET	CLIPSAL	56AI315	1
25	PLC	ALLAN BRADLEY	2080LC2020QBB	1
26	PLC POWER SUPPLY	ALLAN BRADLEY	2080PS120240VAC	1

UNLESS NOTED OTHERWISE:
 1. Dimensions in millimetres.
 2. Deburr and break all sharp edges.

Linear Dim's ± 0.5 Hole Diameters $^{+0.1}_{-0.05}$
 Angular Dim's $\pm 1^{\circ}$ All Bends $90^{\circ} \pm 0.5$

Linear tolerance	C
Angular tolerance	C
Geometry tolerance	L

Date Printed: **25/02/2020** Date Created: **24/02/2020**

Checked	Author	Mass
RJS	RJS	65 Kgs.

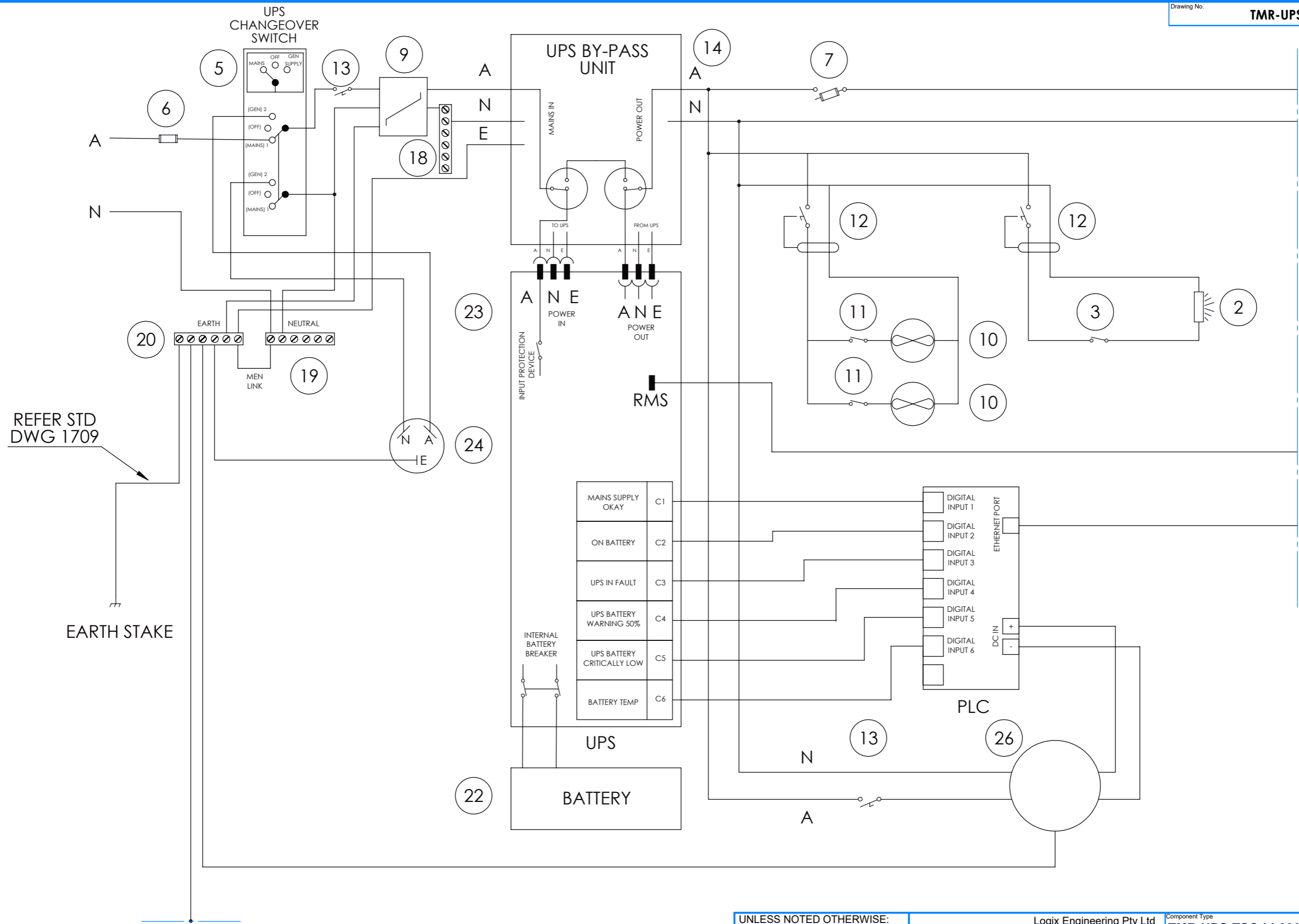
LOGIX ENGINEERING

Logix Engineering Pty Ltd
 28 Spine St, Sumner Park,
 QLD, 4074, Australia
 t: +61 434 034 703
 w: www.logixeng.com.au
 e: tony@logixeng.com.au

Component / Assembly Description
UPS FOR TRAFFIC SIGNALS

AS1100

Component Type	TMR-UPS-TSC-LI-2000-Q	
Finish	T33 SMOKE BLUE	Material ALUMINIUM 2.5mm
Drawing Status	RELEASED FOR MANUFACTURE	
Drawing Type		
Scale	Sheet No.	Sheet size
1:10	2 of 3	A3
Drawing No.	TMR-UPS-TSC-LI-2000-Q	
Drg Rev	1A	



REFER STD DWG 1709

EARTH STAKE

UNLESS NOTED OTHERWISE: 1. Dimensions in millimetres. 2. Deburr and break all sharp edges. Linear Dim's ± 0.5 Hole Diameters $^{+0.1}_{-0.05}$ Angular Dim's $\pm 1^\circ$ All Bends $90^\circ \pm 0.5$		Logix Engineering Pty Ltd 28 Spine St, Summer Park, QLD, 4074, Australia t: +61 434 034 703 w: www.logixeng.com.au e: tony@logixeng.com.au	Component Type TMR-UPS-TSC-LI-2000-Q
Linear tolerance C Angular tolerance C Geometry tolerance L	Finish T33 SMOKE BLUE Material ALUMINIUM 2.5mm		
Date Printed 25/02/2020 Date Created 24/02/2020		Component / Assembly Description UPS FOR TRAFFIC SIGNALS	
Checked RJS Author RJS Mass 65 Kgs.	Drawing Status RELEASED FOR MANUFACTURE	Drawing Type 1A	Drawing No. TMR-UPS-TSC-LI-2000-Q
Scale 1:10 Sheet No. 3 of 3 Sheet size A3	Drawing No. TMR-UPS-TSC-LI-2000-Q	Drg Rev 1A	Drawing No. TMR-UPS-TSC-LI-2000-Q