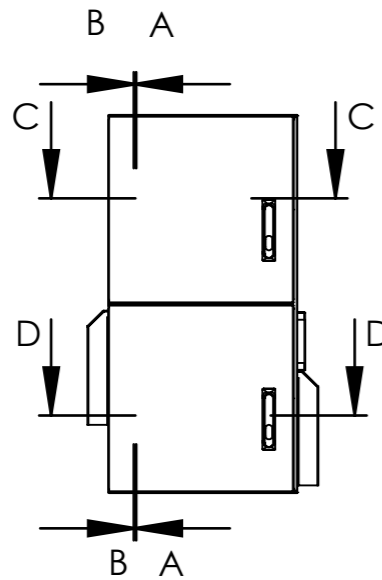
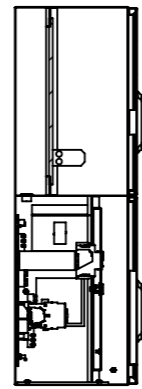


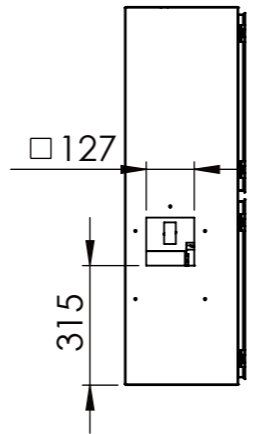
SECTION C-C



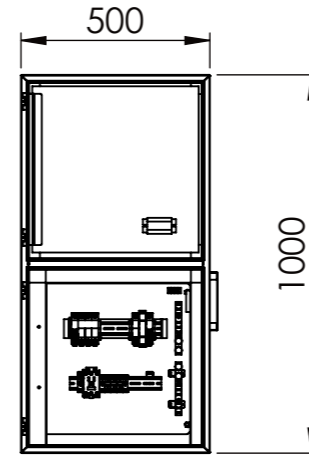
SECTION A-A



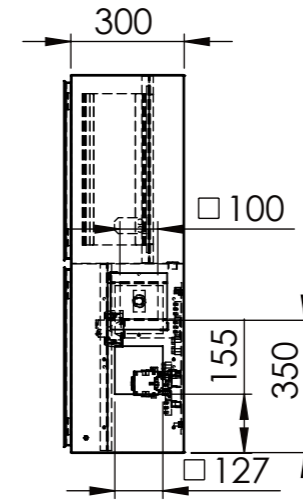
SECTION B-B



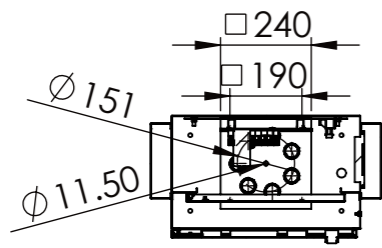
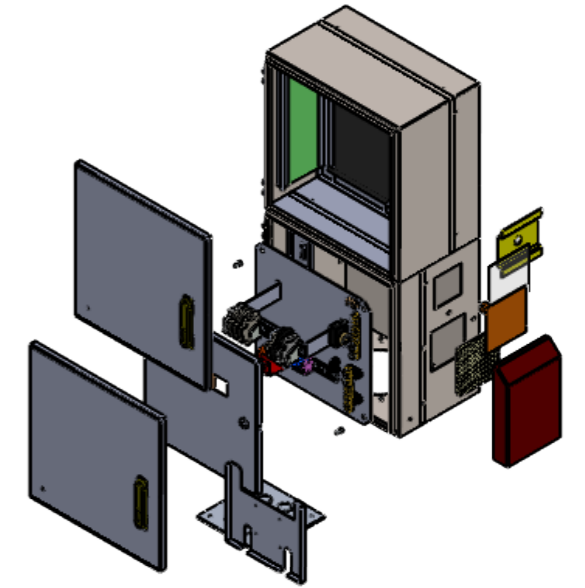
SIDE VIEW



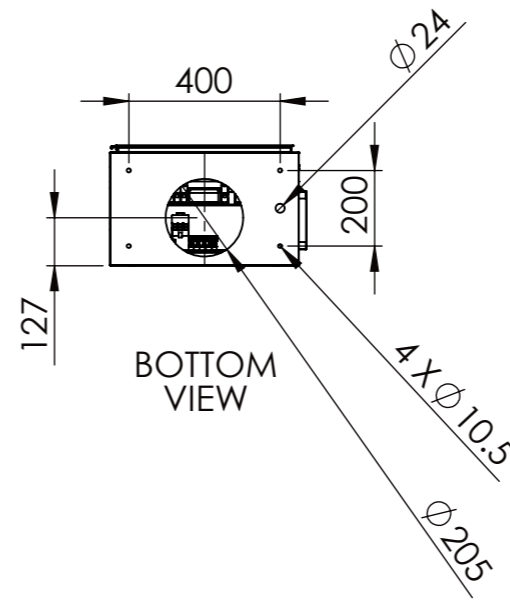
FRONT VIEW



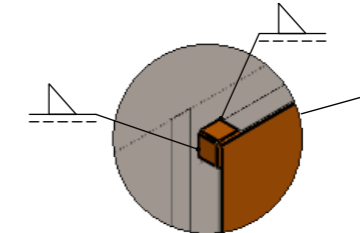
SIDE VIEW



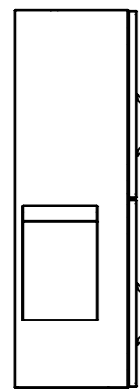
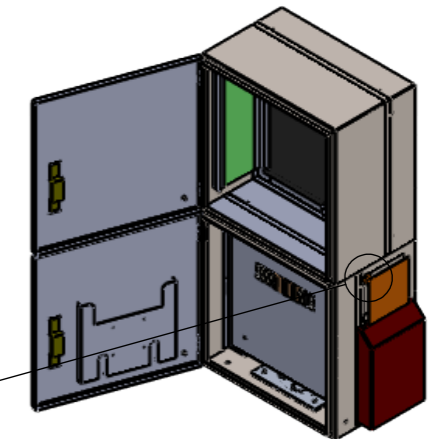
SECTION D-D



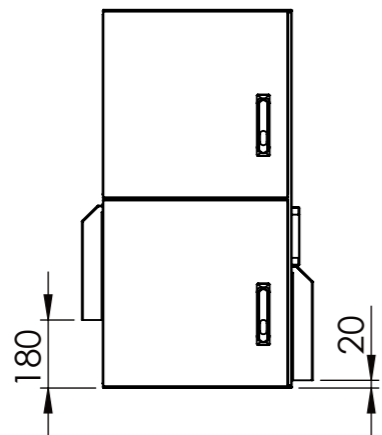
BOTTOM VIEW



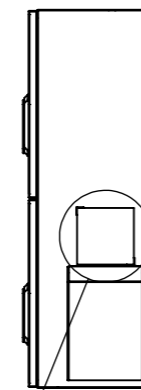
DETAIL O LIGHT DEFLECTOR WELD DETAIL



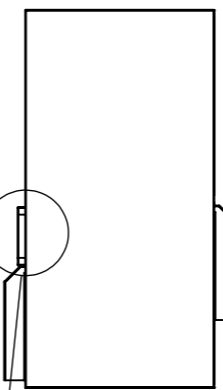
SIDE VIEW



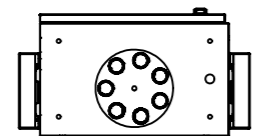
FRONT VIEW



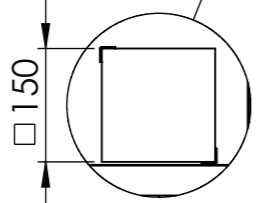
SIDE VIEW



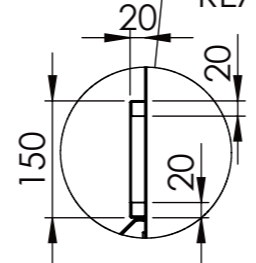
REAR VIEW



BOTTOM VIEW



DETAIL N LIGHT DEFLECTOR



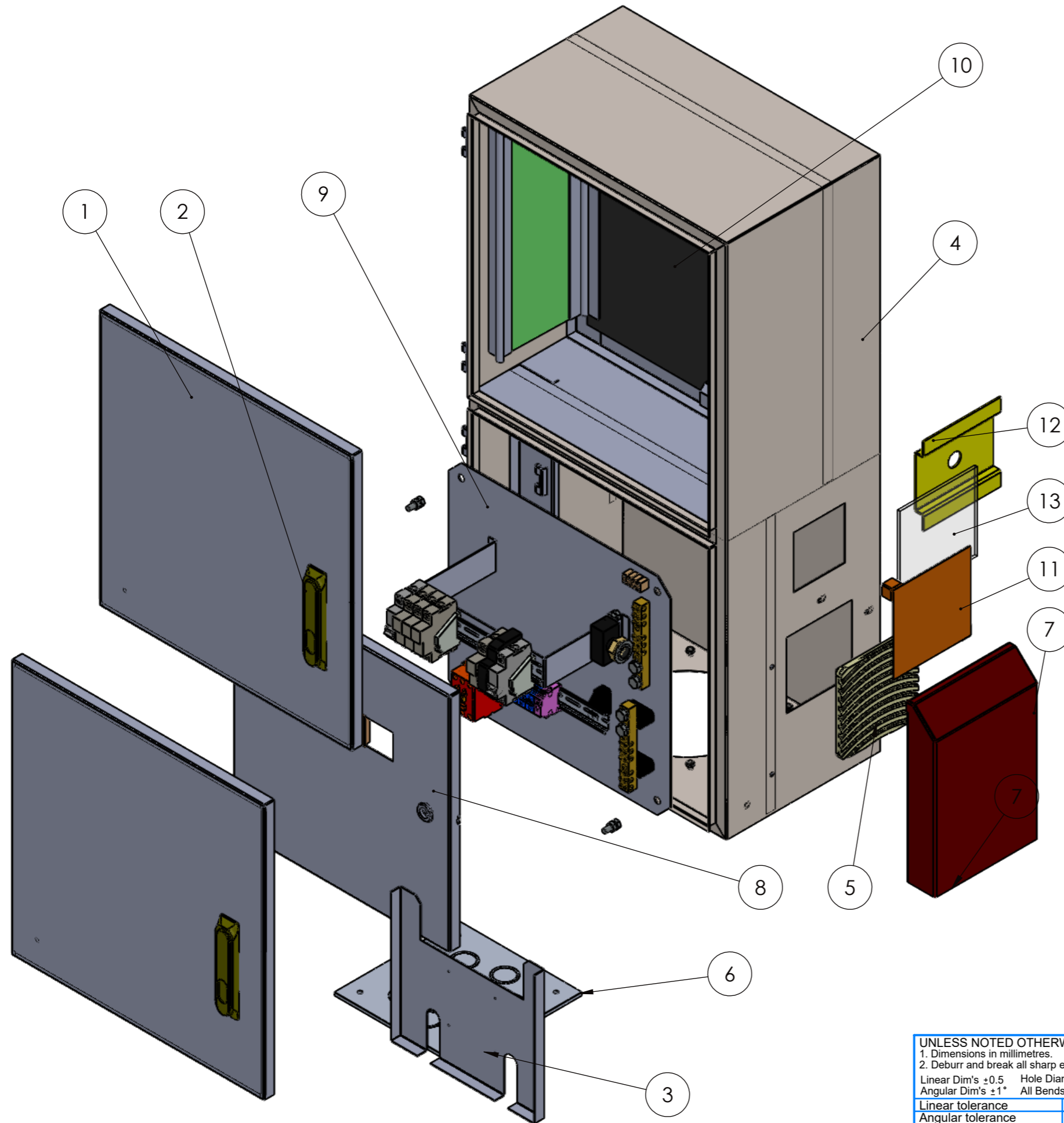
DETAIL M LIGHT DEFLECTOR

UNLESS NOTED OTHERWISE: 1. Dimensions in millimetres. 2. Deburr and break all sharp edges.		
Linear Dim's ±0.5	Hole Diameters <sup>+0.1</sup> <sub>-0.05</sub>	
Angular Dim's ±1°	All Bends 90° ±0.5	
Linear tolerance	C	
Angular tolerance	C	
Geometry tolerance	L	
Date Printed	Date Created	
5/02/2020	3/02/2020	
Checked	Author	Mass
RJS	RJS	Kgs.

**LOGIX ENGINEERING**  
 Logix Engineering Pty Ltd  
 28 Spine St, Sumner Park,  
 QLD, 4074, Australia  
 t: +61 434 034 703  
 w: www.logixeng.com.au  
 e: tony@logixeng.com.au

Component Type	<b>TMR R3LM - 1P POLE MOUNT ENCLOSURE</b>
Finish	<b>BRUSHED</b>
Material	<b>STAINLESS STEEL</b>

Component / Assembly Description		<b>RATE 3 METERED SINGLE PHASE ENCLOSURE</b>	
Drawing Status	<b>RELEASED FOR MANUFACTURE</b>		Drawing Type
Scale	Sheet No.	Sheet size	Drawing No.
1:20	1 of 6	A3	<b>TMR R3LM - 1P 2A</b>



ITEM NO.	PART NUMBER	QTY.
1	TMR-R3LM-1P-DOOR	2
3	CARD-HOLDER	1
4	TMR-R3LM-1P-BODY	1
5	FILTER	2
6	TMR-R3LM-1P -INTERNAL-GP	1
7	FILTER-HOOD	2
8	ESCUCHEON-0505-1-A	1
9	TMR-R3LM-1P-MP	1
10	RATE 3 BLACK-PANEL-HINGED	1
11	WELDED LIGHT DEFLECTOR	1
12	PE CELL HOUSING	1
13	PE CELL HOUSING LENSE COVER	1
51	RSE130704-LOCK-PAD	2
52	1P-FUSE-LEGRAND-5808	1
53	PE-CELL-TERMINAL-BLOCK WEIDMULLER	1
54	EARTH-NEUTRAL-FEET NETEC	4

UNLESS NOTED OTHERWISE:  
 1. Dimensions in millimetres.  
 2. Deburr and break all sharp edges.

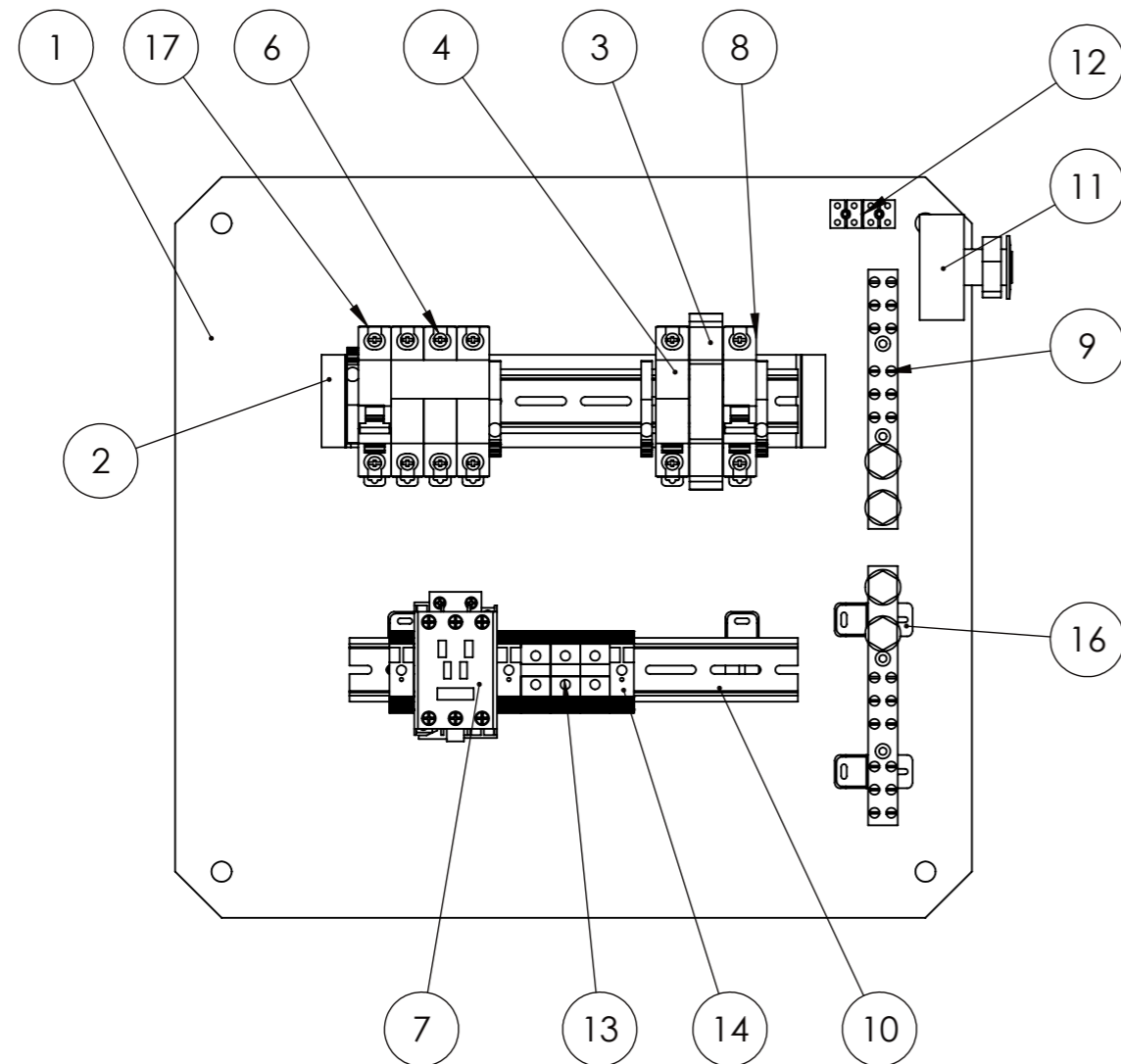
Linear Dim's $\pm 0.5$	Hole Diameters $^{+0.1}_{-0.05}$
Angular Dim's $\pm 1^{\circ}$	All Bends $90^{\circ} \pm 0.5$

Linear tolerance	C
Angular tolerance	C
Geometry tolerance	L

Date Printed	Date Created
5/02/2020	3/02/2020

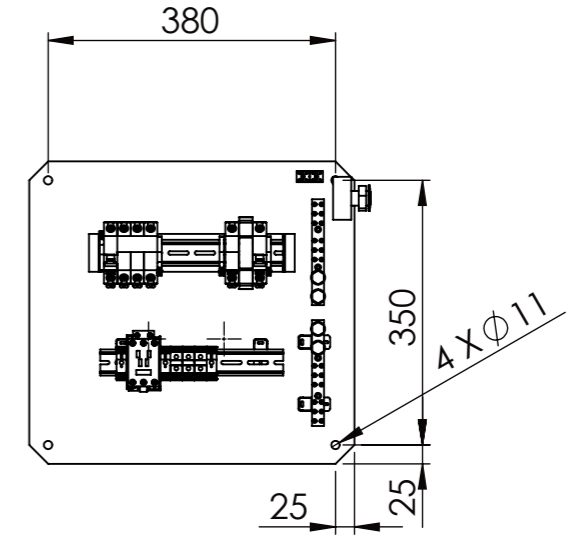
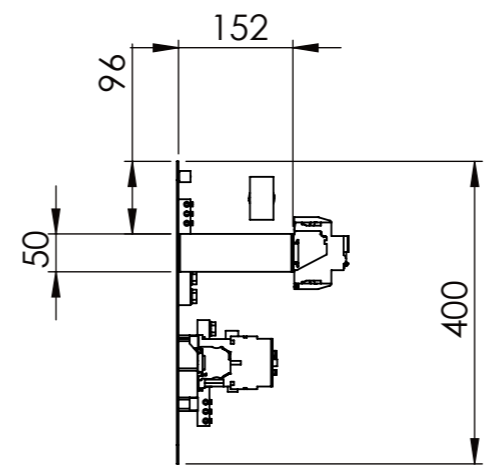
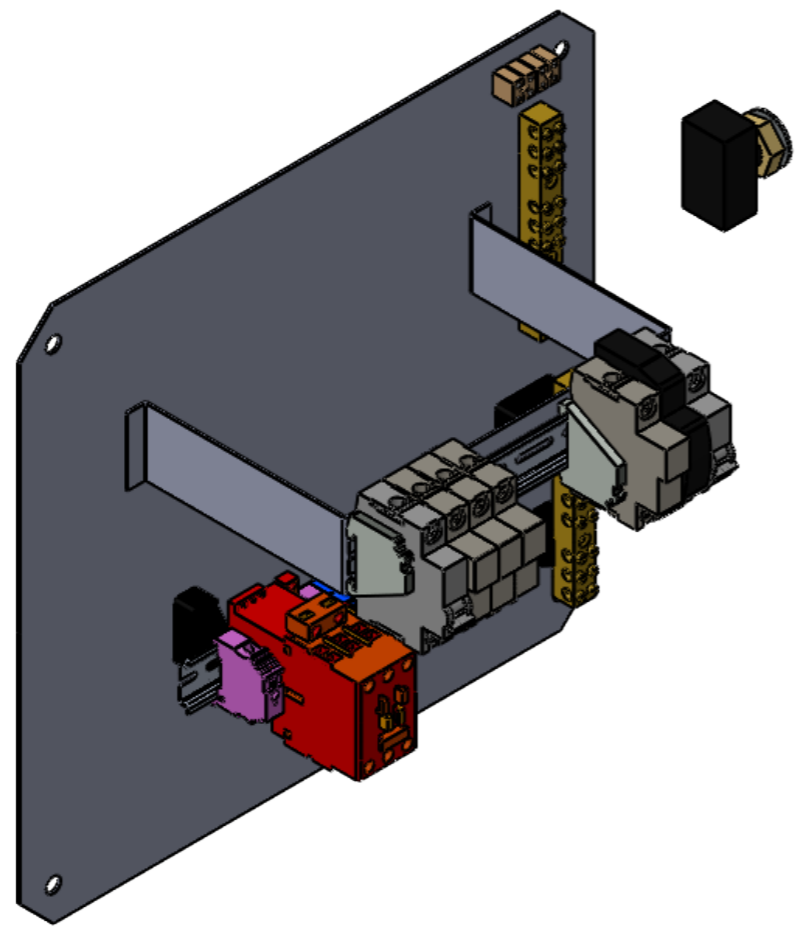
Checked	Author	Mass
RJS	RJS	Kgs.

	Logix Engineering Pty Ltd 28 Spine St, Sumner Park, QLD, 4074, Australia t: +61 434 034 703 w: www.logixeng.com.au e: tony@logixeng.com.au	Component Type <b>TMR R3LM - 1P POLE MOUNT ENCLOSURE</b>
	Finish <b>BRUSHED</b>	Material <b>STAINLESS STEEL</b>
Component / Assembly Description <b>RATE 3 METERED SINGLE PHASE ENCLOSURE</b>		
Drawing Status <b>RELEASED FOR MANUFACTURE</b>	Drawing Type TMR R3LM - 1P <span style="float: right;">Drg Rev. 2A</span>	
Scale <b>1:10</b>	Sheet No. <b>2 of 6</b>	Sheet size <b>A3</b>



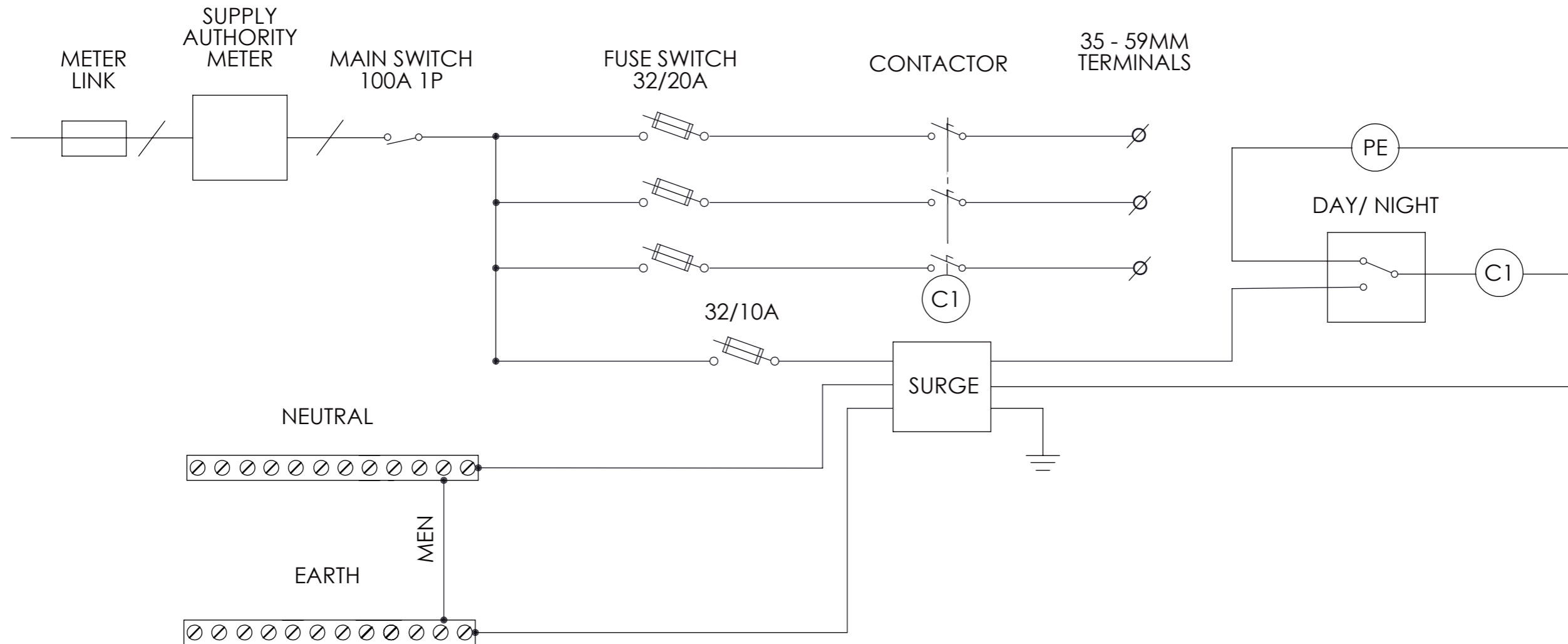
ITEM NO.	PART NUMBER	QTY.
1	TMR-R3LM-1P-MP	1
2	R3LM 5030-TH	1
3	SURGE FILTER-NOVARIS-SSP1-16-15-275	1
4	1P-FUSE-LEGRAND-5808	4
5	FUSE LINK -LEGRAND-13310	1
6	FUSE LINK -LEGRAND-13320	3
7	CONTACTOR CA7-37-00 SPRECHER & SCHUH	1
8	DAY/ NIGHT SWITCH 412900	1
9	NE250A-M006X	2
10	DIN-RAIL 285MM	2
11	PE CELL-ROYCE THOMPSON-MICROSTAR 2000 ST	1
12	PE TERMINAL WEIDMULLER MK3/12 0243520000	1
13	WDU35-35MM TERMINAL	3
14	WEW35-1-LARGE-END-CLAMP	2
15	WEIDMULLER-EW-35	2
16	EARTH-NEUTRAL-FEET NETEC	4
17	10 MAIN SWITCH SCHNEIDER A9S66191 1	1

<p>UNLESS NOTED OTHERWISE:                  1. Dimensions in millimetres.                  2. Deburr and break all sharp edges.                  Linear Dim's <math>\pm 0.5</math> Hole Diameters <math>^{+0.1}_{-0.05}</math>                  Angular Dim's <math>\pm 1^\circ</math> All Bends <math>90^\circ \pm 0.5</math></p>		<p><b>LOGIX</b> ENGINEERING                  Logix Engineering Pty Ltd                  28 Spine St, Sumner Park,                  QLD, 4074, Australia                  t:+61 434 034 703                  w: www.logixeng.com.au                  e: tony@logixeng.com.au</p>	<p>Component Type  <b>TMR R3LM - 1P POLE MOUNT ENCLOSURE</b></p>	
<p>Linear tolerance C                  Angular tolerance C                  Geometry tolerance L</p>			<p>Material <b>STAINLESS STEEL</b></p>	
<p>Date Printed <b>5/02/2020</b> Date Created <b>3/02/2020</b></p>		<p>Component / Assembly Description  <b>RATE 3 METERED SINGLE PHASE ENCLOSURE</b></p>		
<p>Checked <b>RJS</b> Author <b>RJS</b> Mass <b>Kgs.</b></p>		<p>AS1100</p>		<p>Drawing Status  <b>RELEASED FOR MANUFACTURE</b></p>
<p>Scale <b>1:4</b> Sheet No. <b>3 of 6</b> Sheet size <b>A3</b></p>		<p>Drawing No. <b>TMR R3LM - 1P</b> Drg Rev <b>2A</b></p>		



# R3LM-1P

<b>UNLESS NOTED OTHERWISE:</b> 1. Dimensions in millimetres. 2. Deburr and break all sharp edges. Linear Dim's $\pm 0.5$ Hole Diameters $^{+0.1}_{-0.05}$ Angular Dim's $\pm 1^\circ$ All Bends $90^\circ \pm 0.5$			<b>LOGIX ENGINEERING</b> Logix Engineering Pty Ltd 28 Spine St, Sumner Park, QLD, 4074, Australia t: +61 434 034 703 w: www.logixeng.com.au e: tony@logixeng.com.au		Component Type <b>TMR R3LM - 1P POLE MOUNT ENCLOSURE</b>		
Linear tolerance    C Angular tolerance    C Geometry tolerance    L			Finish <b>BRUSHED</b> Material <b>STAINLESS STEEL</b>		Component / Assembly Description <b>RATE 3 METERED SINGLE PHASE ENCLOSURE</b>		
Date Printed <b>5/02/2020</b>		Date Created <b>3/02/2020</b>		Drawing Status <b>RELEASED FOR MANUFACTURE</b>		Drawing Type <b>TMR R3LM - 1P 2A</b>	
Checked <b>RJS</b>	Author <b>RJS</b>	Mass <b>Kgs.</b>		Scale <b>1:4</b>	Sheet No. <b>4 of 6</b>	Sheet size <b>A3</b>	Drawing No. <b>TMR R3LM - 1P 2A</b>



UNLESS NOTED OTHERWISE:  
 1. Dimensions in millimetres.  
 2. Deburr and break all sharp edges.

Linear Dim's $\pm 0.5$	Hole Diameters $^{+0.1}_{-0.05}$
Angular Dim's $\pm 1^{\circ}$	All Bends $90^{\circ} \pm 0.5$

Linear tolerance	C
Angular tolerance	C
Geometry tolerance	L

Date Printed	Date Created
5/02/2020	3/02/2020

Checked	Author	Mass
RJS	RJS	Kgs.

**LOGIX ENGINEERING**

Logix Engineering Pty Ltd  
 28 Spine St, Sumner Park,  
 QLD, 4074, Australia  
 t: +61 434 034 703  
 w: www.logixeng.com.au  
 e: tony@logixeng.com.au

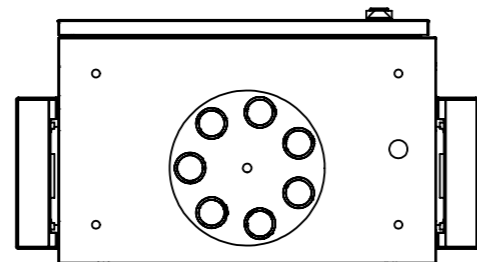
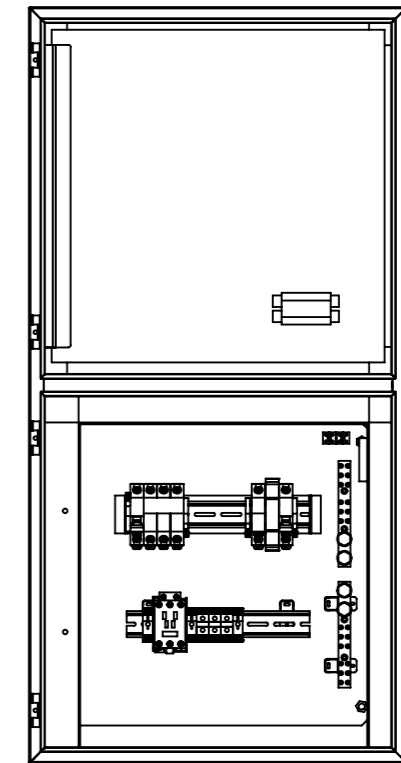
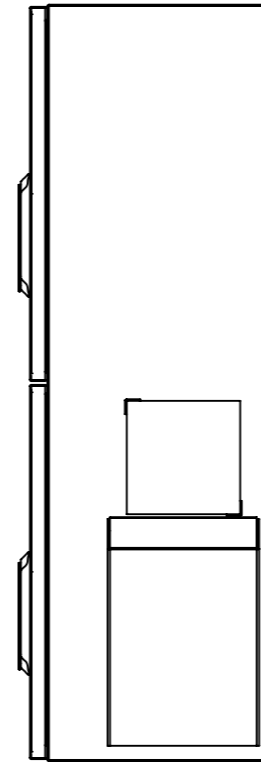
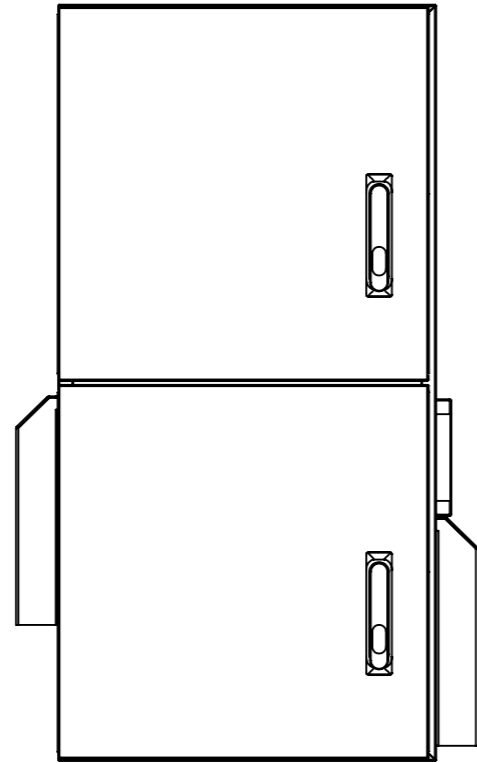
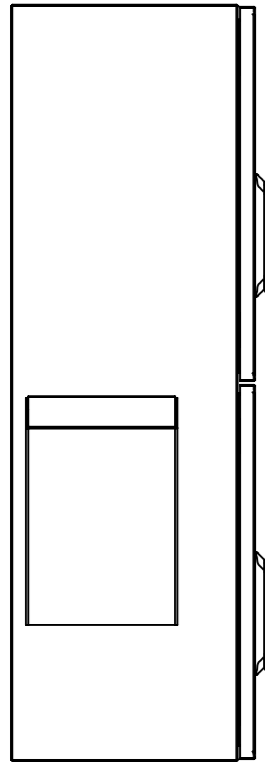
AS1100

Component Type	
<b>TMR R3LM - 1P POLE MOUNT ENCLOSURE</b>	
Finish	Material
<b>BRUSHED</b>	<b>STAINLESS STEEL</b>

Component / Assembly Description	
<b>RATE 3 METERED SINGLE PHASE ENCLOSURE</b>	

Drawing Status	Drawing Type
<b>RELEASED FOR MANUFACTURE</b>	

Scale	Sheet No.	Sheet size	Drawing No.	Drg Rev
<b>1:4</b>	<b>5 of 6</b>	<b>A3</b>	<b>TMR R3LM - 1P</b>	<b>2A</b>



UNLESS NOTED OTHERWISE:  
 1. Dimensions in millimetres.  
 2. Deburr and break all sharp edges.  
 Linear Dim's  $\pm 0.5$  Hole Diameters  $^{+0.1}_{-0.05}$   
 Angular Dim's  $\pm 1^\circ$  All Bends  $90^\circ \pm 0.5$



Logix Engineering Pty Ltd  
 28 Spine St, Sumner Park,  
 QLD, 4074, Australia  
 t: +61 434 034 703  
 w: www.logixeng.com.au  
 e: tony@logixeng.com.au

Component Type  
**TMR R3LM - 1P POLE MOUNT ENCLOSURE**

Finish **BRUSHED**

Material **STAINLESS STEEL**

Linear tolerance	C
Angular tolerance	C
Geometry tolerance	L

Component / Assembly Description  
**RATE 3 METERED SINGLE PHASE ENCLOSURE**

Date Printed	Date Created
<b>5/02/2020</b>	<b>3/02/2020</b>



Drawing Status	Released for Manufacture	Drawing Type
----------------	--------------------------	--------------

Checked	Author	Mass
<b>RJS</b>	<b>RJS</b>	<b>Kgs.</b>

Scale	Sheet No.	Sheet size	Drawing No.	Drg Rev
<b>1:10</b>	<b>6 of 6</b>	<b>A3</b>	<b>TMR R3LM - 1P</b>	<b>2A</b>