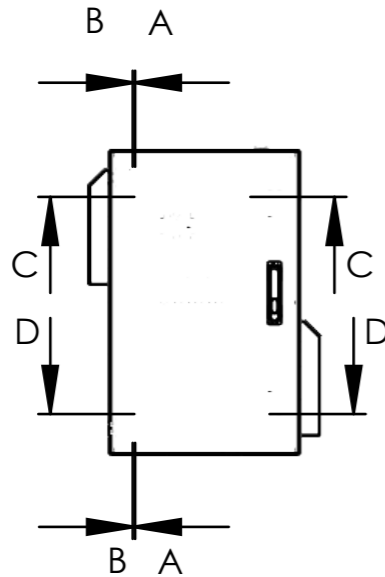
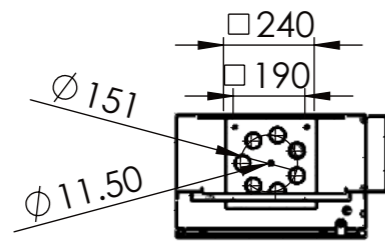




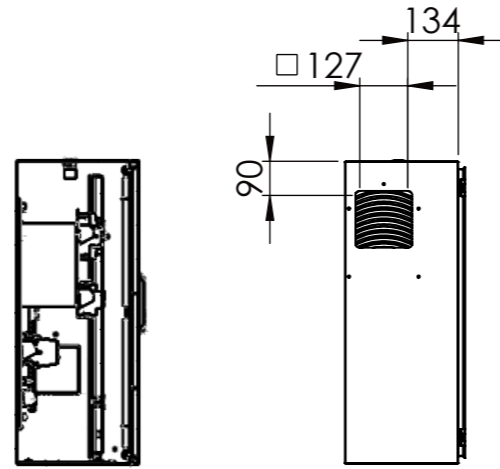
SECTION C-C



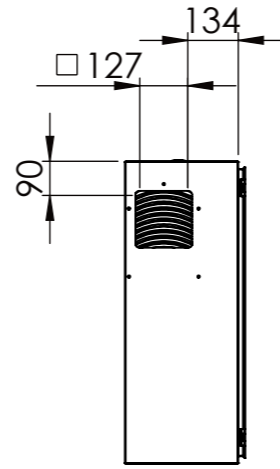
SECTION A-A



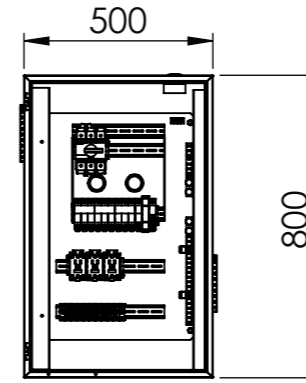
SECTION D-D



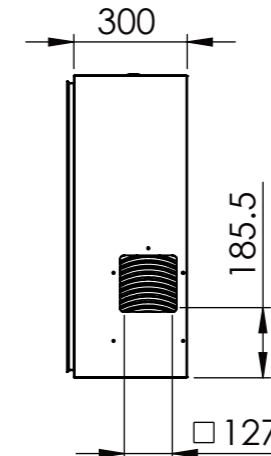
SECTION B-B



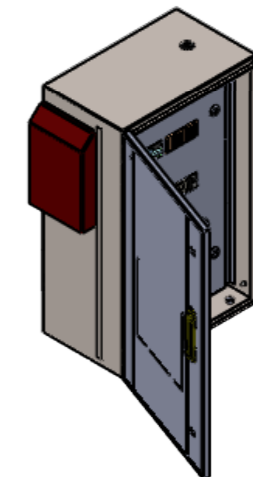
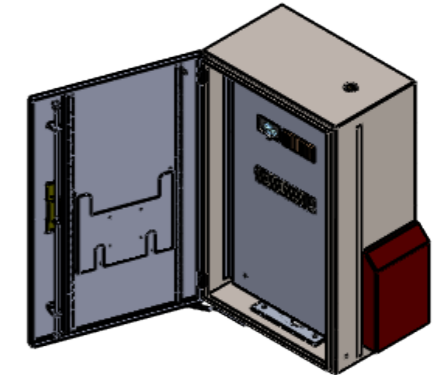
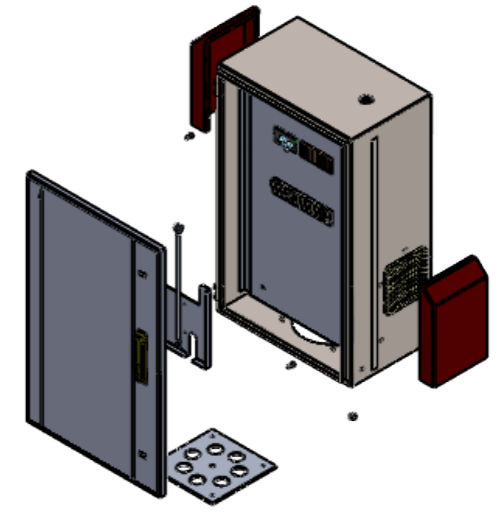
SIDE VIEW



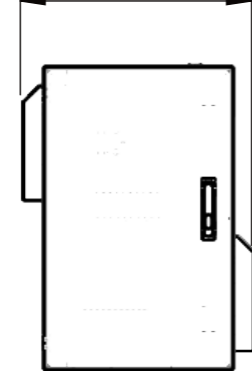
FRONT VIEW



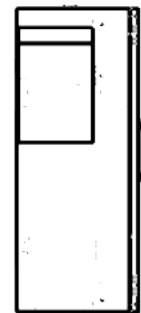
SIDE VIEW



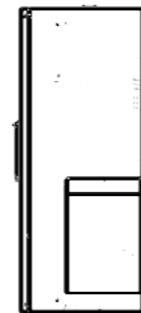
SECTION D-D



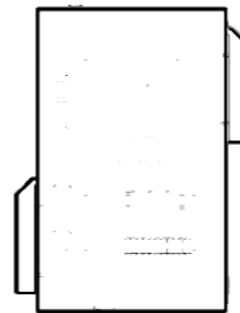
FRONT VIEW



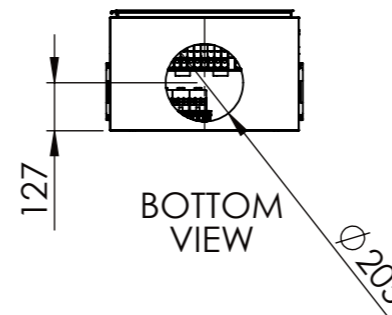
SIDE VIEW



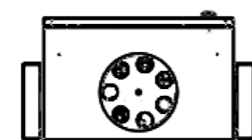
SIDE VIEW



REAR VIEW



BOTTOM VIEW



BOTTOM VIEW

UNLESS NOTED OTHERWISE:  
 1. Dimensions in millimetres.  
 2. Deburr and break all sharp edges.  
 Linear Dim's  $\pm 0.5$  Hole Diameters  $^{+0.1}_{-0.05}$   
 Angular Dim's  $\pm 1^\circ$  All Bends  $90^\circ \pm 0.5$



Logix Engineering Pty Ltd  
 28 Spine St, Sumner Park,  
 QLD, 4074, Australia  
 t: +61 434 034 703  
 w: www.logixeng.com.au  
 e: tony@logixeng.com.au

Component Type  
**TMR-R3LM-3P**

Finish  
**N4**

Material  
**STAINLESS STEEL**

Linear tolerance C  
 Angular tolerance C  
 Geometry tolerance L

Component / Assembly Description  
**RATE 3 LIGHTING ENCLOSURE**

Date Printed  
**16/12/2019** Date Created  
**16/12/2019**



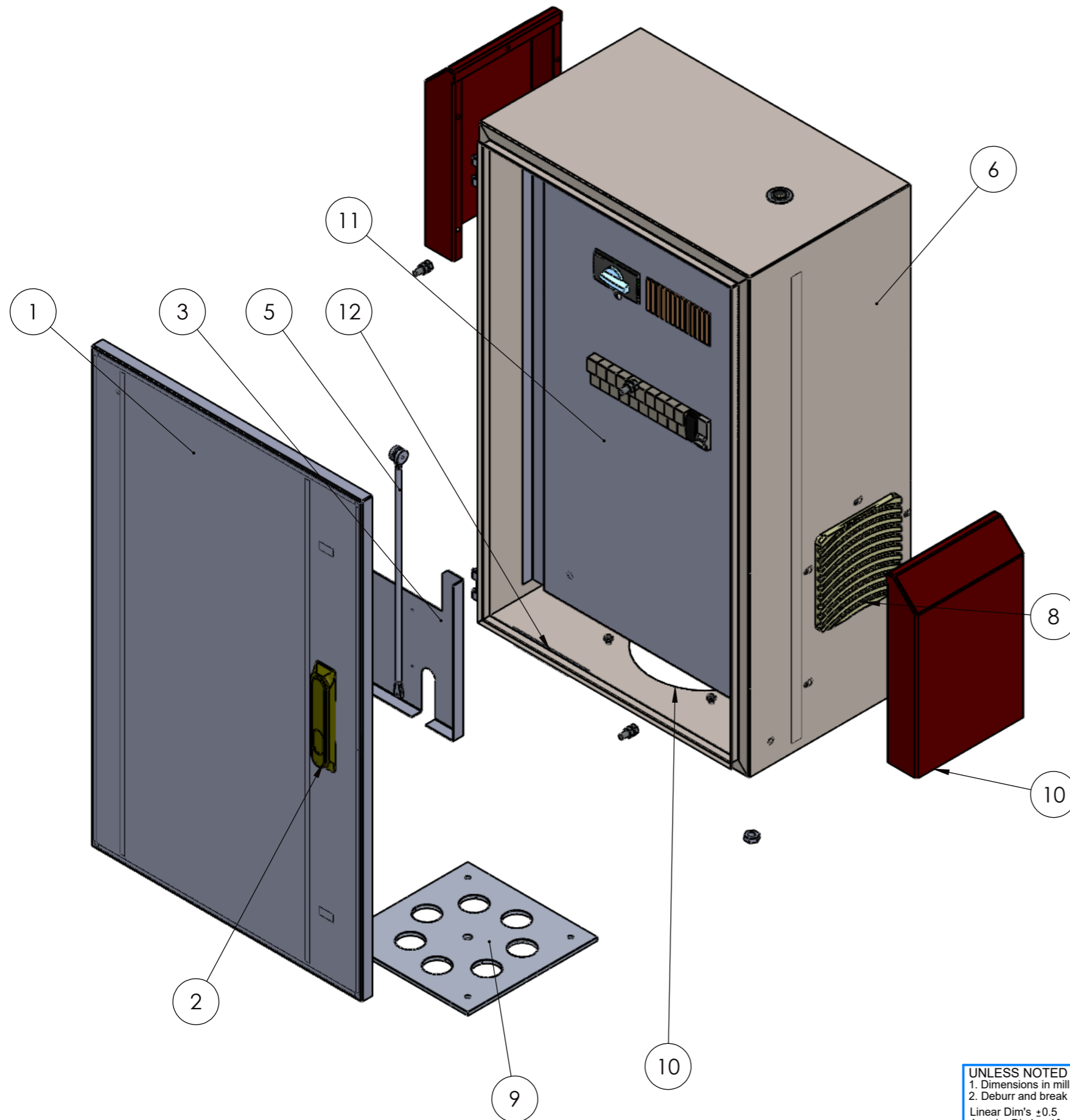
Drawing Status  
**RELEASED FOR MANUFACTURE**

Drawing Type

Checked  
**RJS** Author  
**RJS** Mass  
**Kgs.**

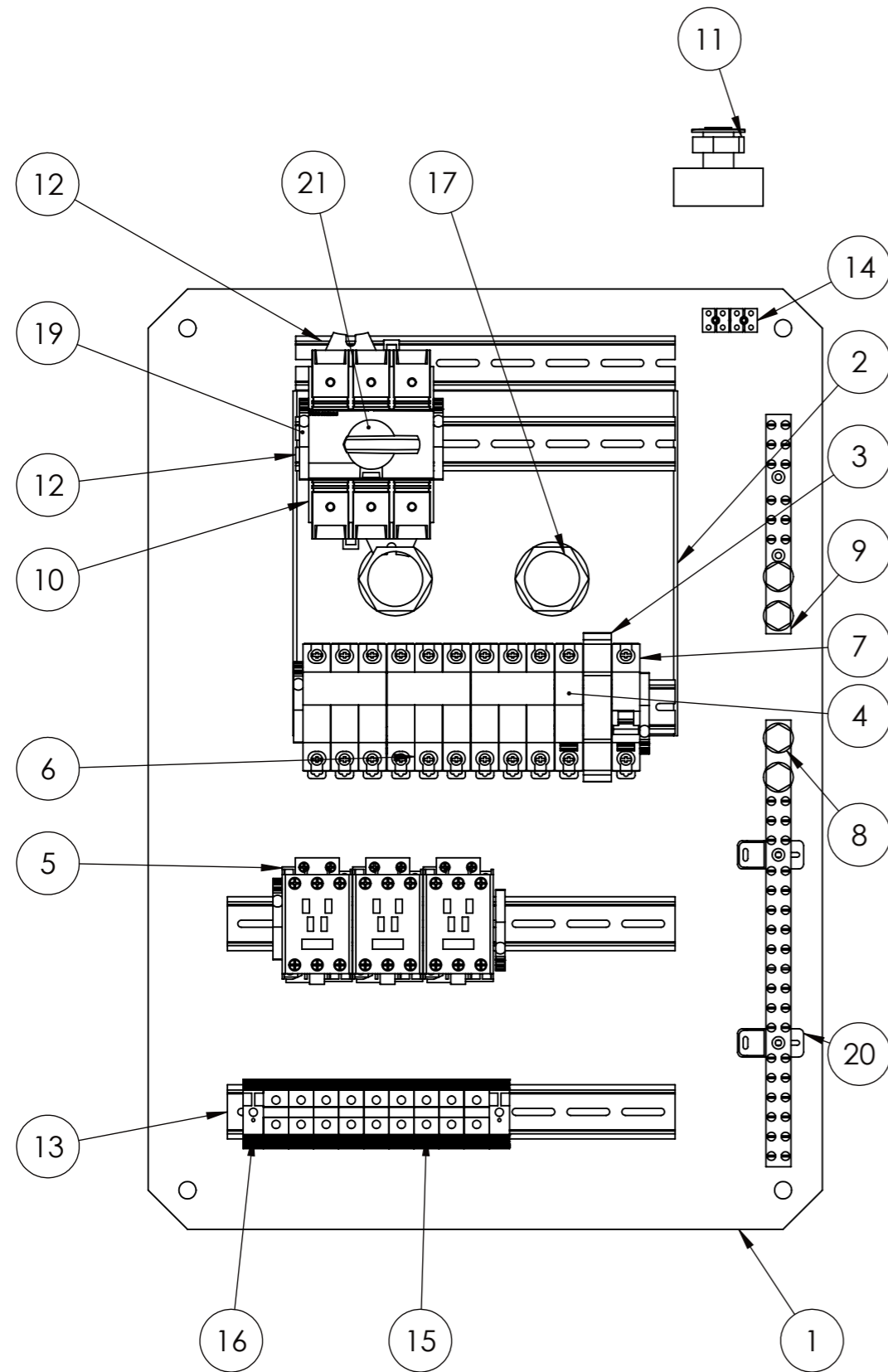
Scale  
**1:20** Sheet No.  
**1 of 8** Sheet size  
**A3** Drawing No.

**TMR-R3L85030** Drg Rev  
**1A**



ITEM NO.	PART NUMBER	QTY.
1	RATE 3 -0805-DOOR	1
2	LOCK-PAD	1
3	CARD-HOLDER	1
4	LOCK-GUIDE	2
5	LOCK-ROD	2
6	RATE 3 -080603-S-BODY	1
8	FILTER	2
10	FILTER-HOOD	2
11	ESCUCHEON	1
12	DOOR-STAY 1	1
50	PME-INTERNAL-GP	1

<b>UNLESS NOTED OTHERWISE:</b> 1. Dimensions in millimetres. 2. Deburr and break all sharp edges. Linear Dim's $\pm 0.5$ Hole Diameters $^{+0.1}_{-0.05}$ Angular Dim's $\pm 1^{\circ}$ All Bends $90^{\circ} \pm 0.5$		Logix Engineering Pty Ltd 28 Spine St, Sumner Park, QLD, 4074, Australia t: +61 434 034 703 w: www.logixeng.com.au e: tony@logixeng.com.au	Component Type <b>TMR-R3LM-3P</b>
Linear tolerance C Angular tolerance C Geometry tolerance L	Finish <b>N4</b> Material <b>STAINLESS STEEL</b>		
Date Printed <b>16/12/2019</b> Date Created <b>16/12/2019</b>		Component / Assembly Description <b>RATE 3 LIGHTING ENCLOSURE</b>	
Checked <b>RJS</b> Author <b>RJS</b> Mass <b>Kgs.</b>	AS1100	Drawing Status <b>RELEASED FOR MANUFACTURE</b>	Drawing Type <b>1A</b>
Scale <b>1:10</b> Sheet No. <b>2 of 8</b> Sheet size <b>A3</b>		Drawing No. <b>TMR-R3L85030</b>	



ITEM NO.	PART NUMBER	QTY.		
		R3C85030-1/QTY.	R3C85030-2/QTY.	R3C85030-3/QTY.
1	RATE 3 -080503-SS -MOUNTING-PAN	1	1	1
2	ESCUCHEON-TOP-HAT-1-A	1	1	1
3	SURGE FILTER-NOVARIS-SSP1-16-15-275	1	1	1
4	1P-FUSE-LEGRAND-5808	1	1	1
5	CONTACTOR CA7-37-00	1	2	3
6	3P-FUSE-LEGRAND-O5838	1	2	3
7	DAY/ NIGHT SWITCH 412900	1	1	1
8	NE250A-M018X	1	1	1
9	NE250A-M006X	1	1	1
10	SIRCOM100-SOCOMEK	1	1	1
11	PE CELL-ROYCE THOMPSON-MICROSTAR 2000 ST	1	1	1
12	DIN-RAIL 285MM	3	3	3
13	DIN-RAIL 240MM	2	2	2
14	PE-CELL-TERMINAL-BLOCK	1	1	1
15	WDU35-35MM TERMINAL	9	9	9
16	WEW35-1-LARGE-END-CLAMP	2	2	2
17	40mm GLAND NUT	2	2	2
18	LEIPOLE-DISTRIBUTION-BLOCK	3	3	3
19	WEIDMULLER-EW-35	8	8	8
20	EARTH-NEUTRAL-FEET	2	2	2
21	SIRCO 3 POS HANDLE	1	1	1

UNLESS NOTED OTHERWISE:  
 1. Dimensions in millimetres.  
 2. Deburr and break all sharp edges.  
 Linear Dim's  $\pm 0.5$  Hole Diameters  $^{+0.1}_{-0.05}$   
 Angular Dim's  $\pm 1^\circ$  All Bends  $90^\circ \pm 0.5$



Logix Engineering Pty Ltd  
 28 Spine St, Sumner Park,  
 QLD, 4074, Australia  
 t: +61 434 034 703  
 w: www.logixeng.com.au  
 e: tony@logixeng.com.au

Component Type  
**TMR-R3LM-3P**

Finish  
**N4**

Material  
**STAINLESS STEEL**

Linear tolerance C  
 Angular tolerance C  
 Geometry tolerance L

Component / Assembly Description  
**RATE 3 LIGHTING ENCLOSURE**

Date Printed  
**16/12/2019** Date Created  
**16/12/2019**



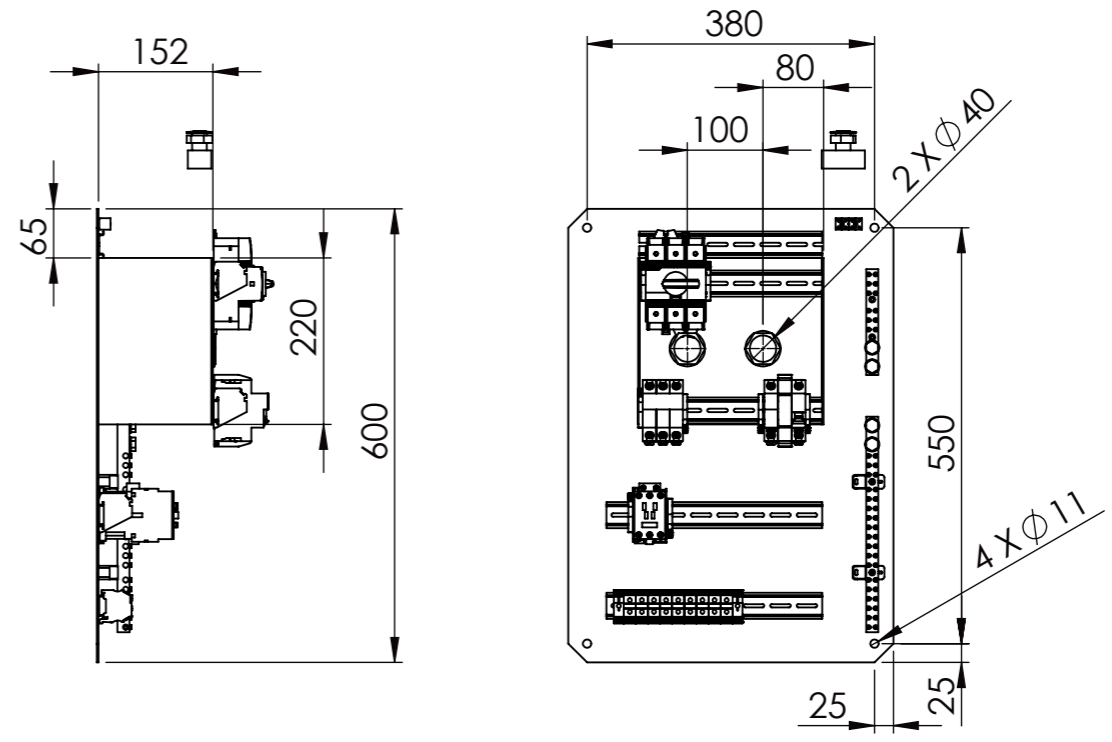
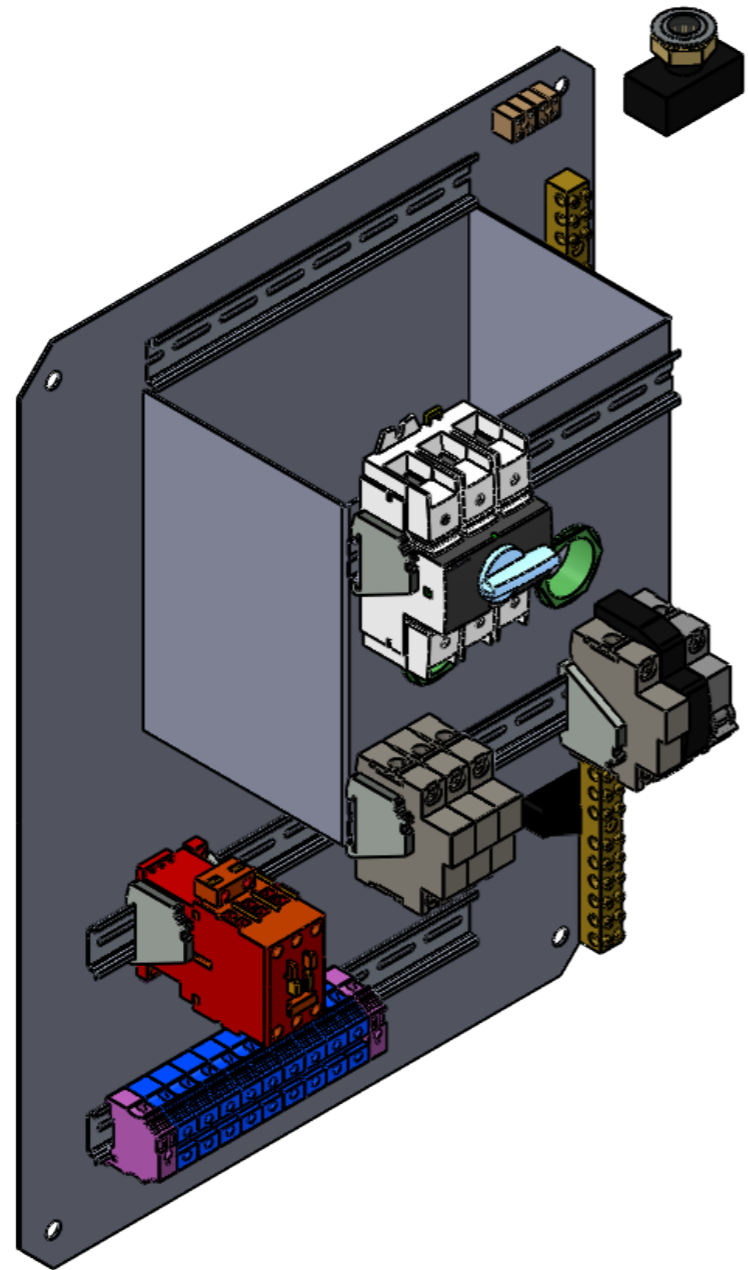
Drawing Status  
**RELEASED FOR MANUFACTURE**

Drawing Type

Checked  
**RJS** Author  
**RJS** Mass  
**Kgs.**

Scale  
**1:4** Sheet No.  
**3 of 8** Sheet size  
**A3** Drawing No.

**TMR-R3L85030** Drg Rev  
**1A**



# R3C85030-1

UNLESS NOTED OTHERWISE:  
 1. Dimensions in millimetres.  
 2. Deburr and break all sharp edges.

Linear Dim's $\pm 0.5$	Hole Diameters $^{+0.1}_{-0.05}$	
Angular Dim's $\pm 1^{\circ}$	All Bends $90^{\circ} \pm 0.5$	
Linear tolerance	C	
Angular tolerance	C	
Geometry tolerance	L	
Date Printed	Date Created	
<b>16/12/2019</b>	<b>16/12/2019</b>	
Checked	Author	Mass
<b>RJS</b>	<b>RJS</b>	<b>Kgs.</b>

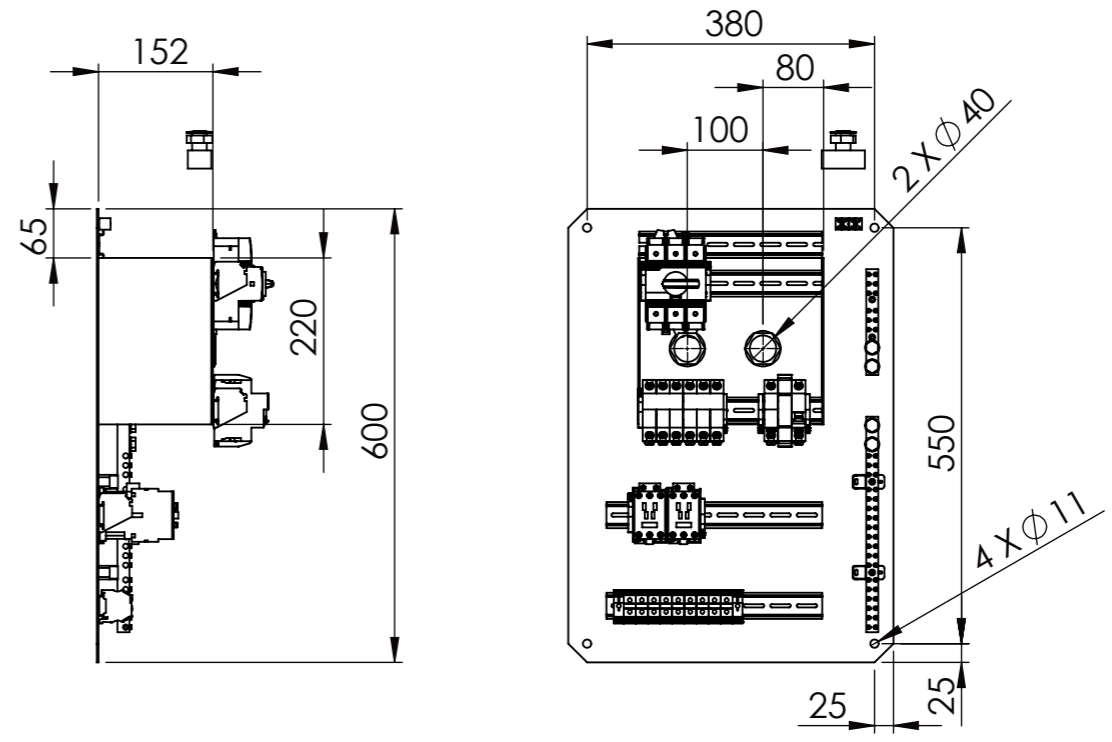
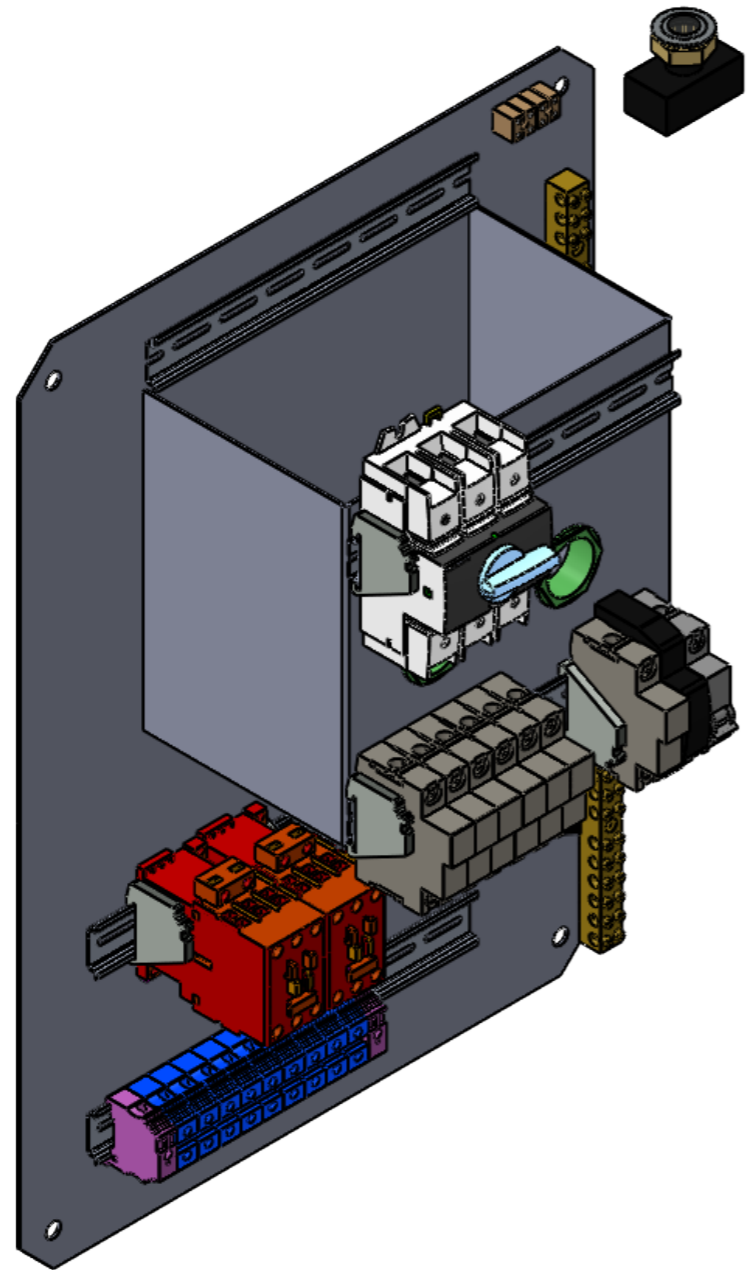
**LOGIX ENGINEERING**

Logix Engineering Pty Ltd  
 28 Spine St, Sumner Park,  
 QLD, 4074, Australia  
 t: +61 434 034 703  
 w: www.logixeng.com.au  
 e: tony@logixeng.com.au

Component / Assembly Description  
**RATE 3 LIGHTING ENCLOSURE**

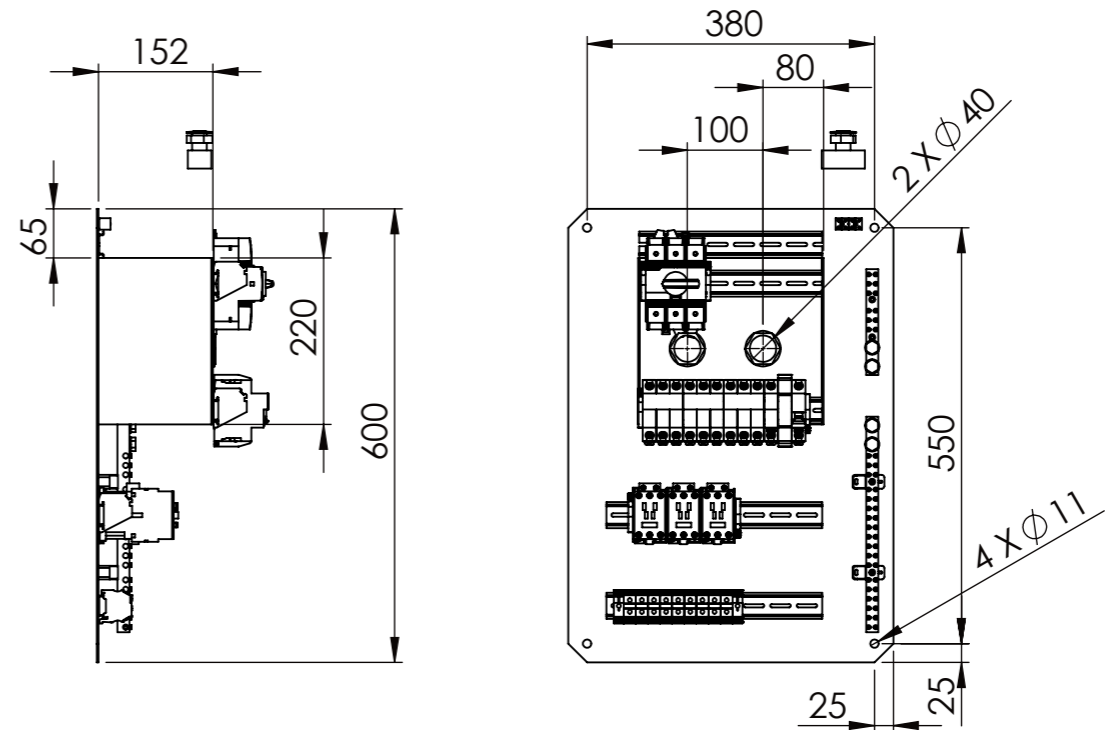
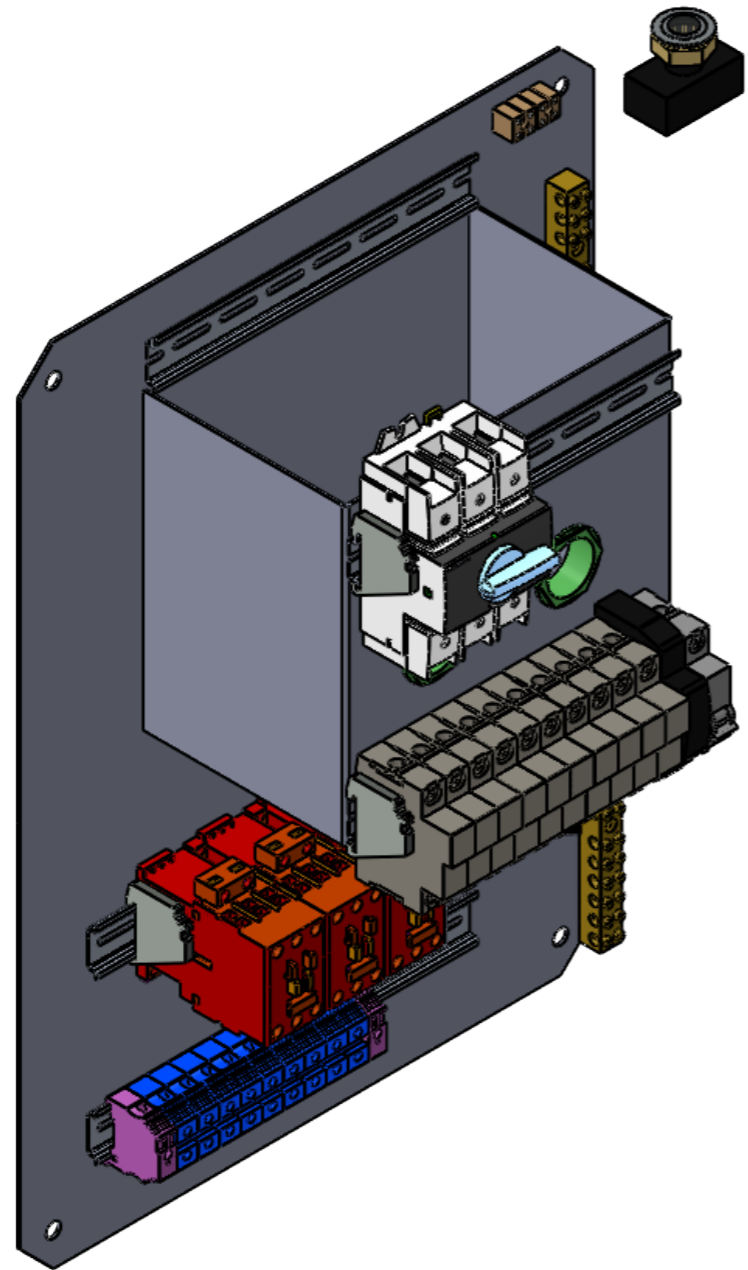
AS1100

Component Type	<b>TMR-R3LM-3P</b>
Finish	<b>N4</b>
Material	<b>STAINLESS STEEL</b>
Drawing Status	<b>RELEASED FOR MANUFACTURE</b>
Drawing Type	
Scale	<b>1:4</b>
Sheet No.	<b>4 of 8</b>
Sheet size	<b>A3</b>
Drawing No.	<b>TMR-R3L85030</b>
Drg Rev	<b>1A</b>



# R3C85030-2

<b>UNLESS NOTED OTHERWISE:</b> 1. Dimensions in millimetres. 2. Deburr and break all sharp edges. Linear Dim's $\pm 0.5$ Hole Diameters $^{+0.1}_{-0.05}$ Angular Dim's $\pm 1^\circ$ All Bends $90^\circ \pm 0.5$			Logix Engineering Pty Ltd 28 Spine St, Sumner Park, QLD, 4074, Australia t: +61 434 034 703 w: www.logixeng.com.au e: tony@logixeng.com.au		Component Type <b>TMR-R3LM-3P</b>
Linear tolerance    C Angular tolerance    C Geometry tolerance    L			Material <b>STAINLESS STEEL</b>		
Date Printed <b>16/12/2019</b> Date Created <b>16/12/2019</b>			Component / Assembly Description <b>RATE 3 LIGHTING ENCLOSURE</b>		
Checked <b>RJS</b> Author <b>RJS</b> Mass <b>Kgs.</b>			Drawing Status <b>RELEASED FOR MANUFACTURE</b>		
			Scale <b>1:4</b>	Sheet No. <b>5 of 8</b> Sheet size <b>A3</b>	Drawing No. <b>TMR-R3L85030</b> Drg Rev <b>1A</b>



# R3C85030-3

**UNLESS NOTED OTHERWISE:**  
 1. Dimensions in millimetres.  
 2. Deburr and break all sharp edges.

Linear Dim's $\pm 0.5$	Hole Diameters $^{+0.1}_{-0.05}$
Angular Dim's $\pm 1^{\circ}$	All Bends $90^{\circ} \pm 0.5$

Linear tolerance	C
Angular tolerance	C
Geometry tolerance	L

Date Printed	Date Created
16/12/2019	16/12/2019

Checked	Author	Mass
RJS	RJS	Kgs.

**LOGIX ENGINEERING**

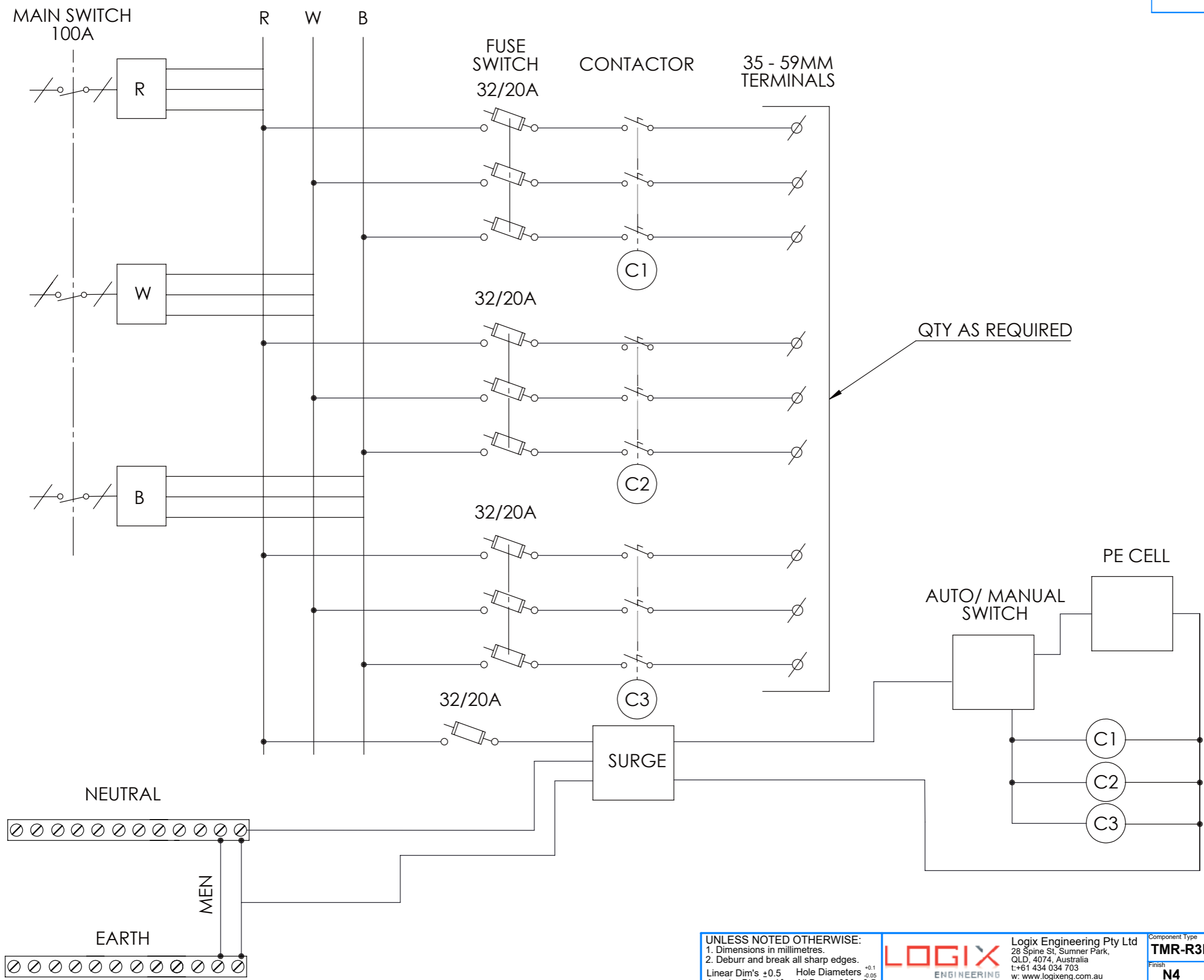
Logix Engineering Pty Ltd  
 28 Spine St, Sumner Park,  
 QLD, 4074, Australia  
 t: +61 434 034 703  
 w: www.logixeng.com.au  
 e: tony@logixeng.com.au

Component / Assembly Description  
**RATE 3 LIGHTING ENCLOSURE**



AS1100

Component Type	<b>TMR-R3LM-3P</b>
Finish	<b>N4</b>
Material	<b>STAINLESS STEEL</b>

Drawing Status	<b>RELEASED FOR MANUFACTURE</b>	Drawing Type							
Scale	<b>1:4</b>	Sheet No.	<b>6 of 8</b>	Sheet size	<b>A3</b>	Drawing No.	<b>TMR-R3L85030</b>	Drg Rev	<b>1A</b>



<b>UNLESS NOTED OTHERWISE:</b> 1. Dimensions in millimetres. 2. Deburr and break all sharp edges. Linear Dim's $\pm 0.5$ Hole Diameters $^{+0.1}_{-0.05}$ Angular Dim's $\pm 1^{\circ}$ All Bends $90^{\circ} \pm 0.5$			Logix Engineering Pty Ltd 28 Spine St, Sumner Park, QLD, 4074, Australia t: +61 434 034 703 w: www.logixeng.com.au e: tony@logixeng.com.au		Component Type <b>TMR-R3LM-3P</b>			
Linear tolerance C Angular tolerance C Geometry tolerance L			Component / Assembly Description <b>RATE 3 LIGHTING ENCLOSURE</b>		Finish <b>N4</b>	Material <b>STAINLESS STEEL</b>		
Date Printed <b>16/12/2019</b>		Date Created <b>16/12/2019</b>		Drawing Status <b>RELEASED FOR MANUFACTURE</b>				
Checked <b>RJS</b>	Author <b>RJS</b>	Mass <b>Kgs.</b>		Scale <b>1:5</b>	Sheet No. <b>7 of 8</b>	Sheet size <b>A3</b>	Drawing No. <b>TMR-R3L85030</b>	Drg Rev <b>1A</b>

<b>UNLESS NOTED OTHERWISE:</b> 1. Dimensions in millimetres. 2. Deburr and break all sharp edges.				Logix Engineering Pty Ltd 28 Spine St, Sumner Park, QLD, 4074, Australia t: +61 434 034 703 w: www.logixeng.com.au e: tony@logixeng.com.au		Component Type <b>TMR-R3LM-3P</b>		
Linear Dim's $\pm 0.5$ Angular Dim's $\pm 1^\circ$	Hole Diameters $^{+0.1}_{-0.05}$ All Bends $90^\circ \pm 0.5$			Finish <b>N4</b>	Material <b>STAINLESS STEEL</b>			
Linear tolerance Angular tolerance Geometry tolerance	C C L	Component / Assembly Description <b>RATE 3 LIGHTING ENCLOSURE</b>						
Date Printed <b>16/12/2019</b>	Date Created <b>16/12/2019</b>					Drawing Status <b>RELEASED FOR MANUFACTURE</b>		Drawing Type
Checked <b>RJS</b>	Author <b>RJS</b>	Mass <b>Kgs.</b>	Scale <b>1:5</b>	Sheet No. <b>8 of 8</b>	Sheet size <b>A3</b>	Drawing No. <b>TMR-R3L85030</b>		Drg Rev <b>1A</b>