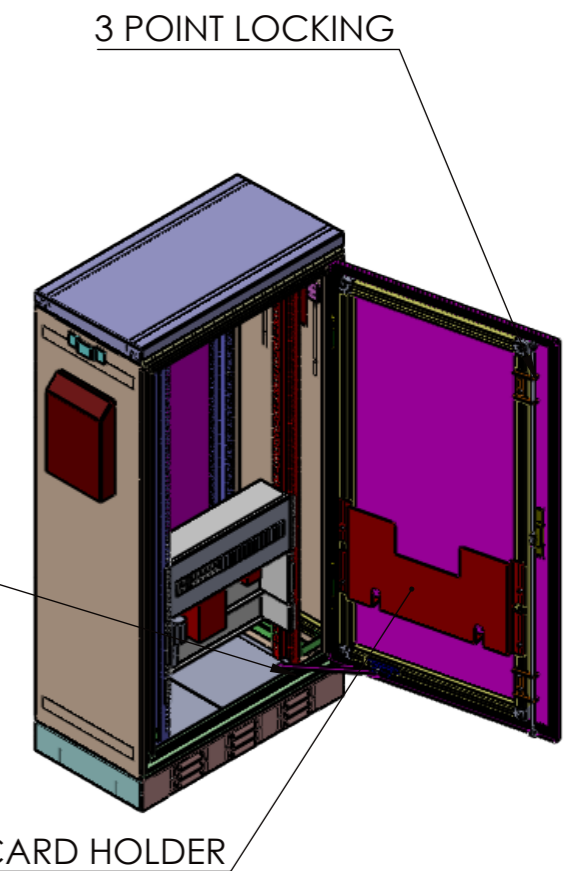


ISOMETRIC VIEW



UNLESS NOTED OTHERWISE:  
1. Dimensions in millimetres.  
2. Deburr and break all sharp edges.  
Linear Dim's  $\pm 0.5$  Hole Diameters  $^{+0.1}_{-0.05}$   
Angular Dim's  $\pm 1^\circ$  All Bends  $90^\circ \pm 0.5$



Logix Engineering Pty Ltd  
28 Spine St, Sumner Park,  
QLD, 4074, Australia  
t: +61 434 034 703  
w: www.logixeng.com.au  
e: tony@logixeng.com.au

Component Type	<b>RSE ENCLOSURE</b>
Finish	<b>T33 SMOKE BLUE</b>
Material	<b>ALUMINIUM 2.5mm</b>

Linear tolerance	C
Angular tolerance	C
Geometry tolerance	L

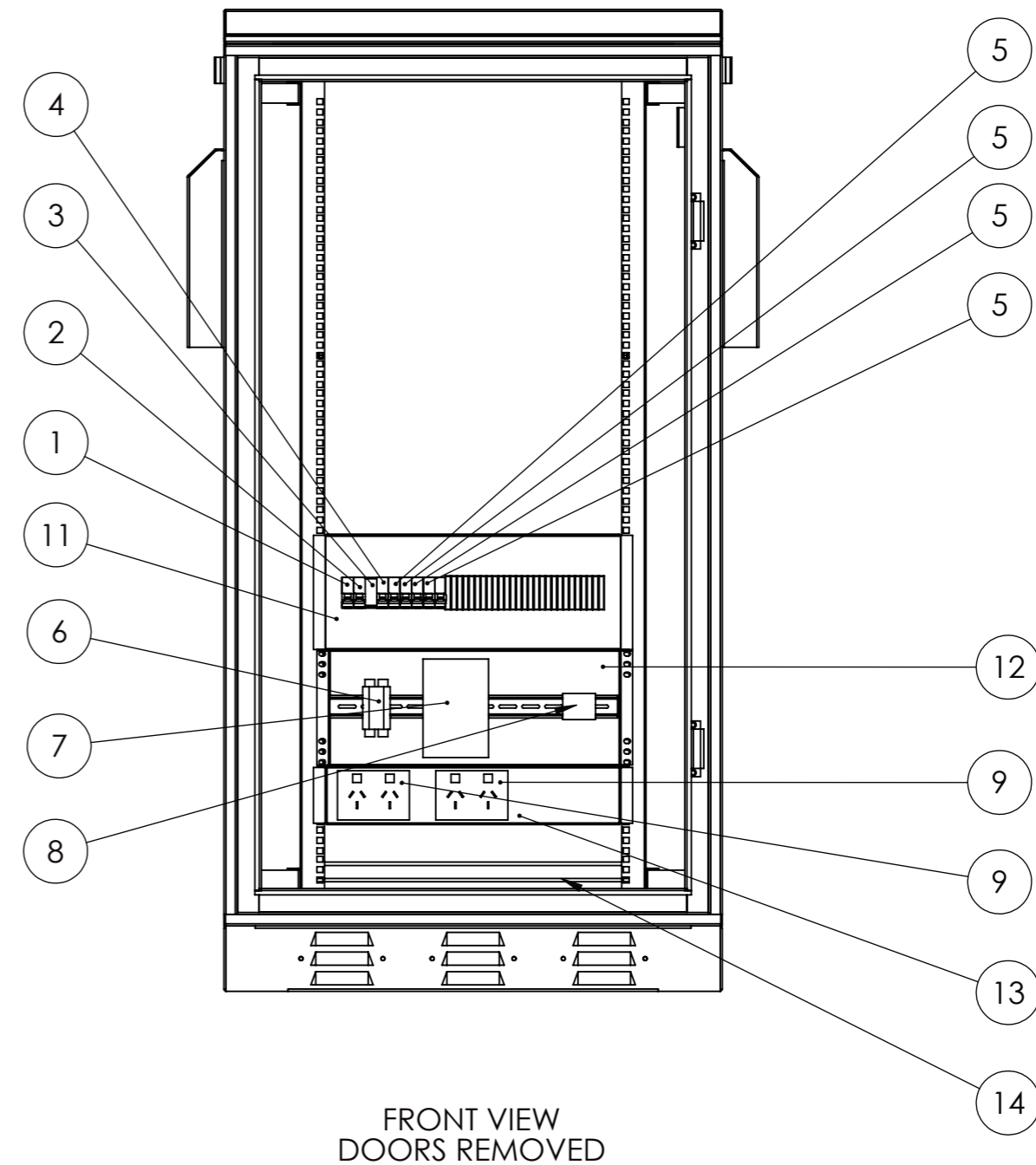
Component / Assembly Description  
**ALUMINIUM ROADSIDE ENCLOSURE**

Date Printed	30/10/2020	Date Created	12/09/2019
Checked	RJS	Author	RJS
Mass	65 Kgs.		



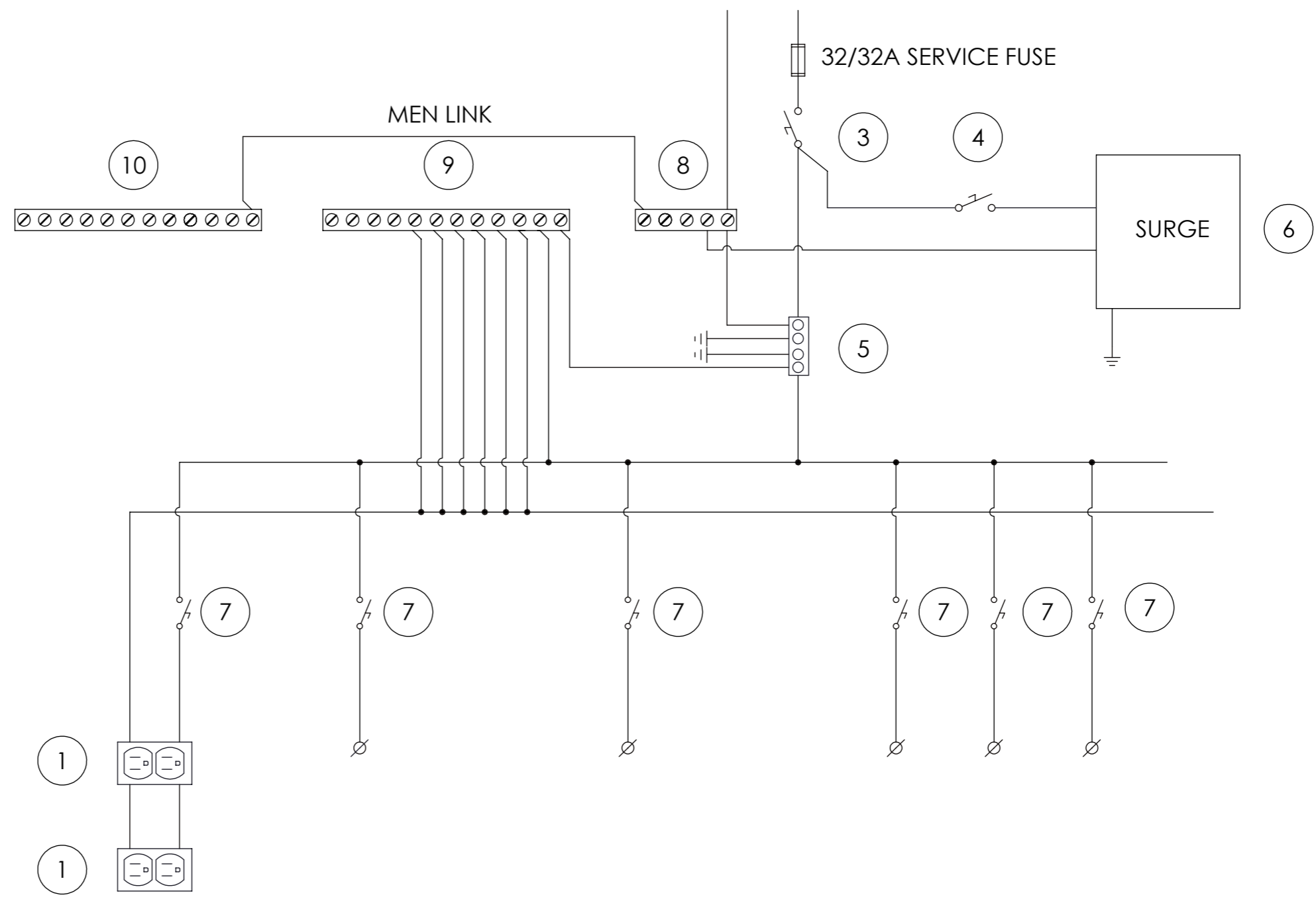
Drawing Status	<b>RELEASED FOR MANUFACTURE</b>			Drawing Type
Scale	1:20	Sheet No.	1 of 3	Drg Rev
Sheet size	A3	Drawing No.	RMS-RSE-130704	3A

ITEM NUMBER	TYPE
1	32A 1P MAIN SWITCH
2	25A 1P 10KA MCB
3	1P SURGE DIVERter
4	16A 1P 10KA MCB
5	10A 1P 10KA MCB
6	32A SERVICE FUSE LINK
7	EMI FILTER 1P 32A
8	TERMINALS
9	DOUBLE GPO
10	CANTILEVER SHELF
11	4 RU LOAD CENTER
12	4RU EQUIPMENT BACK FRAME
13	2RU EQUIPMENT BACK FRAME
14	CABLE CLAMPING BAR



FRONT VIEW  
DOORS REMOVED

<b>UNLESS NOTED OTHERWISE:</b> 1. Dimensions in millimetres. 2. Deburr and break all sharp edges. Linear Dim's $\pm 0.5$ Hole Diameters $^{+0.1}_{-0.05}$ Angular Dim's $\pm 1^\circ$ All Bends $90^\circ \pm 0.5$		Logix Engineering Pty Ltd 28 Spine St, Sumner Park, QLD, 4074, Australia t: +61 434 034 703 w: www.logixeng.com.au e: tony@logixeng.com.au	Component Type <b>RSE ENCLOSURE</b>
Linear tolerance C Angular tolerance C Geometry tolerance L	Finish <b>T33 SMOKE BLUE</b> Material <b>ALUMINIUM 2.5mm</b>		
Date Printed <b>30/10/2020</b> Date Created <b>12/09/2019</b>		Component / Assembly Description <b>ALUMINIUM ROADSIDE ENCLOSURE</b>	
Checked <b>RJS</b> Author <b>RJS</b> Mass <b>65 Kgs.</b>		Drawing Status <b>RELEASED FOR MANUFACTURE</b>	Drawing Type <b>3A</b>
Scale <b>1:10</b> Sheet No. <b>2 of 3</b> Sheet size <b>A3</b>		Drawing No. <b>RMS-RSE-130704</b>	



1	RCD GPO	CLIPSAL	2025RCD30WE	2
2	MOUNTING BLOCK	CLIPSAL	449A	2
3	MAIN SWITCH	SCHNEIDER	A9S66163	1
4	25A MCB 10KA	SCHNEIDER	A9F54125	1
5	EMI FILTER	SCHAFNER	FN2410-32-33	1
6	SURGE DIVERTER	NOVARIS	SDD1-100-275-A	1
7	10A MCB 10KA	SCHNEIDER	A9F54110	6
8	NEUTRAL MAIN	NETEC	NE22C004X	1
9	NEUTRAL 2	NETEC	NE22C012X	1
10	EARTH	NETEC	NE22C012X	1
11	NEUTRAL FEET	CUSTOM		4
12	BUSBAR	NHP	IBC 108P	1
13	TERMINALS	WEIDMULLER	SAK4	6
14	CABLE CLAMPS	LEIPOLE	UB12-18	6
15	CABLE CLAMP RAIL	LEIPOLE	NSL30/15	1

<b>UNLESS NOTED OTHERWISE:</b> 1. Dimensions in millimetres. 2. Deburr and break all sharp edges. Linear Dim's $\pm 0.5$ Hole Diameters $^{+0.1}_{-0.05}$ Angular Dim's $\pm 1^\circ$ All Bends $90^\circ \pm 0.5$		Logix Engineering Pty Ltd 28 Spine St, Sumner Park, QLD, 4074, Australia t: +61 434 034 703 w: www.logixeng.com.au e: tony@logixeng.com.au	Component Type <b>RMS-RSE-ENCLOSURE</b>
Linear tolerance C Angular tolerance C Geometry tolerance L			Finish <b>T33 SMOKE BLUE</b> Material <b>ALUMINIUM 2.5mm</b>
Date Printed <b>30/10/2020</b> Date Created <b>12/09/2019</b>		Component / Assembly Description <b>ALUMINIUM ROADSIDE ENCLOSURE</b>	
Checked <b>RJS</b> Author <b>RJS</b> Mass <b>65 Kgs.</b>	AS1100	Drawing Status <b>RELEASED FOR MANUFACTURE</b>	Drawing Type <b>3A</b>
Scale <b>1:10</b> Sheet No. <b>3 of 3</b> Sheet size <b>A3</b>	Drawing No. <b>RMS-RSE-130704</b>		