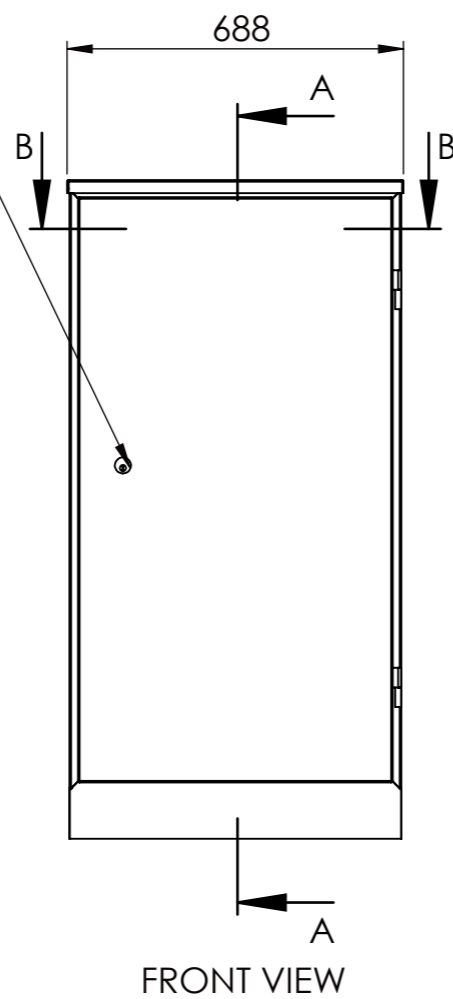
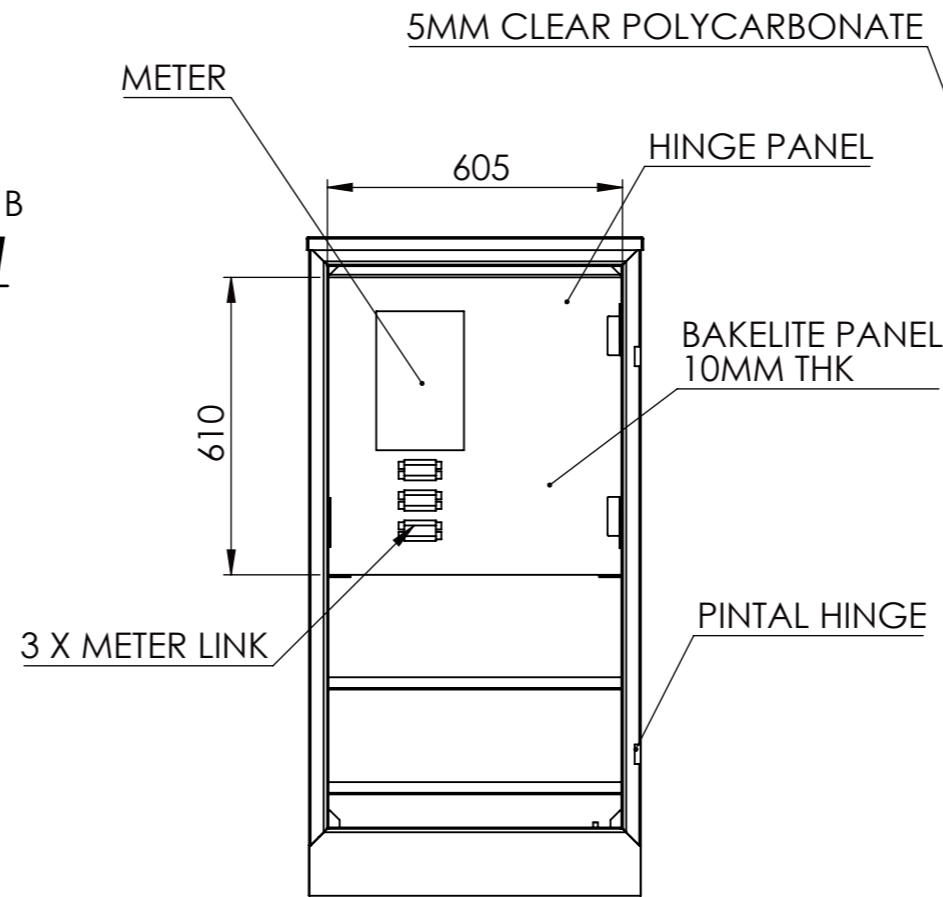


SECTION A-A



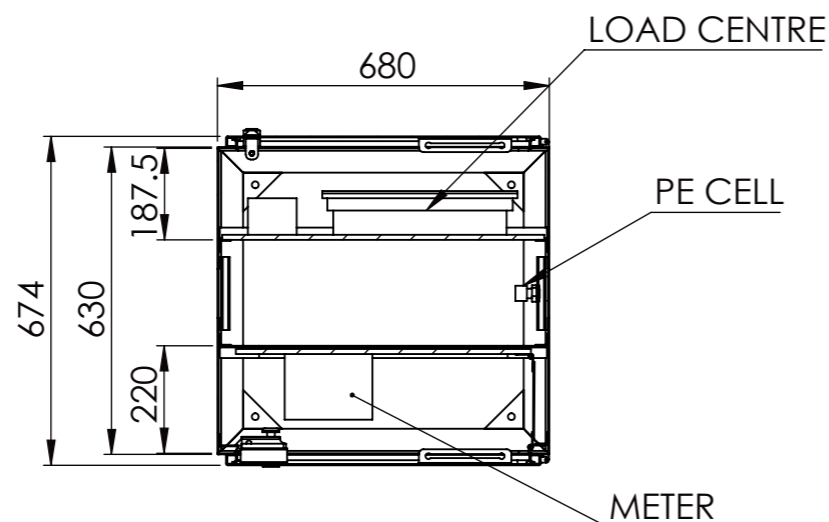
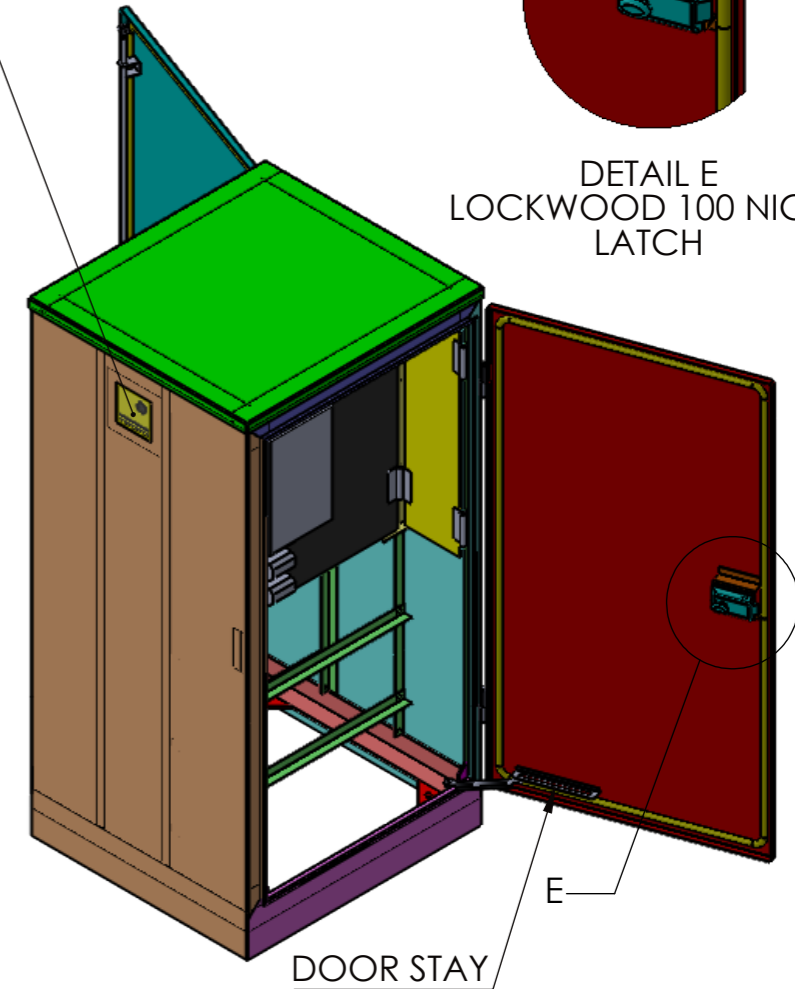
FRONT VIEW



FRONT VIEW DOOR REMOVED



DETAIL E LOCKWOOD 100 NIGHT LATCH



SECTION B-B

TYPE	MANUFACTURER	PART #	QTY
CABINET	LOGIX ENGINEERING	EDC-RMS-T1	1
METER PANEL	INSULECT	N/A	1
METER LINK	IPD	S71002ABWS	3
MAIN SWITCH	SCHNEIDER	A9F53363	1
PE CELL	ROYCE TOMPSON	MICROSTAR 2000 ST	1
PE HOUSING	RAB MANUFACTURING	PCM2520	1
PE CELL TERMINAL BLOCK	WEIDULLER	MK3/12 0243520000	1
LIGHTING CONTACTOR	EATON	SIZE 2	1
BYPASS SWITCH	LEGRAND	O4382	1
20A 1P MCB	SCHNEIDER	A9F54120	10
6A 1P MCB	SCHNEIDER	A9F54106	1
NEUTRAL	NETEC	NE250A-M018X	1
EARTH	NETEC	NE250A-M006X	1
NEUTRAL FEET	NETEC	INSF-M5S	2
BUSBAR	NHP	ICL123	1

UNLESS NOTED OTHERWISE:  
 1. Dimensions in millimetres.  
 2. Deburr and break all sharp edges.  
 Linear Dim's  $\pm 0.5$  Hole Diameters  $^{+0.1}_{-0.05}$   
 Angular Dim's  $\pm 1^\circ$  All Bends  $90^\circ \pm 0.5$

**LOGIX ENGINEERING**  
 Logix Engineering Pty Ltd  
 28 Spine St, Sumner Park,  
 QLD, 4074, Australia  
 t: +61 434 034 703  
 w: www.logixeng.com.au  
 e: tony@logixeng.com.au

Component Type  
**EDC-RMS-T1**  
 Finish **POWDERCOATED OLIVE GREEN** Material **ALUMINIUM 3 mm**

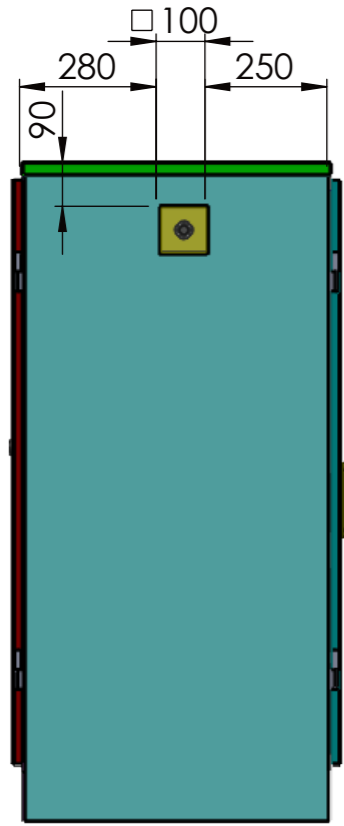
Linear tolerance C  
 Angular tolerance C  
 Geometry tolerance L

Component / Assembly Description  
**STREET LIGHTING CONTROL AND SWITCHBOARD CABINET**

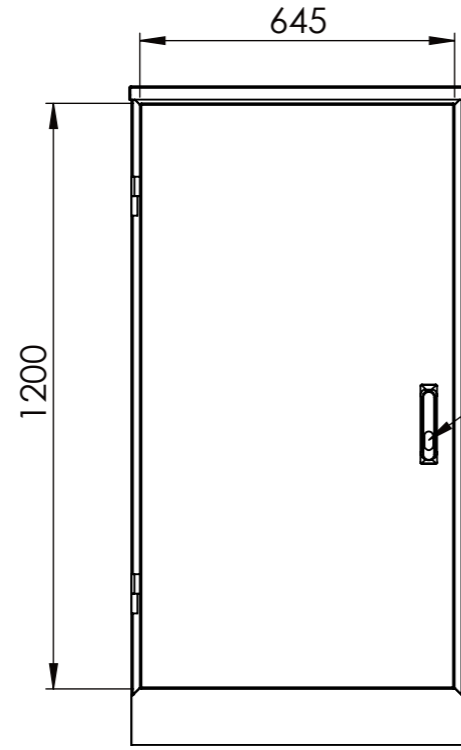
Date Printed **10/09/2019** Date Created **10/09/2019**  
 Checked **RJS** Author **RJS** Mass **Kgs.**

Drawing Status  
**RELEASED FOR MANUFACTURE**  
 Scale **1:15.5** Sheet No. **1 of 4** Sheet size **A3**

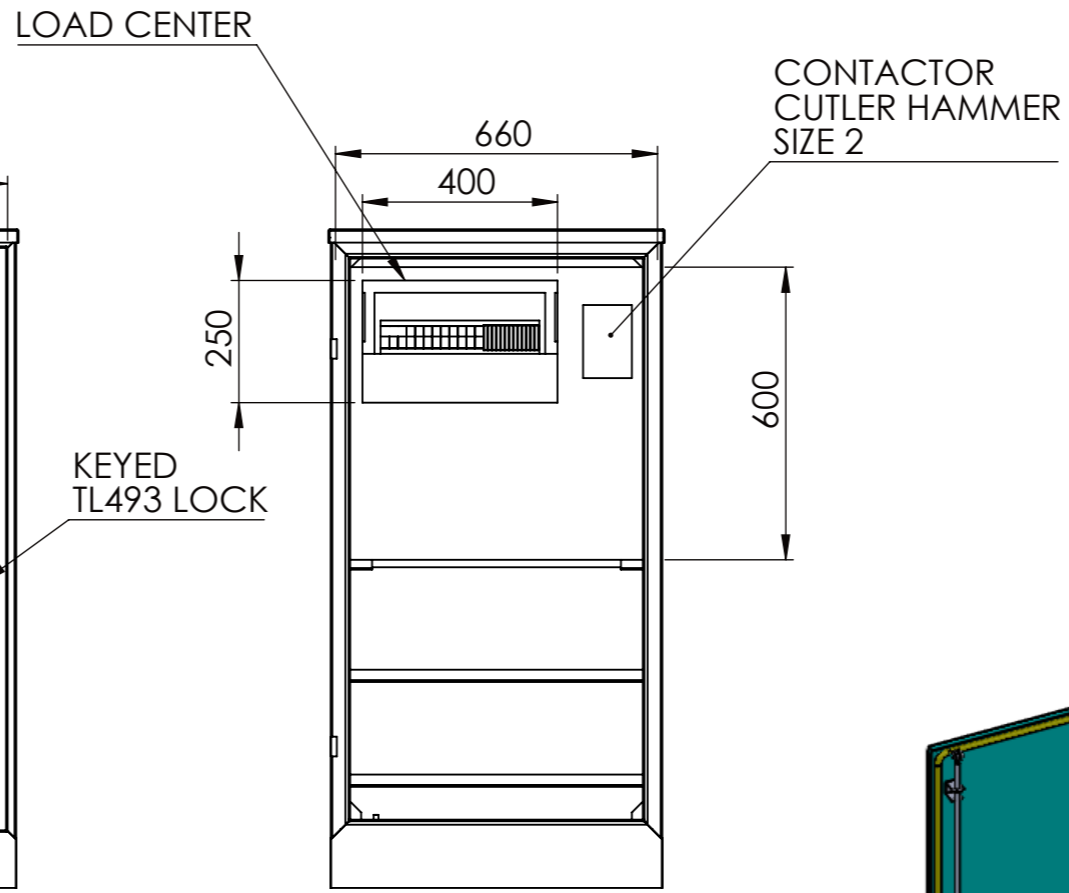
Drawing Type  
**RMS-EDC-TI-137070-A004** Drg Rev **1A**



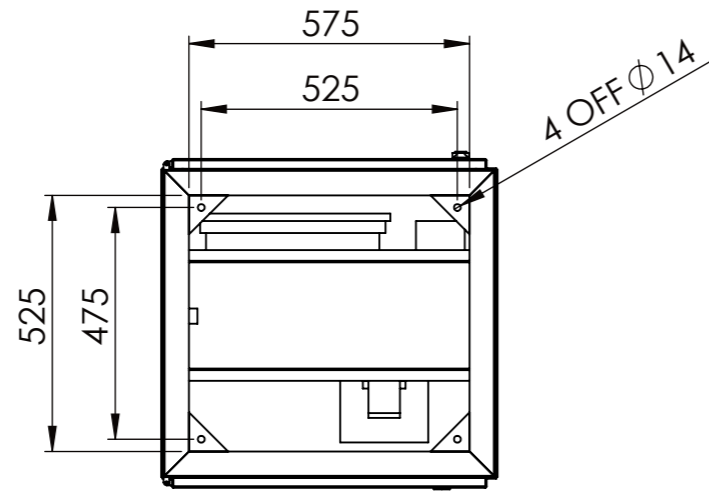
SIDE VIEW



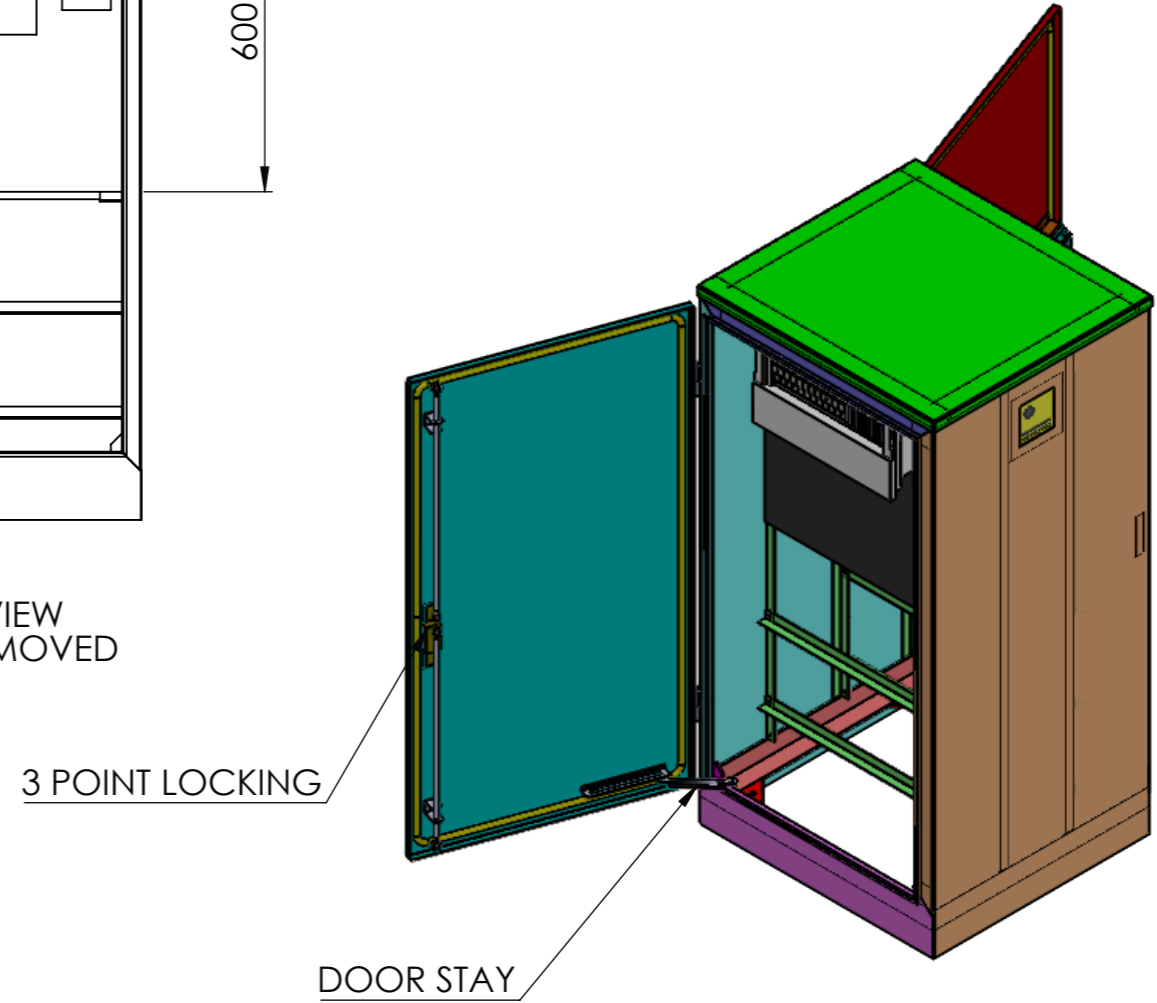
REAR VIEW



REAR VIEW  
DOOR REMOVED



BOTTOM VIEW



ISOMETRIC VIEW

UNLESS NOTED OTHERWISE:  
 1. Dimensions in millimetres.  
 2. Deburr and break all sharp edges.  
 Linear Dim's  $\pm 0.5$  Hole Diameters  $^{+0.1}_{-0.05}$   
 Angular Dim's  $\pm 1^\circ$  All Bends  $90^\circ \pm 0.5$



Logix Engineering Pty Ltd  
 28 Spine St, Summer Park,  
 QLD, 4074, Australia  
 t: +61 434 034 703  
 w: www.logixeng.com.au  
 e: tony@logixeng.com.au

Component Type  
**EDC-RMS-T1**  
 Finish **POWDERCOATED OLIVE GREEN** Material **ALUMINIUM 3 mm**

Linear tolerance C  
 Angular tolerance C  
 Geometry tolerance L

Component / Assembly Description  
**STREET LIGHTING CONTROL AND SWITCHBOARD CABINET**

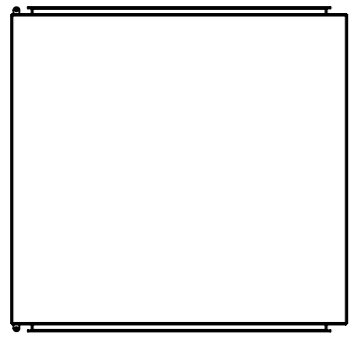
Date Printed **10/09/2019** Date Created **10/09/2019**

Drawing Status **RELEASED FOR MANUFACTURE** Drawing Type

Checked **RJS** Author **RJS** Mass **Kgs.**

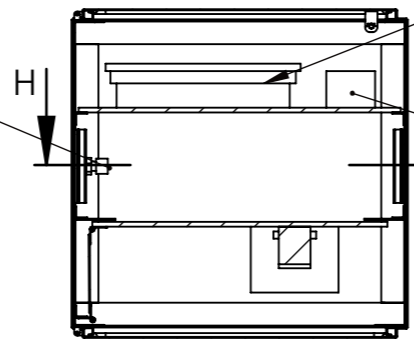
Scale **1:15.5** Sheet No. **2 of 4** Sheet size **A3** Drawing No. **RMS-EDC-TI-137070-A004** Drg Rev **1A**





TOP VIEW

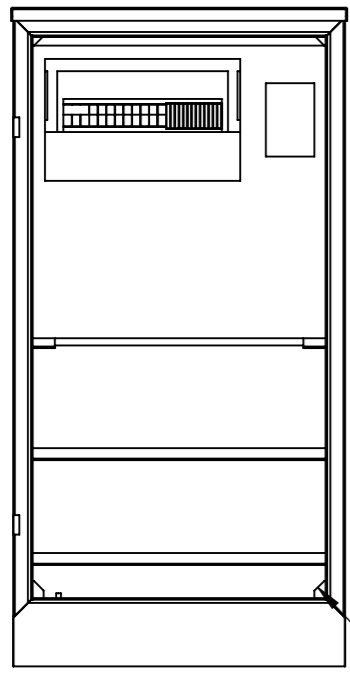
PHOTO CELL  
TO BE LOCATED ON EITHER  
SIDE TO SUIT SITE AS REQ  
TBC



SECTION F-F

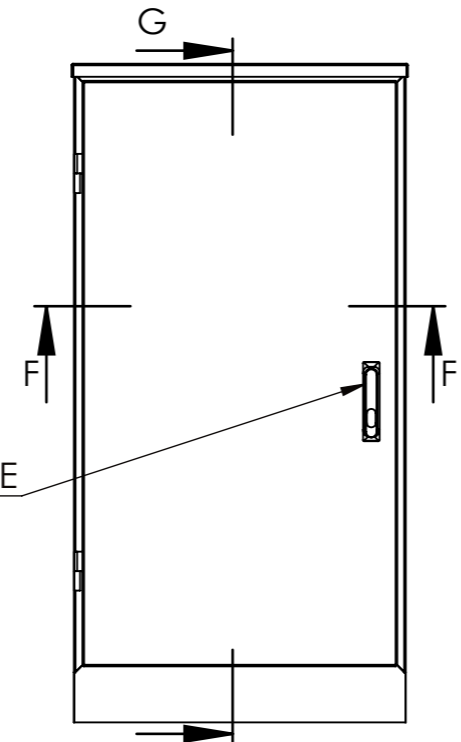
CLIPSAL RMXE118F

CONTACTOR  
CUTLER HAMMER  
SIZE 2



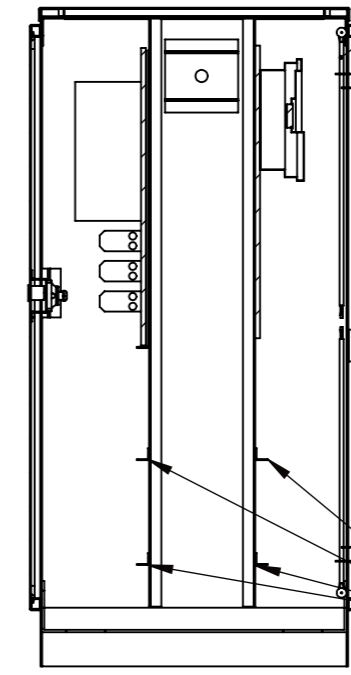
REAR VIEW  
DOOR REMOVED

8 OFF 6MM  
WELDED GUSSET



REAR VIEW

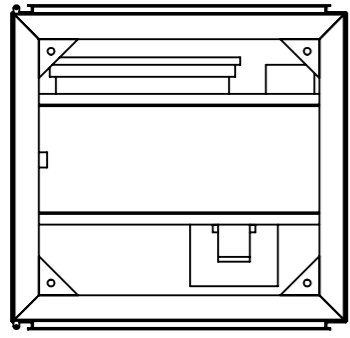
SWING HANDLE



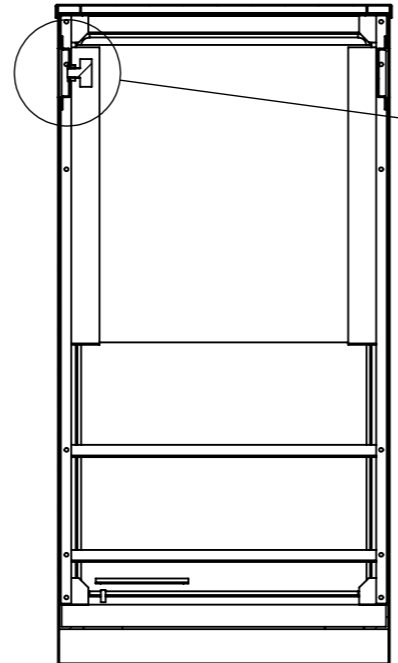
SECTION G-G

3 POINT LOCKING

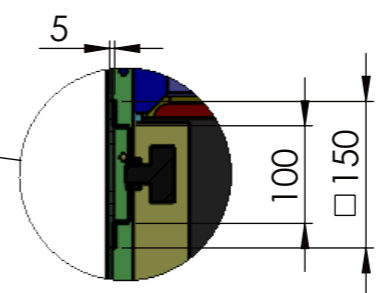
CABLE SUPPORTS 25 X 25 X 3  
LOCATED AS REQUIRED



BOTTOM VIEW



SECTION H-H



DETAIL I  
PHOTO CELL

UNLESS NOTED OTHERWISE:  
1. Dimensions in millimetres.  
2. Deburr and break all sharp edges.

Linear Dim's	±0.5	Hole Diameters	+0.1 -0.05
Angular Dim's	±1°	All Bends 90°	±0.5
Linear tolerance	C	Angular tolerance	C
Geometry tolerance	L		

Date Printed: 10/09/2019 Date Created: 10/09/2019

Checked	Author	Mass
RJS	RJS	Kgs.



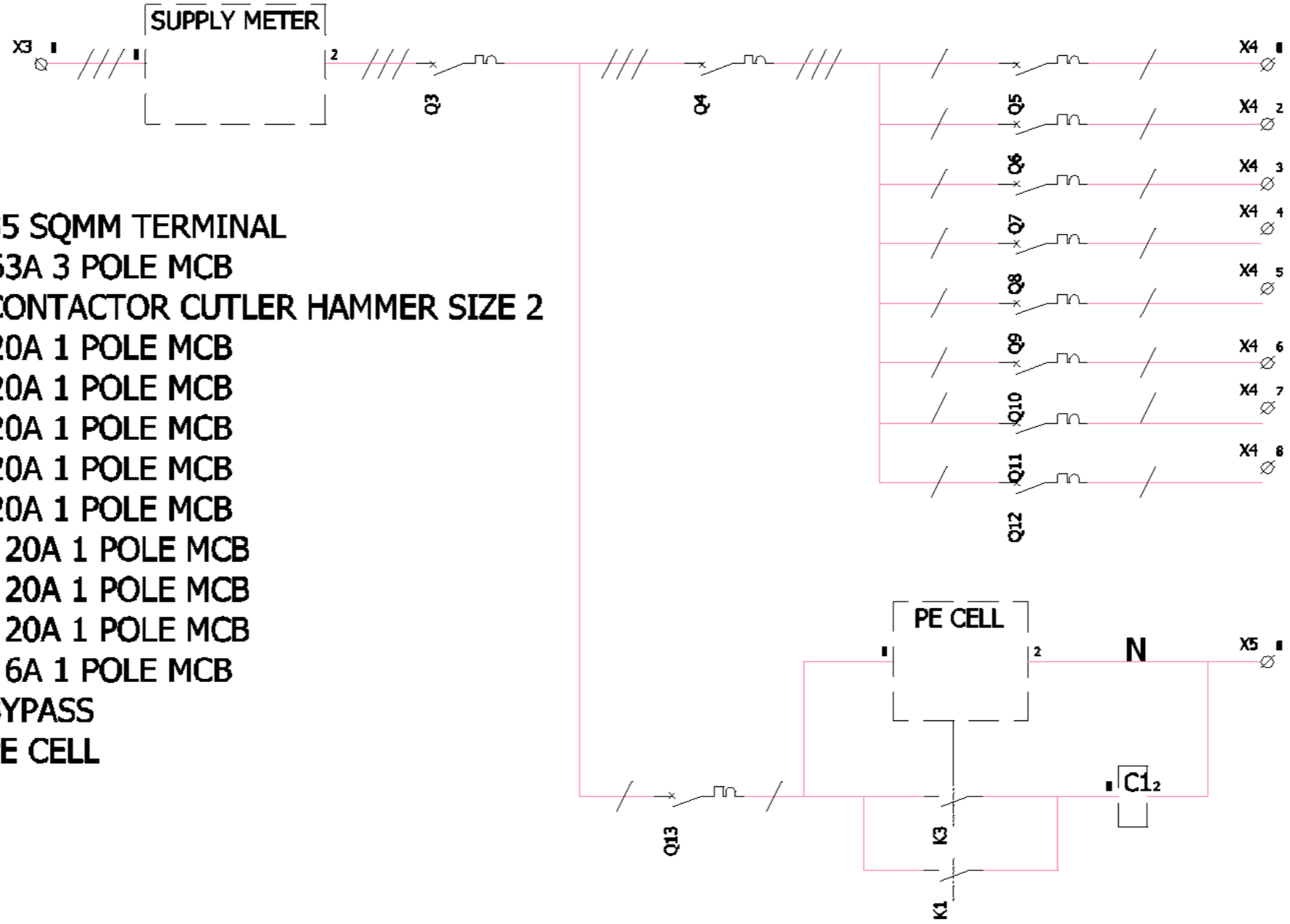
Logix Engineering Pty Ltd  
28 Spine St, Sumner Park,  
QLD, 4074, Australia  
t: +61 434 034 703  
w: www.logixeng.com.au  
e: tony@logixeng.com.au

Component Type	<b>EDC-RMS-T1</b>
Finish	<b>POWDERCOATED OLIVE GREEN</b>
Material	<b>ALUMINIUM 3 mm</b>

Component / Assembly Description  
**STREET LIGHTING CONTROL AND SWITCHBOARD CABINET**



Drawing Status	<b>RELEASED FOR MANUFACTURE</b>			Drawing Type
Scale	Sheet No.	Sheet size	Drawing No.	Drg Rev
1:15.5	3 of 4	A3	RMS-EDC-TI-137070-A004	1A



- X3 35 SQMM TERMINAL
- Q3 63A 3 POLE MCB
- C1 CONTACTOR CUTLER HAMMER SIZE 2
- Q5 20A 1 POLE MCB
- Q6 20A 1 POLE MCB
- Q7 20A 1 POLE MCB
- Q8 20A 1 POLE MCB
- Q9 20A 1 POLE MCB
- Q10 20A 1 POLE MCB
- Q11 20A 1 POLE MCB
- Q12 20A 1 POLE MCB
- Q13 6A 1 POLE MCB
- K1 BYPASS
- K3 PE CELL

<b>UNLESS NOTED OTHERWISE:</b> 1. Dimensions in millimetres. 2. Deburr and break all sharp edges. Linear Dim's $\pm 0.5$ Hole Diameters $^{+0.1}_{-0.05}$ Angular Dim's $\pm 1^\circ$ All Bends $90^\circ \pm 0.5$			Logix Engineering Pty Ltd 28 Spine St, Sumner Park, QLD, 4074, Australia t: +61 434 034 703 w: www.logixeng.com.au e: tony@logixeng.com.au		Component Type <b>EDC-RMS-T1</b>
Linear tolerance C Angular tolerance C Geometry tolerance L			Component / Assembly Description <b>STREET LIGHTING CONTROL AND SWITCHBOARD CABINET</b>		Finish <b>N/A</b> Material <b>N/A</b>
Date Printed <b>10/09/2019</b>	Date Created <b>10/09/2019</b>		Drawing Status <b>RELEASED FOR MANUFACTURE</b>		Drawing Type <b>1A</b>
Checked <b>RJS</b>	Author <b>RJS</b>		Mass <b>Kgs.</b>	Scale <b>1:15.5</b>	Sheet No. <b>4 of 4</b>
			Drawing No. <b>RMS-EDC-TI-137070-A004</b>		