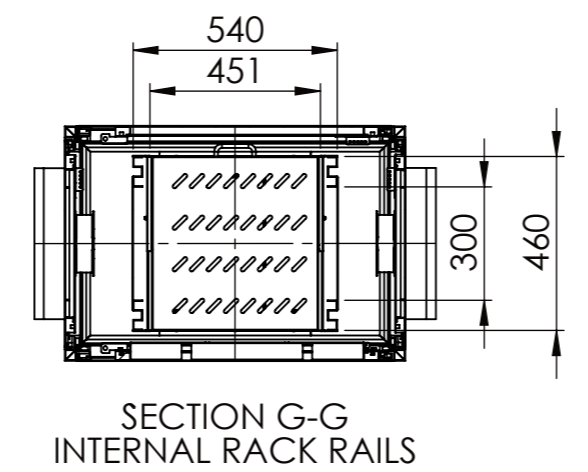
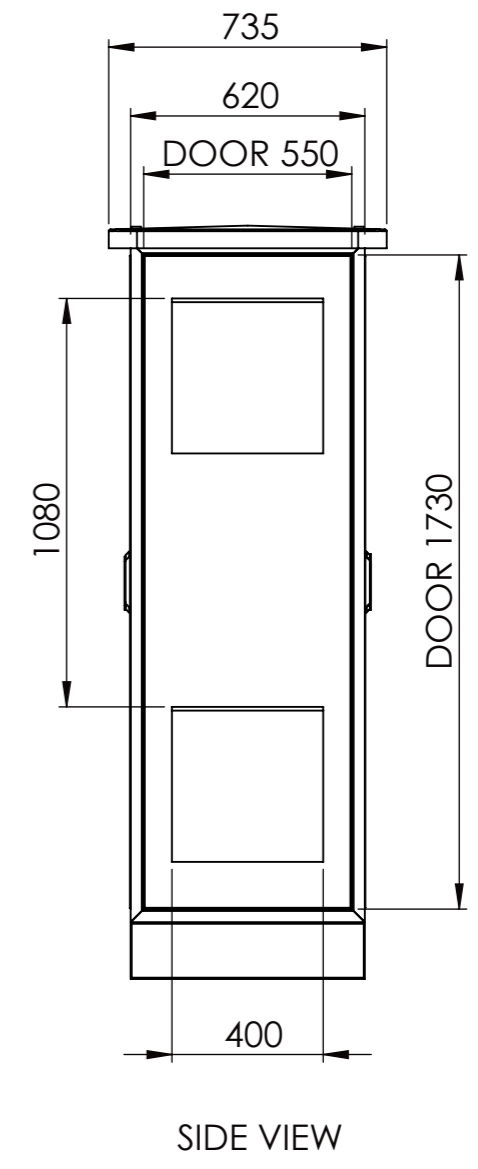
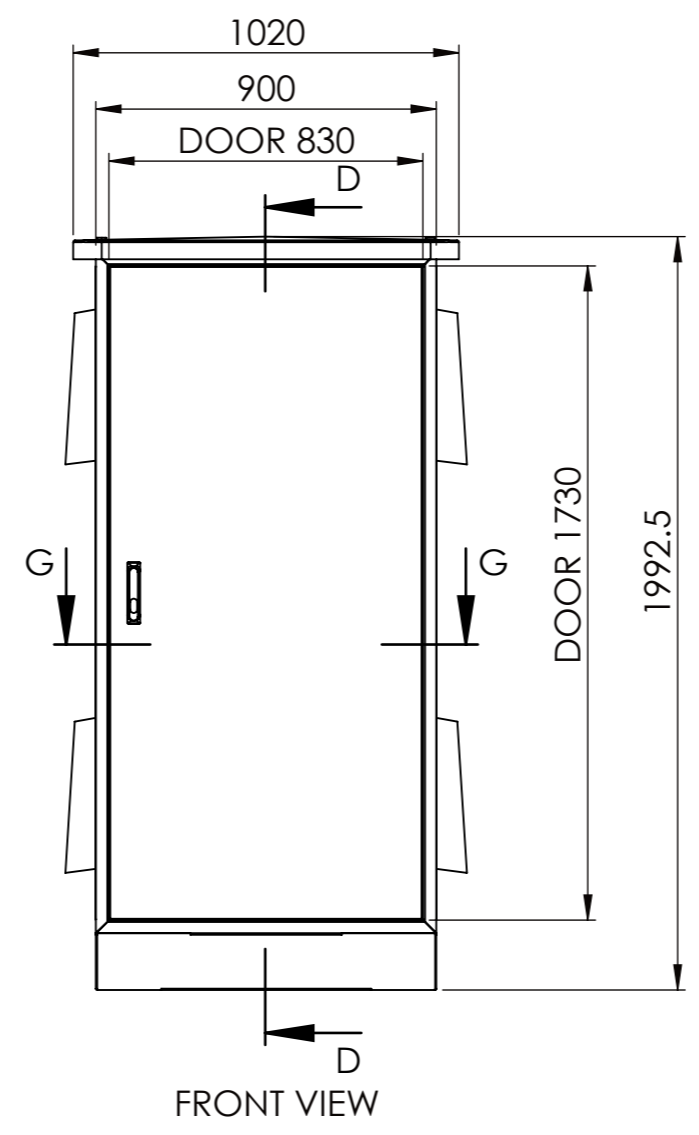
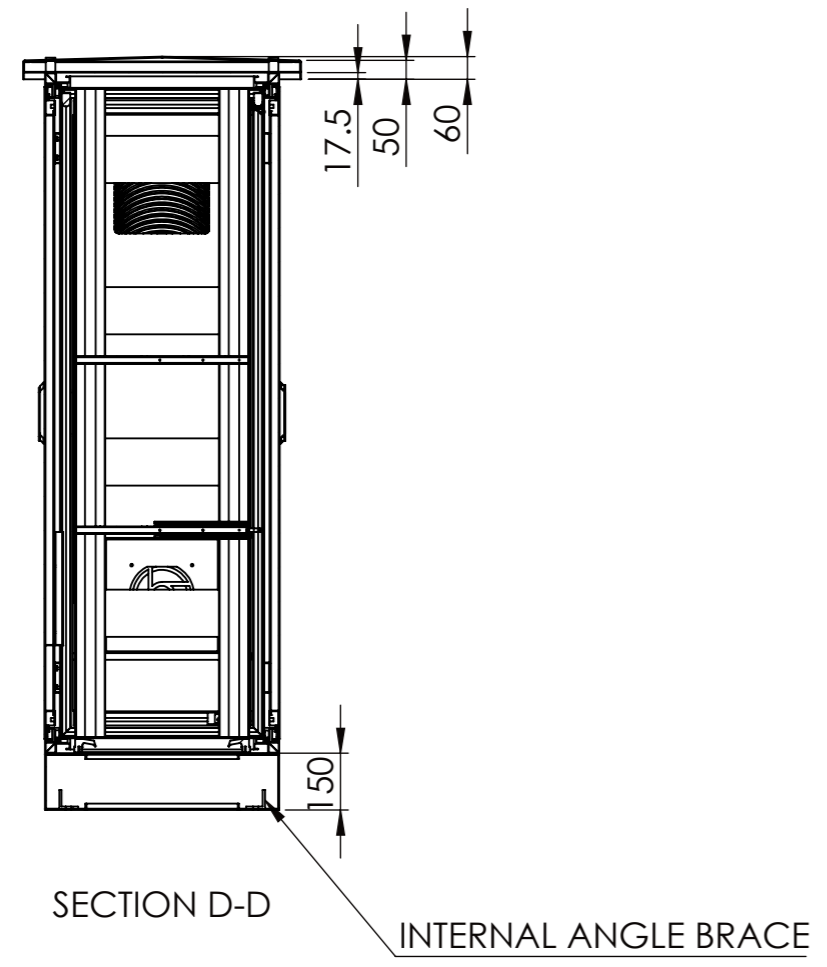


ITEM No	DESCRIPTION	SUPPLIER	PART No	QTY
1	CABINET	LOGIX	ITCS180906	1
2	SHELF	LOGIX	ITCS-SHF	1
3	TELESCOPIC SHELF	LOGIX	ITCS-SHT	1
4	FAN	SUNON	A2175-HBL	2
5	FILTER	LEIPOLE	7727-300	2

ISOMETRIC VIEW

UNLESS NOTED OTHERWISE: 1. Dimensions in millimetres. 2. Deburr and break all sharp edges. Linear Dim's ± 0.5 Hole Diameters $^{+0.1}_{-0.05}$ Angular Dim's $\pm 1^{\circ}$ All Bends $90^{\circ} \pm 0.5$		Logix Engineering Pty Ltd 28 Spine St, Sumner Park, QLD, 4074, Australia t: +61 434 034 703 w: www.logixeng.com.au e: tony@logixeng.com.au	Component Type ITCS-ASSEMBLY
Linear tolerance C Angular tolerance C Geometry tolerance L	Finish POWDERCOATED Material ALUMINIUM 2.5mm		
Date Printed 30/10/2020 Date Created 29/10/2019		Component / Assembly Description MRWA-ITCS-180906-ASSEMBLY	
Checked RJS Author RJS Mass N/A		Drawing Status RELEASED FOR MANUFACTURE	Drawing Type A
Scale 1:20 Sheet No. 1 of 5 Sheet size A3		Drawing No. MRWA-ITCS-180906 Drg Rev 1A	



UNLESS NOTED OTHERWISE:
 1. Dimensions in millimetres.
 2. Deburr and break all sharp edges.

Linear Dim's ± 0.5	Hole Diameters $^{+0.1}_{-0.05}$
Angular Dim's $\pm 1^\circ$	All Bends $90^\circ \pm 0.5$

Linear tolerance	C
Angular tolerance	C
Geometry tolerance	L

Date Printed	Date Created
30/10/2020	29/10/2019

Checked	Author	Mass
RJS	RJS	N/A

LOGIX ENGINEERING

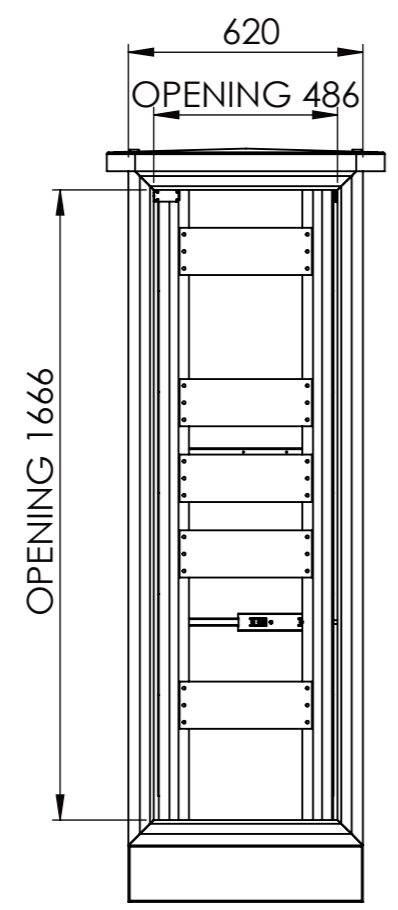
Logix Engineering Pty Ltd
 28 Spine St, Sumner Park,
 QLD, 4074, Australia
 t: +61 434 034 703
 w: www.logixeng.com.au
 e: tony@logixeng.com.au

Component / Assembly Description
MRWA-ITCS-180906 ASSEMBLY

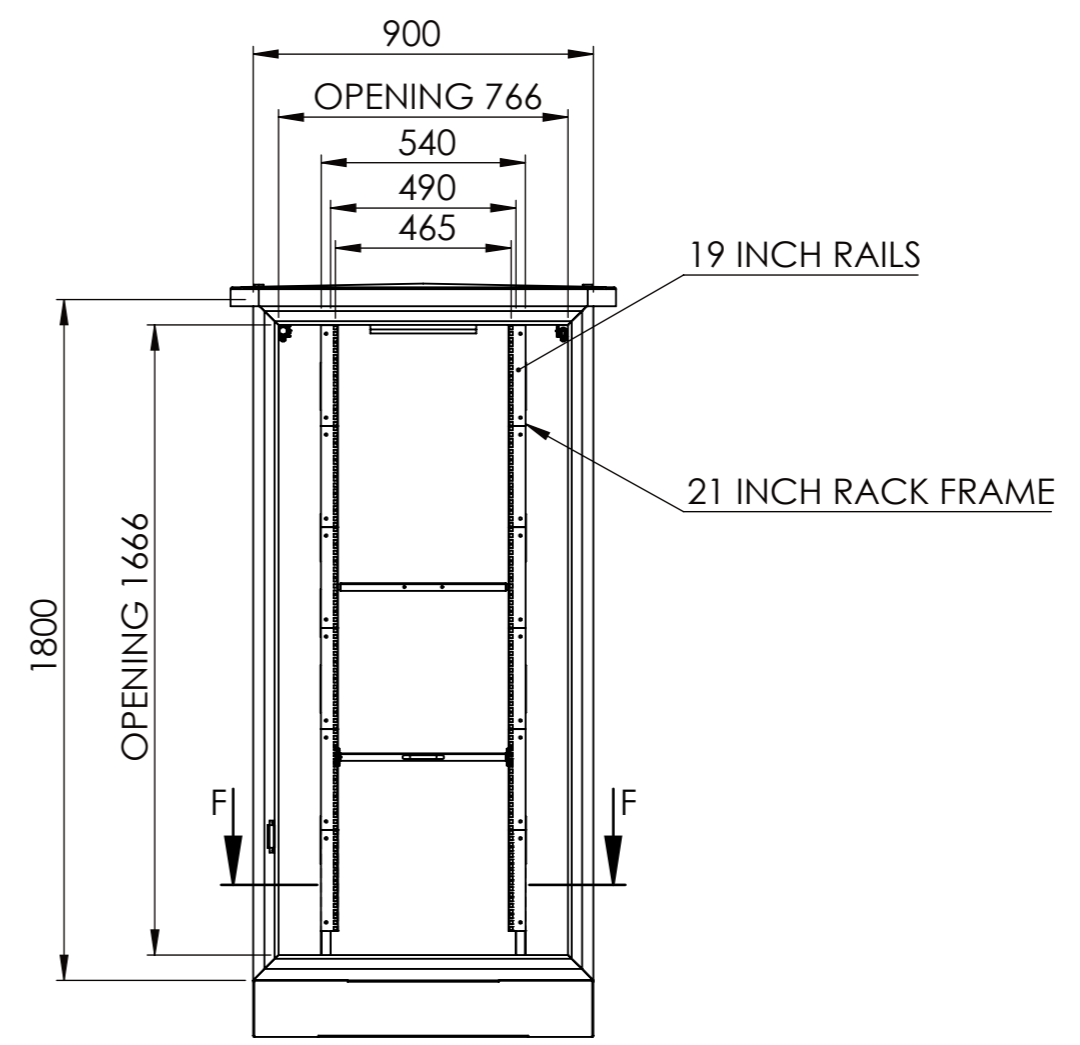
AS1100

Component Type	ITCS-ASSEMBLY
Finish	POWDERCOATED
Material	ALUMINIUM 2.5mm

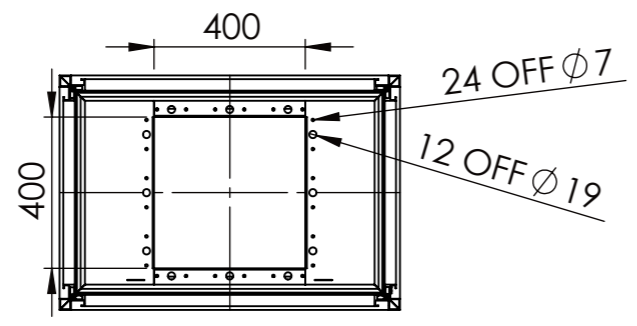
Drawing Status	RELEASED FOR MANUFACTURE	Drawing Type	A
Scale	1:20	Sheet No.	2 of 5
Sheet size	A3	Drawing No.	MRWA-ITCS-180906
		Drg Rev	1A



SIDE VIEW

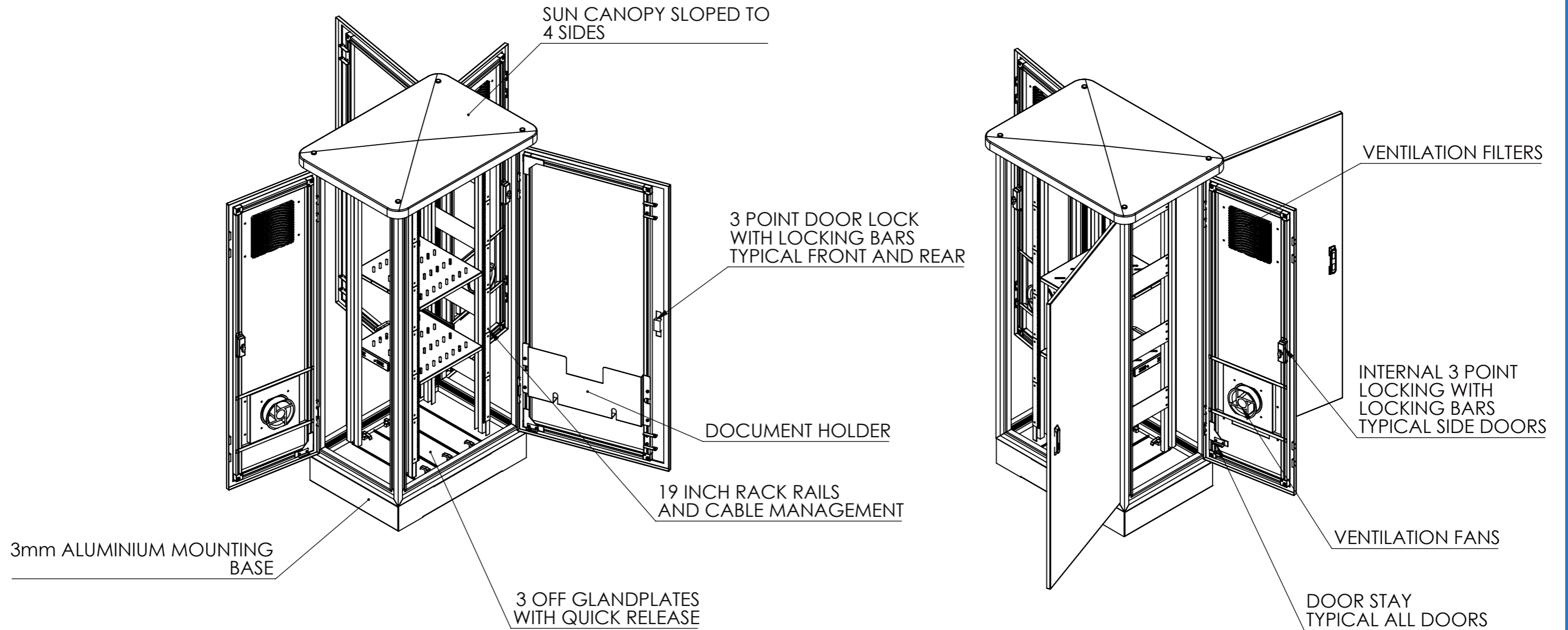


FRONT VIEW

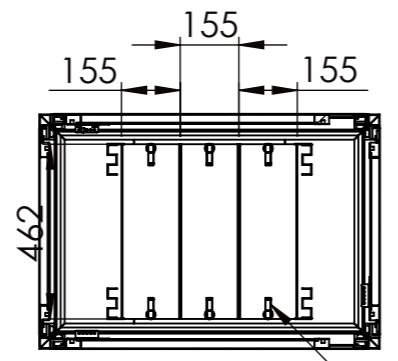


SECTION F-F
INSIDE OPENING WITH GLANDPLATES
REMOVED

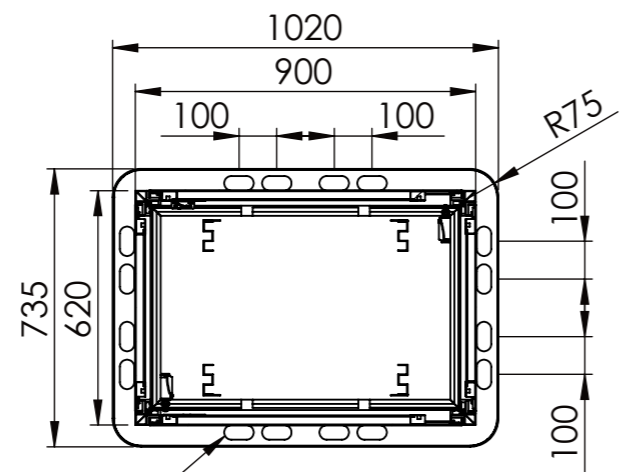
UNLESS NOTED OTHERWISE: 1. Dimensions in millimetres. 2. Deburr and break all sharp edges. Linear Dim's ± 0.5 Hole Diameters $^{+0.1}_{-0.05}$ Angular Dim's $\pm 1^\circ$ All Bends $90^\circ \pm 0.5$			LOGIX ENGINEERING Logix Engineering Pty Ltd 28 Spine St, Sumner Park, QLD, 4074, Australia t: +61 434 034 703 w: www.logixeng.com.au e: tony@logixeng.com.au		Component Type ITCS-ASSEMBLY
Linear tolerance C Angular tolerance C Geometry tolerance L			Finish POWDERCOATED Material ALUMINIUM 2.5mm		
Date Printed 30/10/2020 Date Created 29/10/2019			Component / Assembly Description MRWA-ITCS-180906 ASSEMBLY		
Checked RJS Author RJS Mass N/A			Drawing Status RELEASED FOR MANUFACTURE		
Scale 1:20 Sheet No. 3 of 5 Sheet size A3			Drawing No. MRWA-ITCS-180906 Drg Rev 1A		



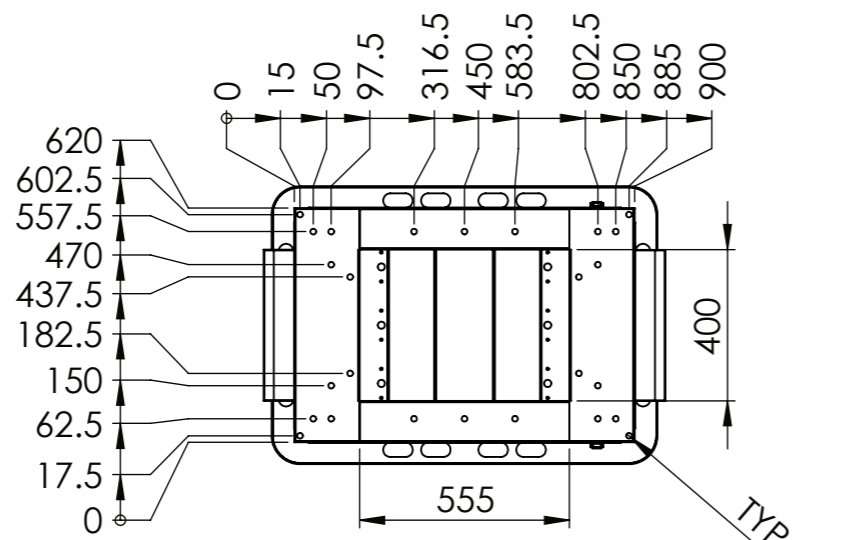
UNLESS NOTED OTHERWISE: 1. Dimensions in millimetres. 2. Deburr and break all sharp edges.				Logix Engineering Pty Ltd 28 Spine St, Sumner Park, QLD, 4074, Australia t: +61 434 034 703 w: www.logixeng.com.au e: tony@logixeng.com.au		Component Type ITCS-ASSEMBLY	
Linear Dim's ± 0.5 Angular Dim's $\pm 1^\circ$	Hole Diameters $^{+0.1}_{-0.05}$ All Bends $90^\circ \pm 0.5$			Finish POWDERCOATED	Material ALUMINIUM 2.5mm	Component / Assembly Description MRWA-ITCS-180906 ASSEMBLY	
Linear tolerance C Angular tolerance C Geometry tolerance L	Date Printed 30/10/2020 Date Created 29/10/2019		Drawing Status RELEASED FOR MANUFACTURE		Drawing Type A		
Checked RJS Author RJS Mass N/A			Scale 1:20	Sheet No. 4 of 5	Sheet size A3	Drawing No. MRWA-ITCS-180906	Drg Rev 1A



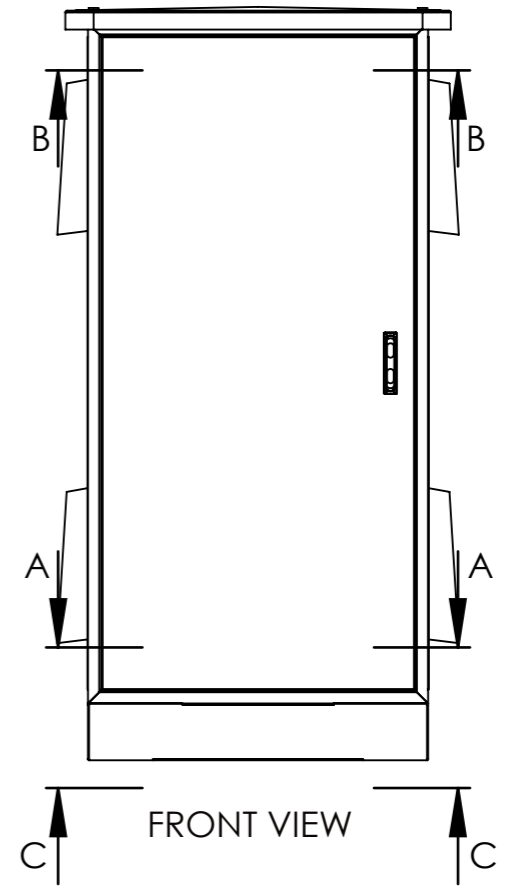
SECTION A-A
TURNBUCKLE
LEVER LOCKS
TO GLANDPLATES



SECTION B-B
INTERNAL VERMIN
MESH

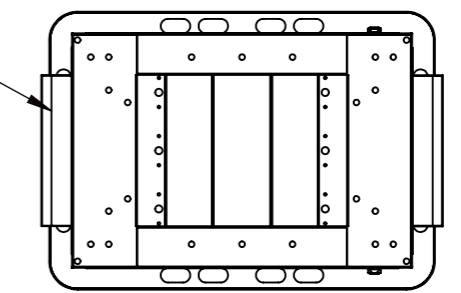


SECTION C-C
TYP Ø15



FRONT VIEW

VERMIN MESH
TO UNDERSIDE OF
ALL VENT COVERS



BOTTOM VIEW

UNLESS NOTED OTHERWISE: 1. Dimensions in millimetres. 2. Deburr and break all sharp edges. Linear Dim's ± 0.5 Hole Diameters $^{+0.1}_{-0.05}$ Angular Dim's $\pm 1^\circ$ All Bends $90^\circ \pm 0.5$		Logix Engineering Pty Ltd 28 Spine St, Sumner Park, QLD, 4074, Australia t: +61 434 034 703 w: www.logixeng.com.au e: tony@logixeng.com.au	Component Type ITCS-ASSEMBLY
Linear tolerance C Angular tolerance C Geometry tolerance L	Finish POWDERCOATED Material ALUMINIUM 2.5mm		
Date Printed 30/10/2020 Date Created 29/10/2019		Component / Assembly Description MRWA-ITCS-180906 ASSEMBLY	
Checked RJS Author RJS Mass N/A		Drawing Status RELEASED FOR MANUFACTURE	Drawing Type A
Scale 1:20 Sheet No. 5 of 5 Sheet size A3		Drawing No. MRWA-ITCS-180906 Drg Rev 1A	