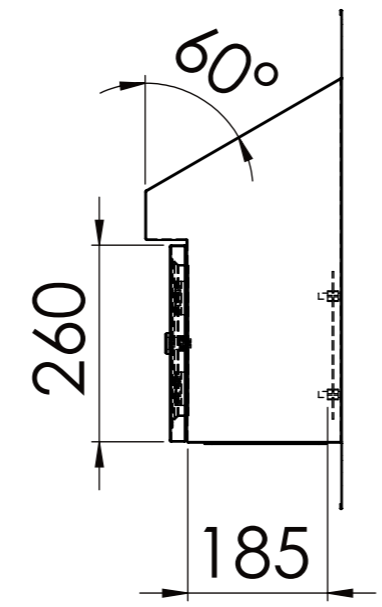
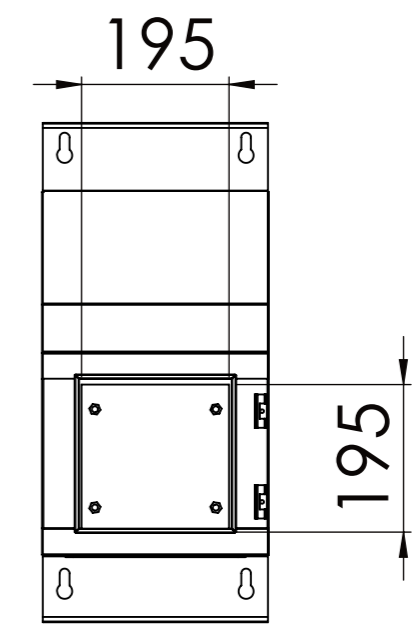


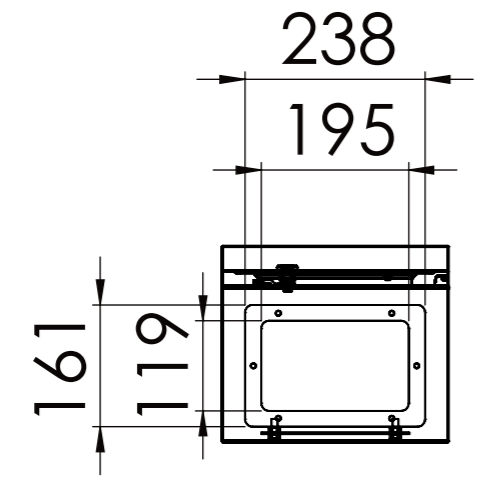
FRONT VIEW



SIDE VIEW

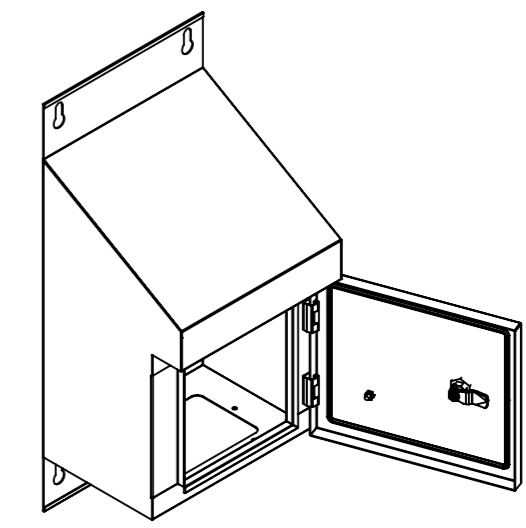


FRONT VIEW
DOOR REMOVED



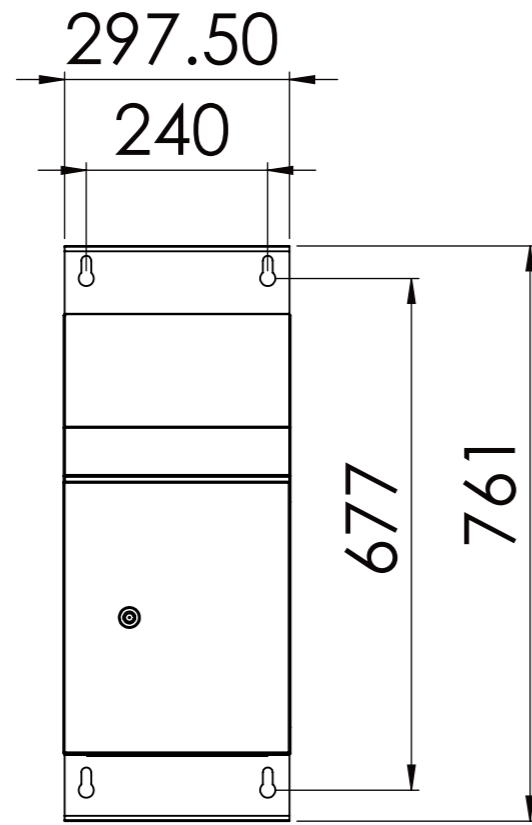
BOTTOM VIEW

STANDARD ACCESSORIES INCLUDED	
TYPE	QTY
DOOR EARTH STRAP	1
DOUBLE BIT LOCK	1
LOCK DUST COVER	1
STEEL KEY	1
STAINLESS STEEL GLAND PLATE	1
GALVANISED STEEL MOUNTING PAN	1

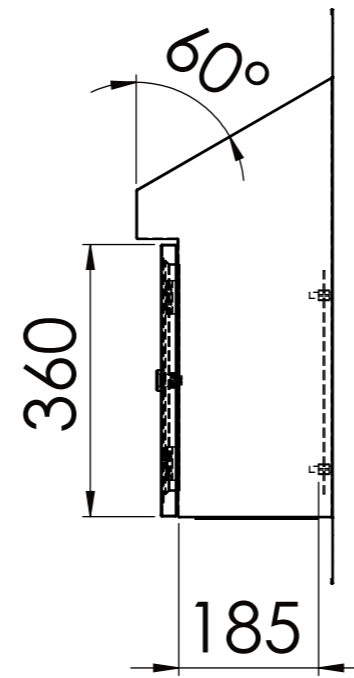


ISOMETRIC

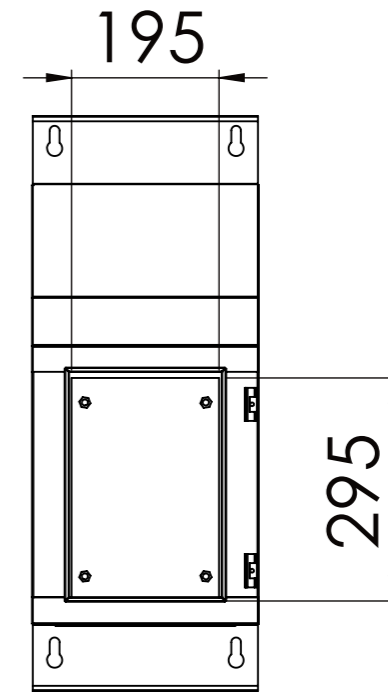
UNLESS NOTED OTHERWISE: 1. Dimensions in millimetres. 2. Deburr and break all sharp edges. Linear Dim's ± 0.5 Hole Diameters $^{+0.1}_{-0.05}$ Angular Dim's $\pm 1^\circ$ All Bends $90^\circ \pm 0.5$		Logix Engineering Pty Ltd 28 Spine St, Sumner Park, QLD, 4074, Australia t: +61 434 034 703 w: www.logixeng.com.au e: tony@logixeng.com.au	Component Type MBS3-3020	
Linear tolerance C Angular tolerance C Geometry tolerance L	Date Printed 26/07/2019 Date Created 26/07/2019		Finish N4 Material SS	Component / Assembly Description MBS MINING BOX
Checked RJS Author RJS Mass		Drawing Status RELEASED FOR MANUFACTURE	Drawing Type	
Scale 1:10 Sheet No. 1 of 2 Sheet size A3		Drawing No. MBS3-0302 Drg Rev. 1A		



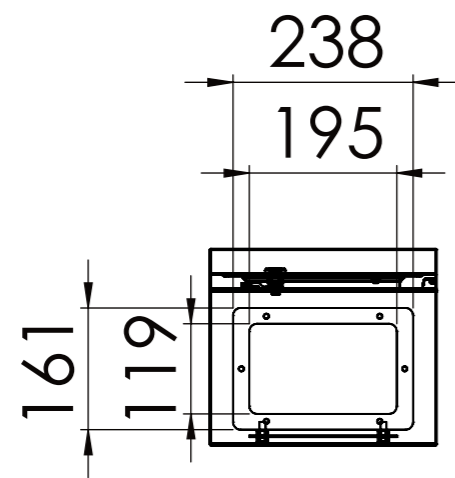
FRONT VIEW



SIDE VIEW

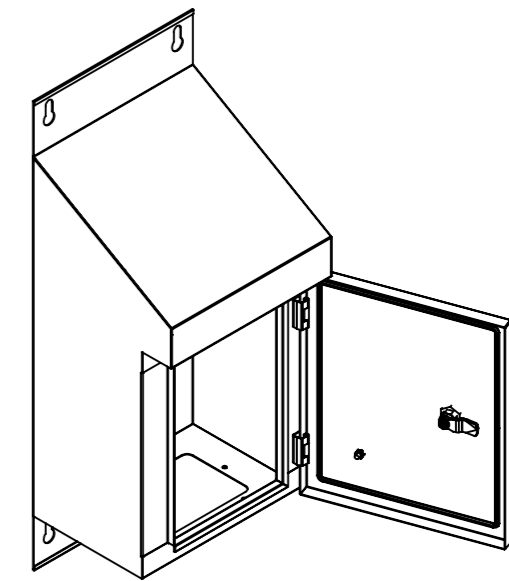


FRONT VIEW
DOOR REMOVED



BOTTOM VIEW

STANDARD ACCESSORIES INCLUDED	
TYPE	QTY
DOOR EARTH STRAP	1
DOUBLE BIT LOCK	1
LOCK DUST COVER	1
STEEL KEY	1
STAINLESS STEEL GLAND PLATE	1
GALVANISED STEEL MOUNTING PAN	1

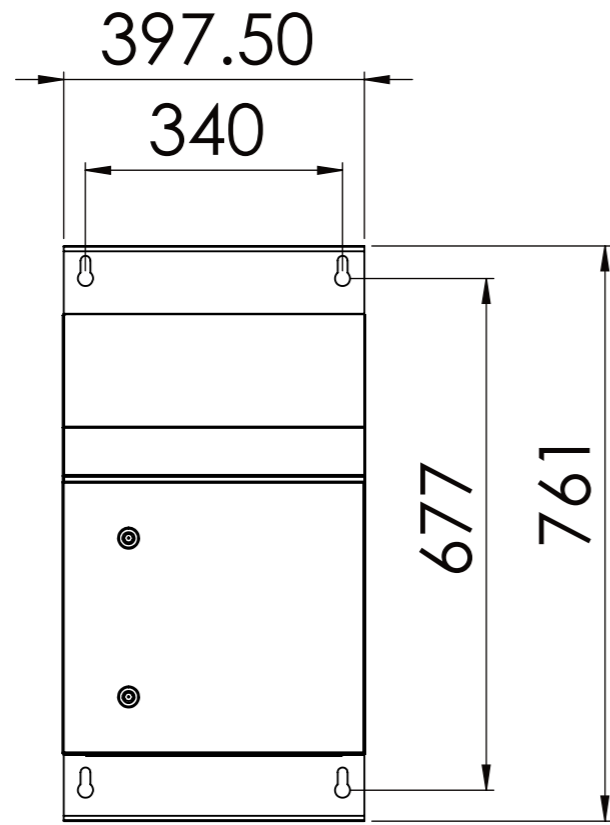


ISOMETRIC

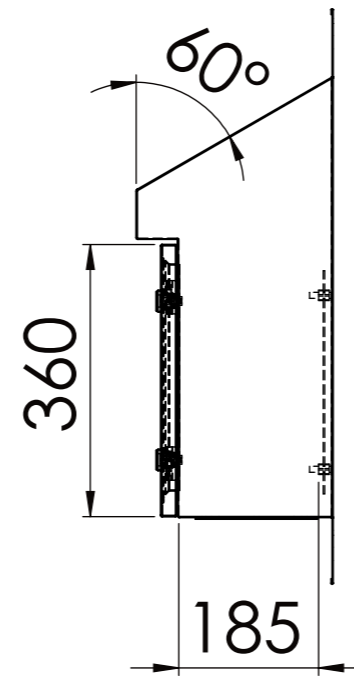
UNLESS NOTED OTHERWISE:
 1. Dimensions in millimetres.
 2. Deburr and break all sharp edges.
 Linear Dim's ± 0.5 Hole Diameters $^{+0.1}_{-0.05}$
 Angular Dim's $\pm 1^\circ$ All Bends $90^\circ \pm 0.5$

Linear tolerance	C
Angular tolerance	C
Geometry tolerance	L
Date Printed	29/07/2019
Date Created	26/07/2019
Checked	RJS
Author	RJS
Mass	

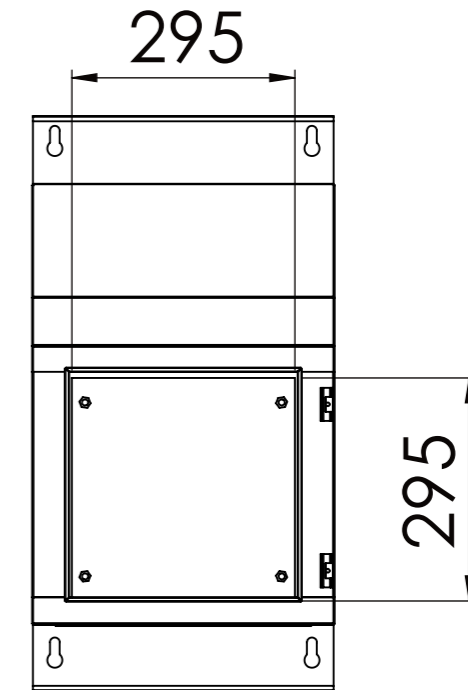
	Logix Engineering Pty Ltd 28 Spine St, Sumner Park, QLD, 4074, Australia t: +61 434 034 703 w: www.logixeng.com.au e: tony@logixeng.com.au	Component Type MBS4-3020
	Finish N4	Material SS
Component / Assembly Description MBS MINING BOX		
Drawing Status RELEASED FOR MANUFACTURE	Drawing Type MBS4-0302 1A	Scale 1:10
Sheet No. 1 of 2	Sheet size A3	Drg Rev 1A



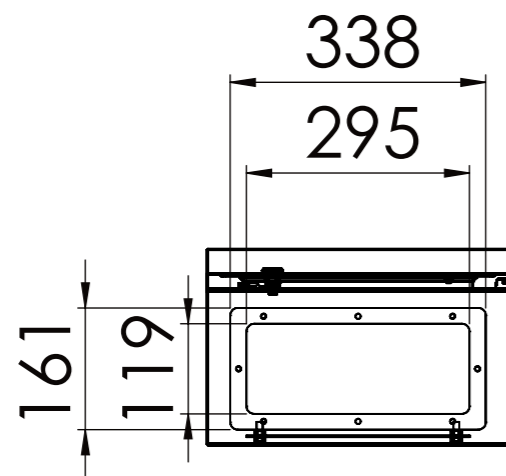
FRONT VIEW



SIDE VIEW

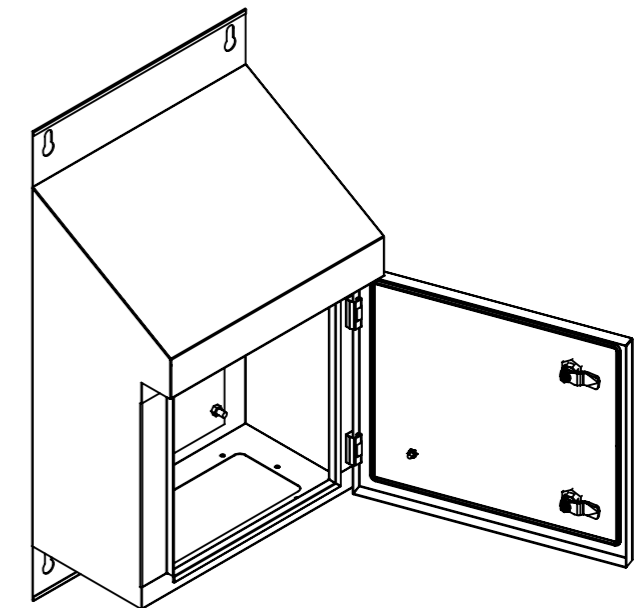


FRONT VIEW
DOOR REMOVED



BOTTOM VIEW

STANDARD ACCESSORIES INCLUDED	
TYPE	QTY
DOOR EARTH STRAP	1
DOUBLE BIT LOCK	2
LOCK DUST COVER	2
STEEL KEY	1
STAINLESS STEEL GLAND PLATE	1
GALVANISED STEEL MOUNTING PAN	1



ISOMETRIC

UNLESS NOTED OTHERWISE:
 1. Dimensions in millimetres.
 2. Deburr and break all sharp edges.
 Linear Dim's ± 0.5 Hole Diameters $^{+0.1}_{-0.05}$
 Angular Dim's $\pm 1^\circ$ All Bends $90^\circ \pm 0.5$



Logix Engineering Pty Ltd
 28 Spine St, Sumner Park,
 QLD, 4074, Australia
 t: +61 434 034 703
 w: www.logixeng.com.au
 e: tony@logixeng.com.au

Component Type	MBS4-4020
Finish	N4
Material	SS

Linear tolerance	C
Angular tolerance	C
Geometry tolerance	L

Component / Assembly Description
MBS MINING BOX

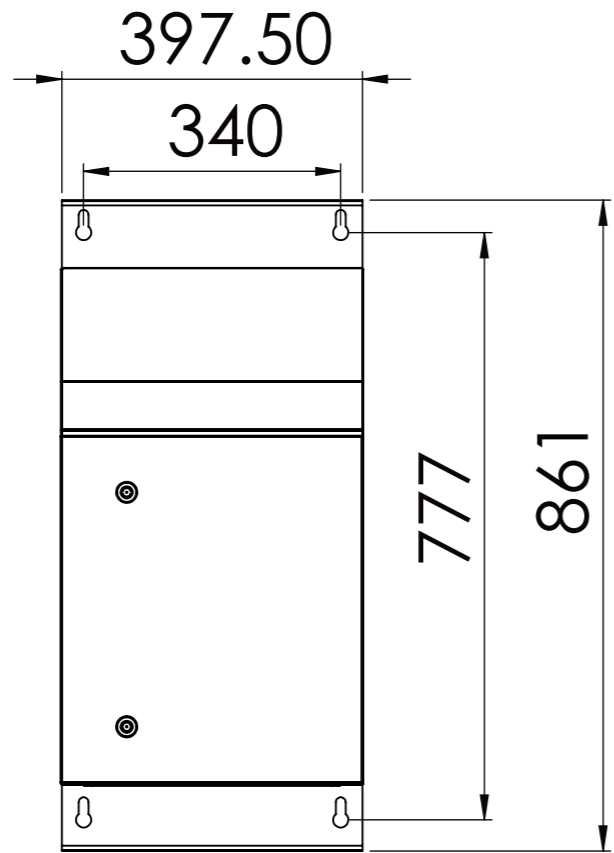
Date Printed	29/07/2019	Date Created	26/07/2019
--------------	-------------------	--------------	-------------------



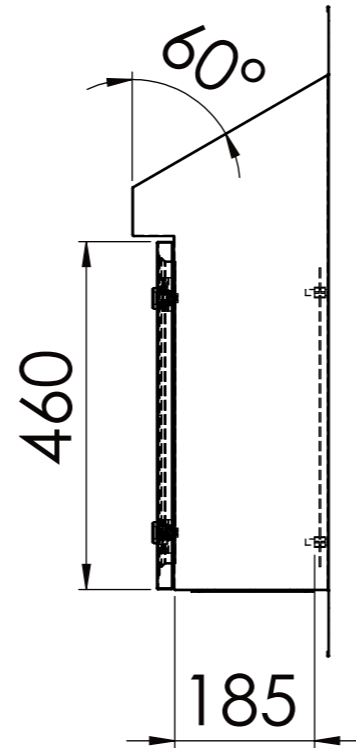
Drawing Status	RELEASED FOR MANUFACTURE	Drawing Type	
----------------	---------------------------------	--------------	--

Checked	Author	Mass
RJS	RJS	

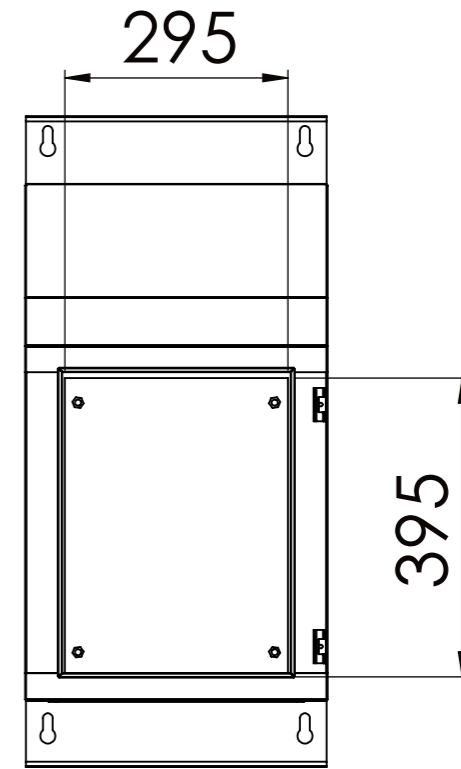
Scale	Sheet No.	Sheet size	Drawing No.	Drg Rev.
1:10	1 of 2	A3	MBS4-0402	1A



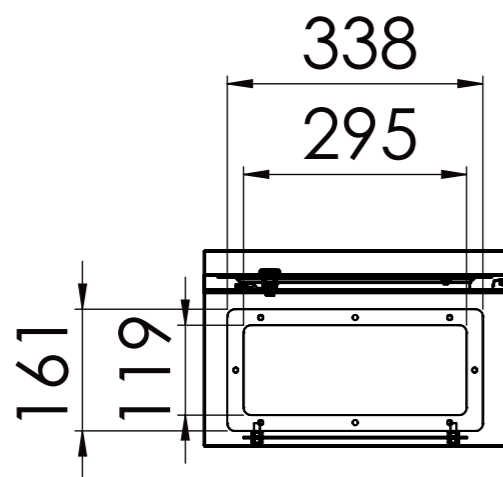
FRONT VIEW



SIDE VIEW

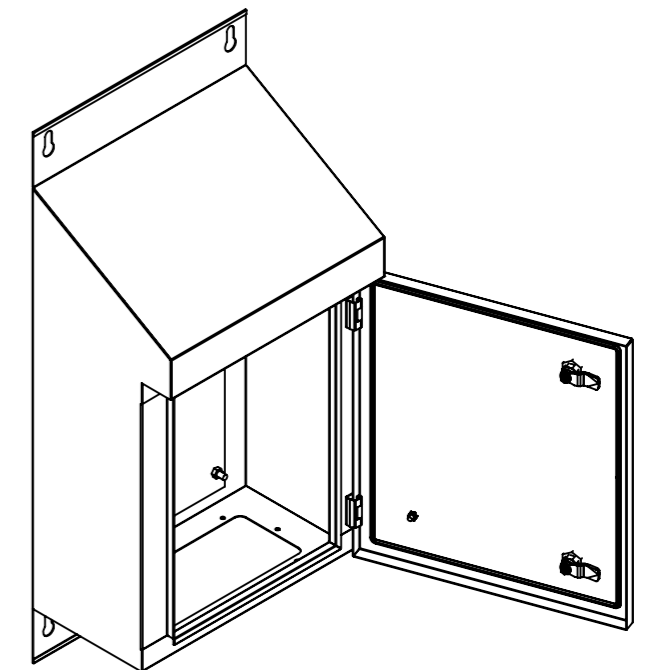


FRONT VIEW
DOOR REMOVED



BOTTOM VIEW

STANDARD ACCESSORIES INCLUDED	
TYPE	QTY
DOOR EARTH STRAP	1
DOUBLE BIT LOCK	2
LOCK DUST COVER	2
STEEL KEY	1
STAINLESS STEEL GLAND PLATE	1
GALVANISED STEEL MOUNTING PAN	1



ISOMETRIC

UNLESS NOTED OTHERWISE:
 1. Dimensions in millimetres.
 2. Deburr and break all sharp edges.
 Linear Dim's ± 0.5 Hole Diameters $^{+0.1}_{-0.05}$
 Angular Dim's $\pm 1^\circ$ All Bends $90^\circ \pm 0.5$



Logix Engineering Pty Ltd
 28 Spine St, Sumner Park,
 QLD, 4074, Australia
 t: +61 434 034 703
 w: www.logixeng.com.au
 e: tony@logixeng.com.au

Component Type **MBS5-4020**

Finish **N4** Material **SS**

Linear tolerance **C**
 Angular tolerance **C**
 Geometry tolerance **L**

Component / Assembly Description
MBS MINING BOX

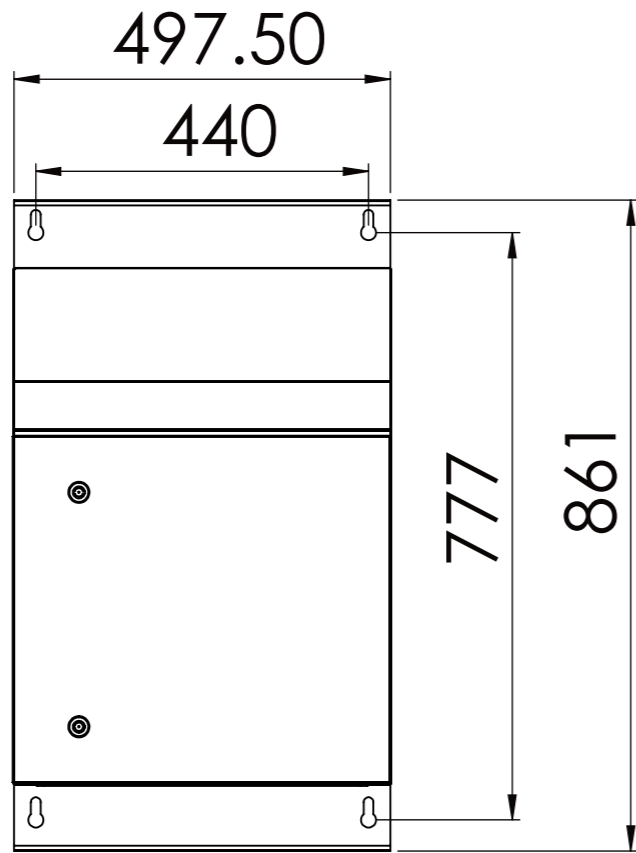
Date Printed **30/04/2020** Date Created **26/07/2019**



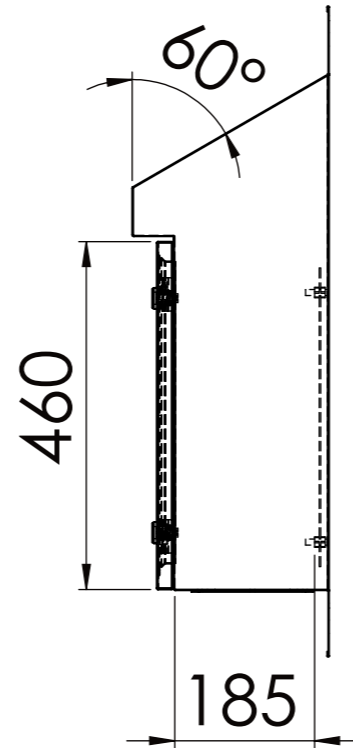
Drawing Status **RELEASED FOR MANUFACTURE** Drawing Type

Checked **RJS** Author **RJS** Mass

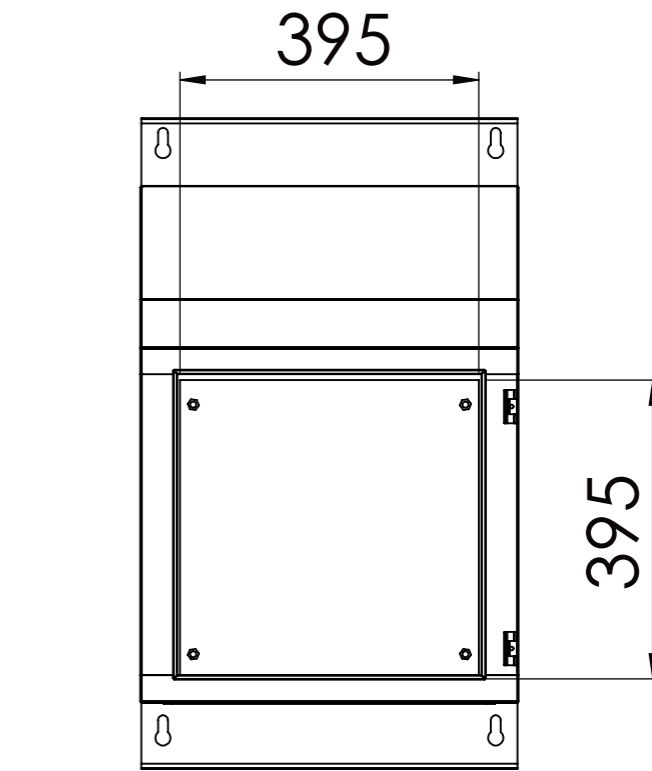
Scale **1:10** Sheet No. **1 of 2** Sheet size **A3** Drawing No. **MBS5-0402** Drg Rev. **1A**



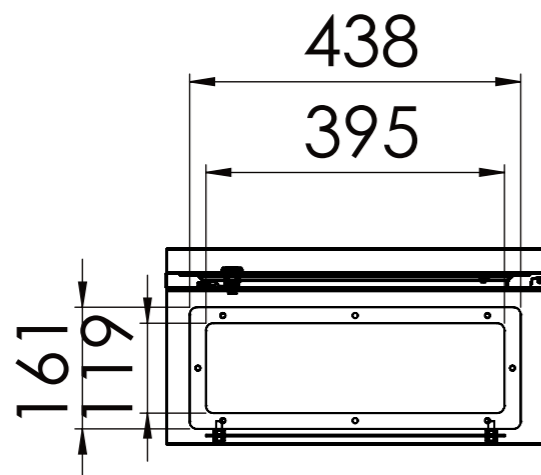
FRONT VIEW



SIDE VIEW

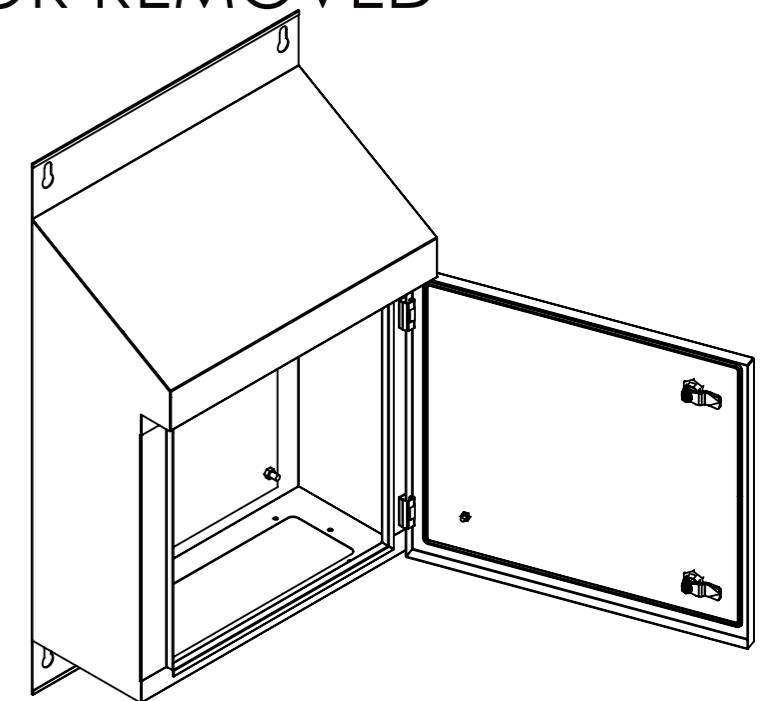


FRONT VIEW
DOOR REMOVED



BOTTOM VIEW

STANDARD ACCESSORIES INCLUDED	
TYPE	QTY
DOOR EARTH STRAP	1
DOUBLE BIT LOCK	2
LOCK DUST COVER	2
STEEL KEY	1
STAINLESS STEEL GLAND PLATE	1
GALVANISED STEEL MOUNTING PAN	1



ISOMETRIC

UNLESS NOTED OTHERWISE:
 1. Dimensions in millimetres.
 2. Deburr and break all sharp edges.
 Linear Dim's ± 0.5 Hole Diameters $^{+0.1}_{-0.05}$
 Angular Dim's $\pm 1^\circ$ All Bends $90^\circ \pm 0.5$



Logix Engineering Pty Ltd
 28 Spine St, Sumner Park,
 QLD, 4074, Australia
 t: +61 434 034 703
 w: www.logixeng.com.au
 e: tony@logixeng.com.au

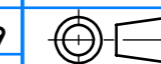
Component Type **MBS5-5020**

Finish **N4** Material **SS**

Linear tolerance C
 Angular tolerance C
 Geometry tolerance L

Component / Assembly Description
MBS MINING BOX

Date Printed **29/07/2019** Date Created **26/07/2019**



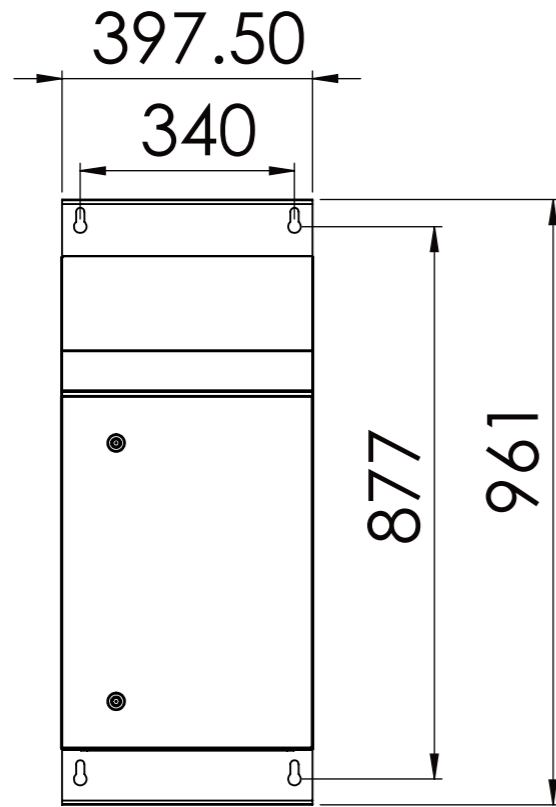
Drawing Status **RELEASED FOR MANUFACTURE**

Drawing Type

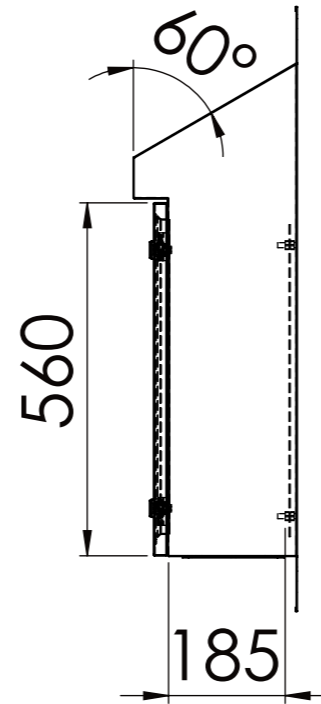
Checked **RJS** Author **RJS** Mass

Scale **1:10** Sheet No. **1 of 2** Sheet size **A3** Drawing No.

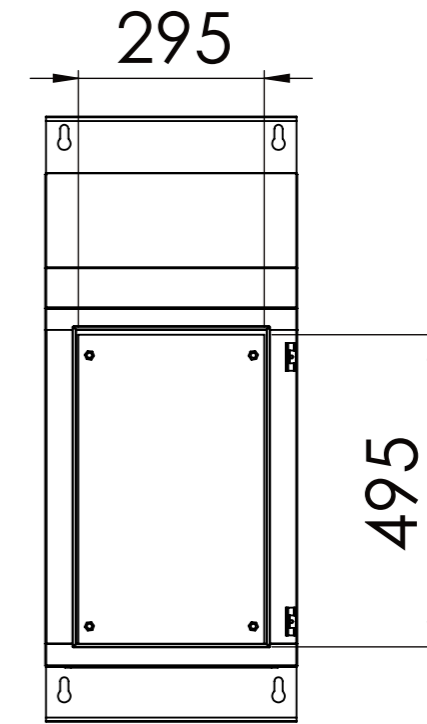
MBS5-0502 1A



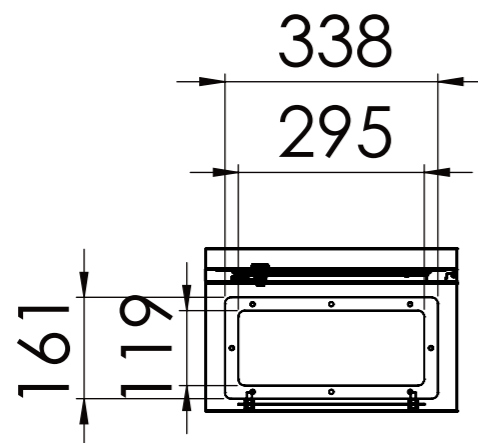
FRONT VIEW



SIDE VIEW

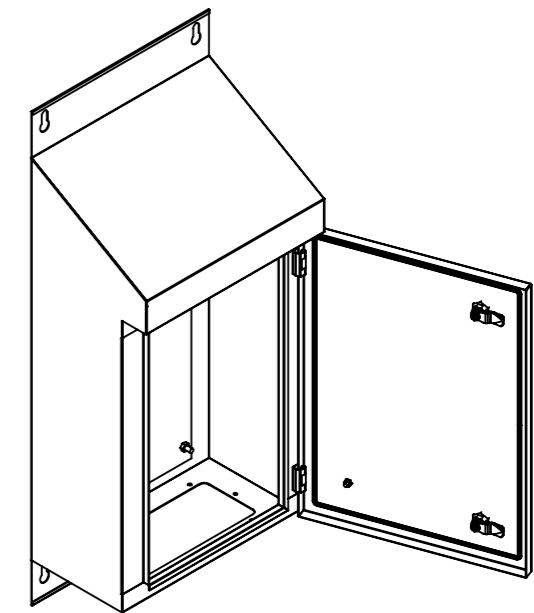


FRONT VIEW
DOOR REMOVED



BOTTOM VIEW

STANDARD ACCESSORIES INCLUDED	
TYPE	QTY
DOOR EARTH STRAP	1
DOUBLE BIT LOCK	2
LOCK DUST COVER	2
STEEL KEY	1
STAINLESS STEEL GLAND PLATE	1
GALVANISED STEEL MOUNTING PAN	1



ISOMETRIC

UNLESS NOTED OTHERWISE:
 1. Dimensions in millimetres.
 2. Deburr and break all sharp edges.
 Linear Dim's ± 0.5 Hole Diameters $^{+0.1}_{-0.05}$
 Angular Dim's $\pm 1^\circ$ All Bends $90^\circ \pm 0.5$



Logix Engineering Pty Ltd
 28 Spine St, Sumner Park,
 QLD, 4074, Australia
 t: +61 434 034 703
 w: www.logixeng.com.au
 e: tony@logixeng.com.au

Component Type	MBS6-4020
Finish	N4
Material	SS

Linear tolerance	C
Angular tolerance	C
Geometry tolerance	L

Component / Assembly Description
MBS MINING BOX

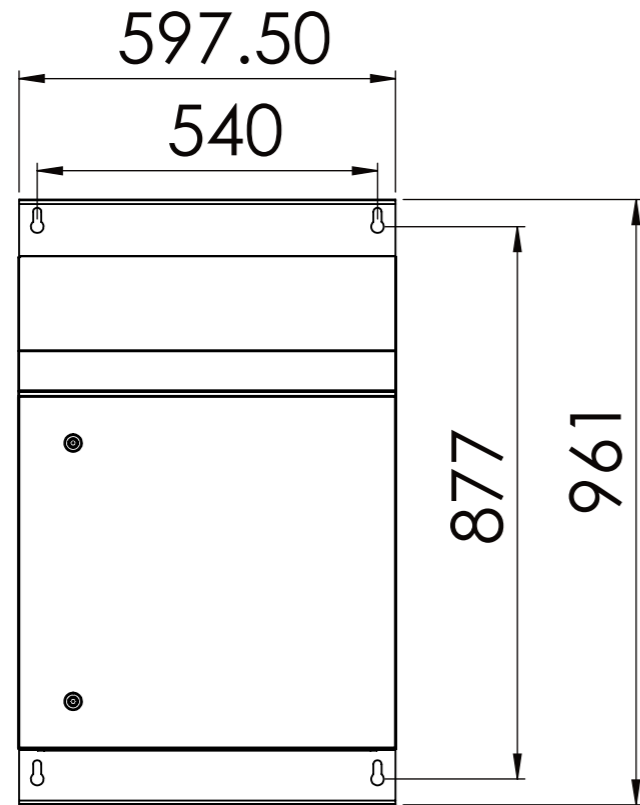
Date Printed	29/07/2019	Date Created	26/07/2019
--------------	-------------------	--------------	-------------------



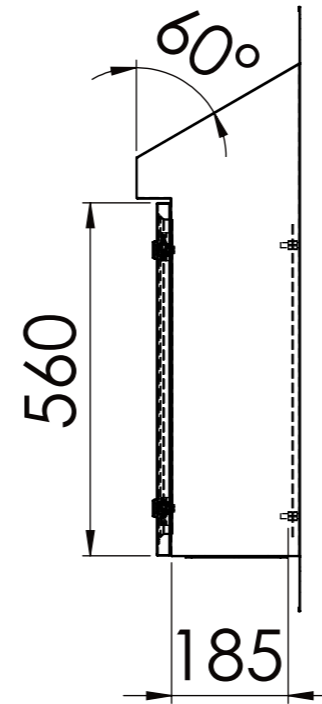
Drawing Status	RELEASED FOR MANUFACTURE	Drawing Type	
----------------	---------------------------------	--------------	--

Checked	Author	Mass
RJS	RJS	

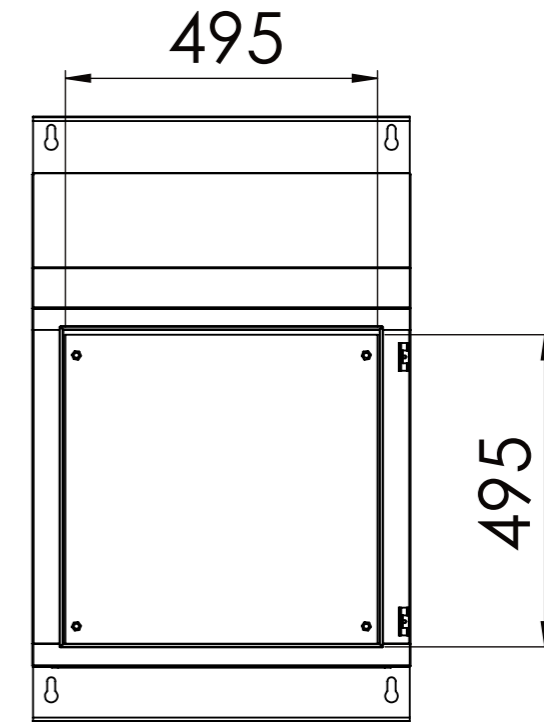
Scale	Sheet No.	Sheet size	Drawing No.	Drg Rev
1:12	1 of 2	A3	MBS6-0402	1A



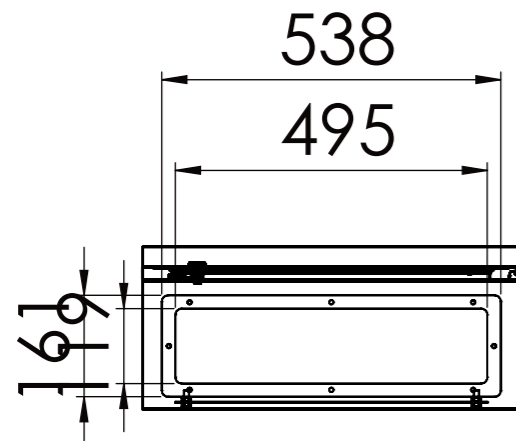
FRONT VIEW



SIDE VIEW

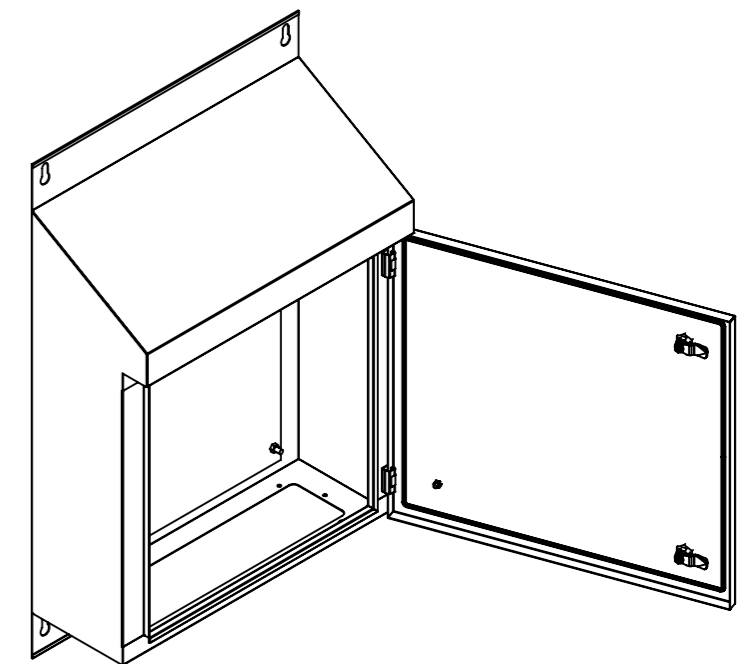


FRONT VIEW
DOOR REMOVED



BOTTOM VIEW

STANDARD ACCESSORIES INCLUDED	
TYPE	QTY
DOOR EARTH STRAP	1
DOUBLE BIT LOCK	2
LOCK DUST COVER	2
STEEL KEY	1
STAINLESS STEEL GLAND PLATE	1
GALVANISED STEEL MOUNTING PAN	1



ISOMETRIC

UNLESS NOTED OTHERWISE:
 1. Dimensions in millimetres.
 2. Deburr and break all sharp edges.
 Linear Dim's ± 0.5 Hole Diameters $^{+0.1}_{-0.05}$
 Angular Dim's $\pm 1^\circ$ All Bends $90^\circ \pm 0.5$



Logix Engineering Pty Ltd
 28 Spine St, Sumner Park,
 QLD, 4074, Australia
 t: +61 434 034 703
 w: www.logixeng.com.au
 e: tony@logixeng.com.au

Component Type **MBS6-6020**
 Finish **N4** Material **SS**

Linear tolerance C
 Angular tolerance C
 Geometry tolerance L

Component / Assembly Description
MBS MINING BOX

Date Printed **29/07/2019** Date Created **26/07/2019**



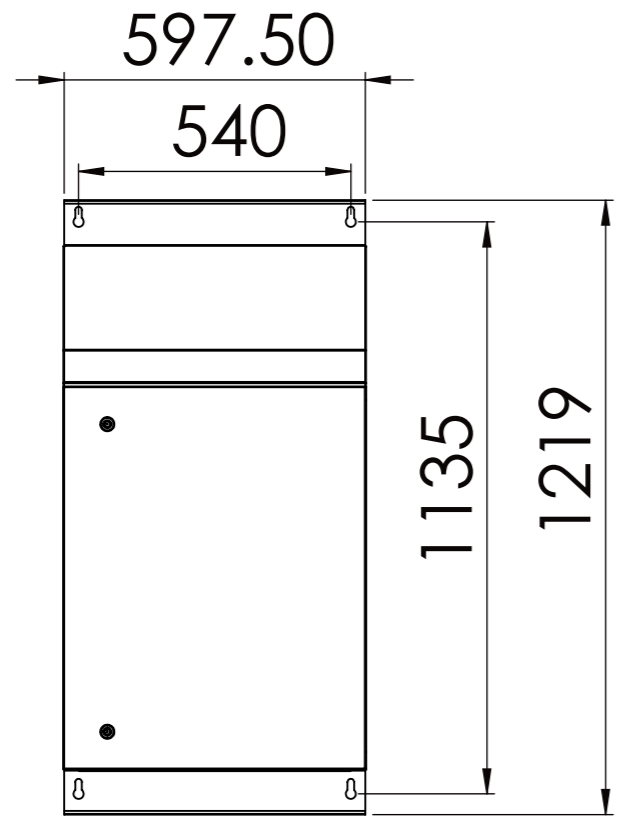
Drawing Status **RELEASED FOR MANUFACTURE**

Drawing Type

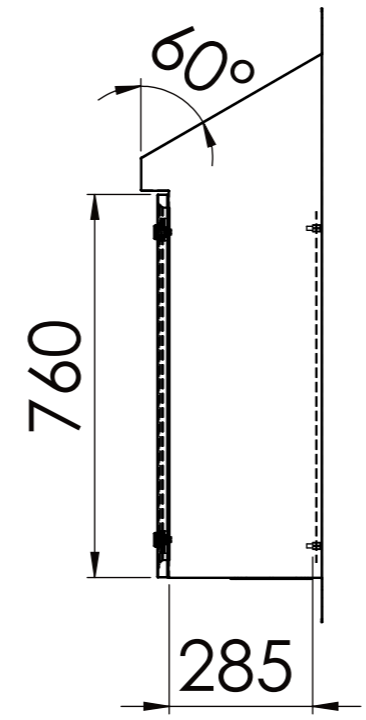
Checked **RJS** Author **RJS** Mass

Scale **1:12** Sheet No. **1 of 2** Sheet size **A3** Drawing No.

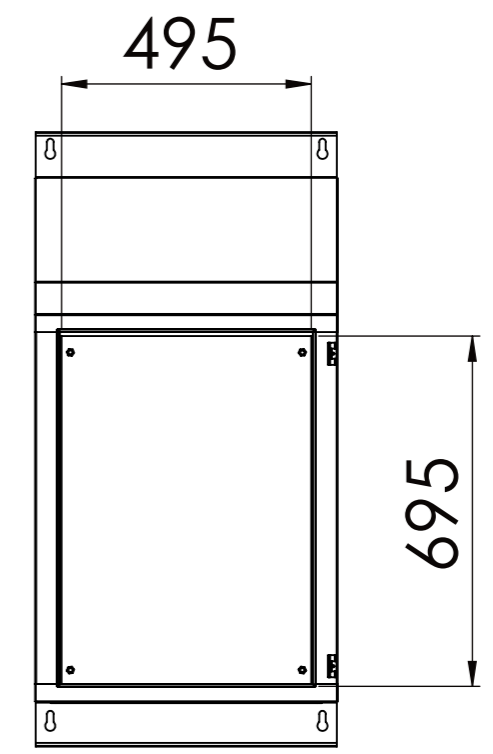
Drg Rev **MBS6-0602 1A**



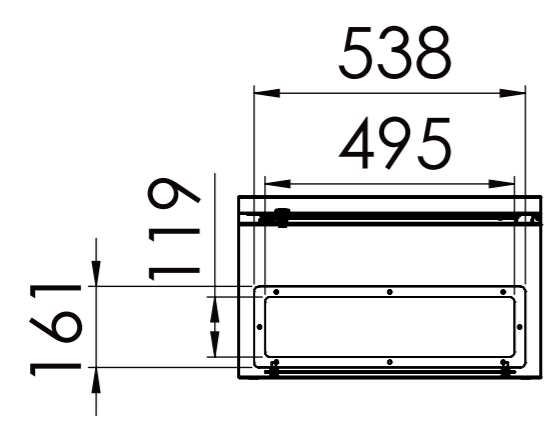
FRONT VIEW



SIDE VIEW

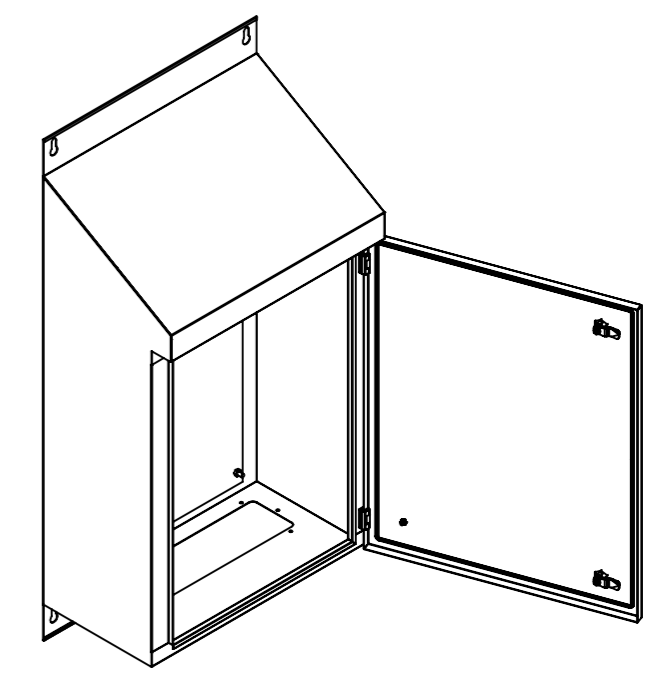


FRONT VIEW
DOOR REMOVED



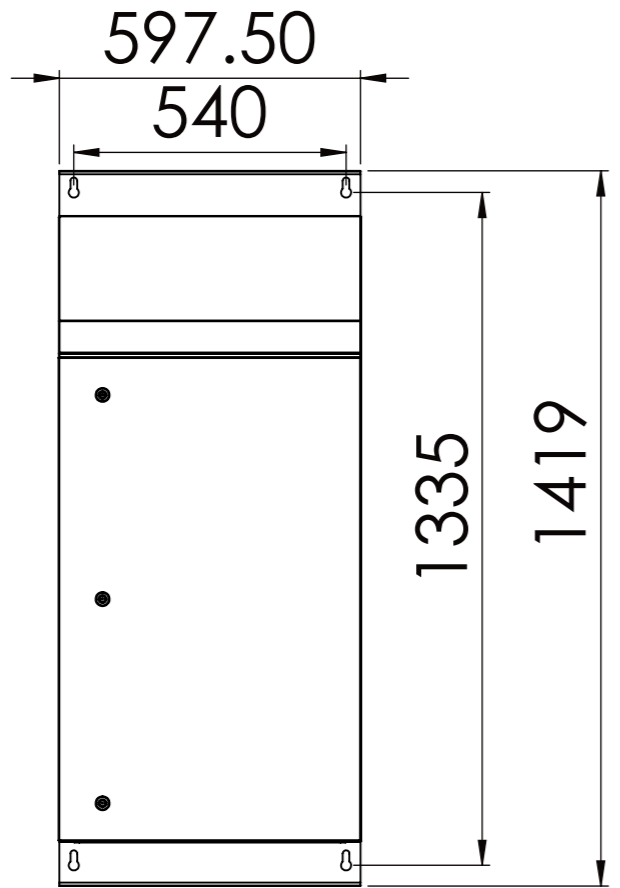
BOTTOM VIEW

STANDARD ACCESSORIES INCLUDED	
TYPE	QTY
DOOR EARTH STRAP	1
DOUBLE BIT LOCK	2
LOCK DUST COVER	2
STEEL KEY	1
STAINLESS STEEL GLAND PLATE	1
GALVANISED STEEL MOUNTING PAN	1

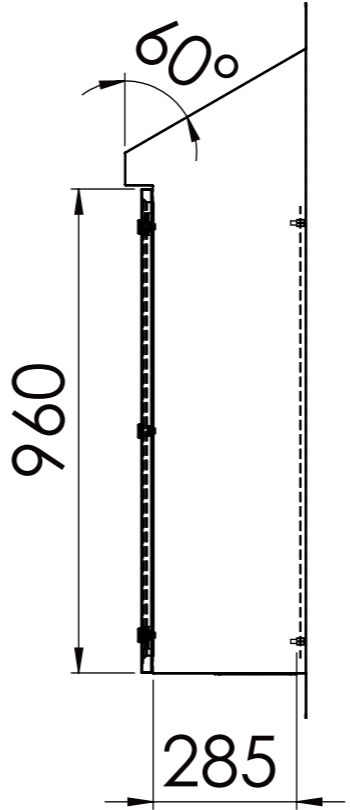


ISOMETRIC

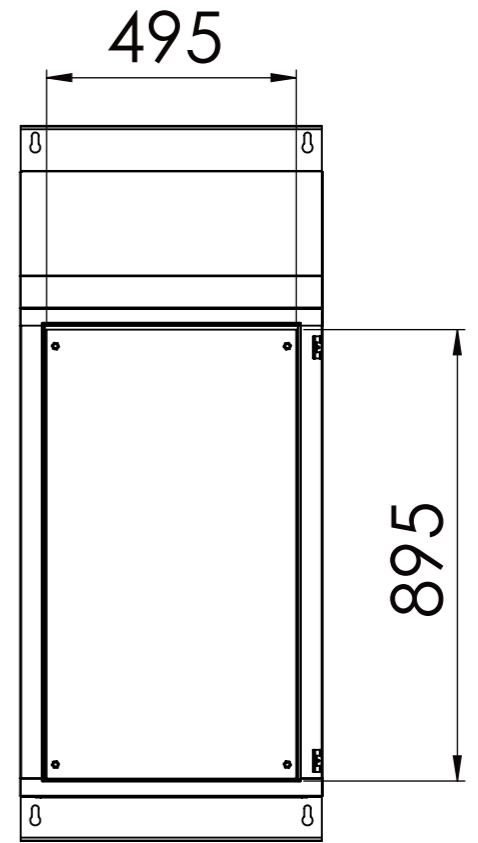
UNLESS NOTED OTHERWISE: 1. Dimensions in millimetres. 2. Deburr and break all sharp edges. Linear Dim's ± 0.5 Hole Diameters $^{+0.1}_{-0.05}$ Angular Dim's $\pm 1^\circ$ All Bends $90^\circ \pm 0.5$		Logix Engineering Pty Ltd 28 Spine St, Sumner Park, QLD, 4074, Australia t: +61 434 034 703 w: www.logixeng.com.au e: tony@logixeng.com.au	Component Type MBS8-6030	
Linear tolerance C Angular tolerance C Geometry tolerance L	Date Printed 29/07/2019 Date Created 26/07/2019		Finish N4 Material SS	Component / Assembly Description MBS MINING BOX
Checked RJS Author RJS Mass		Drawing Status RELEASED FOR MANUFACTURE	Drawing Type	Scale 1:15 Sheet No. 1 of 2 Sheet size A3 Drawing No. MBS8-0603 Drg Rev. 1A



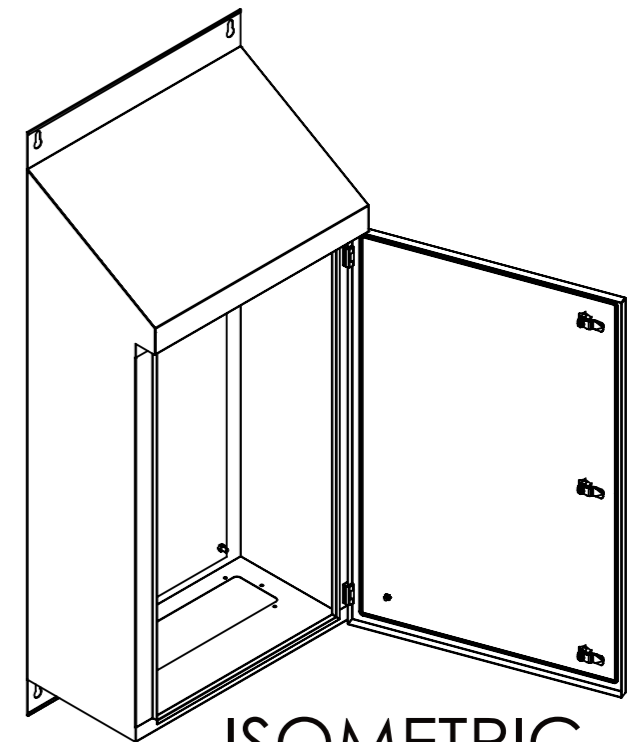
FRONT VIEW



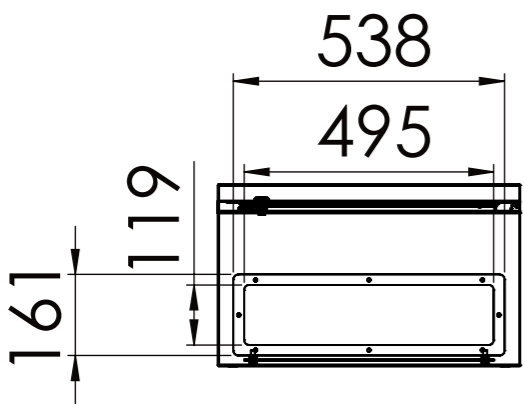
SIDE VIEW



FRONT VIEW
DOOR REMOVED



ISOMETRIC



BOTTOM VIEW

STANDARD ACCESSORIES INCLUDED	
TYPE	QTY
DOOR EARTH STRAP	1
DOUBLE BIT LOCK	3
LOCK DUST COVER	3
STEEL KEY	1
STAINLESS STEEL GLAND PLATE	1
GALVANISED STEEL MOUNTING PAN	1

UNLESS NOTED OTHERWISE:
 1. Dimensions in millimetres.
 2. Deburr and break all sharp edges.
 Linear Dim's ± 0.5 Hole Diameters $^{+0.1}_{-0.05}$
 Angular Dim's $\pm 1^\circ$ All Bends $90^\circ \pm 0.5$

Linear tolerance	C
Angular tolerance	C
Geometry tolerance	L

Date Printed: **29/07/2019** Date Created: **26/07/2019**

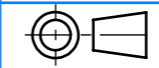
Checked	Author	Mass
RJS	RJS	



Logix Engineering Pty Ltd
 28 Spine St, Sumner Park,
 QLD, 4074, Australia
 t: +61 434 034 703
 w: www.logixeng.com.au
 e: tony@logixeng.com.au

Component / Assembly Description
MBS MINING BOX

Component Type	MBS10-6030
Finish	N4
Material	SS



Scale	1:15	Sheet No.	1 of 2	Sheet size	A3	Drawing No.	MBS10-0603	Drg Rev	1A
Drawing Status							RELEASED FOR MANUFACTURE		
Drawing Type									