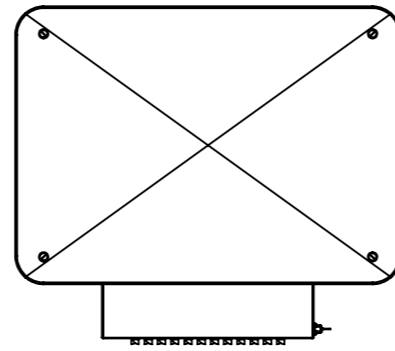
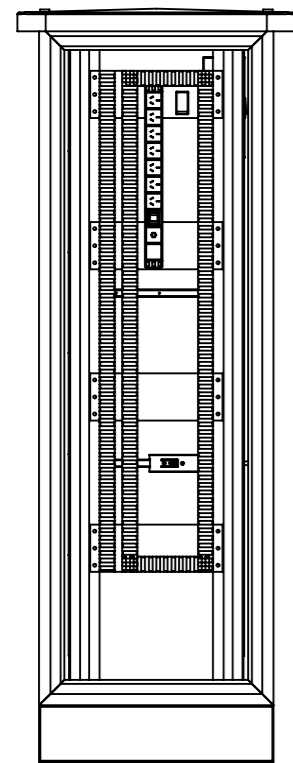


UNLESS NOTED OTHERWISE: 1. Dimensions in millimetres. 2. Deburr and break all sharp edges. Linear Dim's ± 0.5 Hole Diameters $^{+0.1}_{-0.05}$ Angular Dim's $\pm 1^\circ$ All Bends $90^\circ \pm 0.5$				Logix Engineering Pty Ltd 28 Spine St, Sumner Park, QLD, 4074, Australia t: +61 434 034 703 w: www.logixeng.com.au e: tony@logixeng.com.au		Component Type ITC5180906-AC20
Linear tolerance C Angular tolerance C Geometry tolerance L	Component / Assembly Description ITC5180906-AC20			Finish POWDERCOATED T33	Material ALUM 2.5mm	
Date Printed 16/03/2020 Checked RJS	Date Created 12/03/2020 Author RJS	Mass N/A		Drawing Status RELEASED FOR MANUFACTURE		Drawing Type C
Scale 1:20			Sheet No. 1 of 2	Sheet size A3	Drawing No. ITC5180906-AC20	Drg Rev 1A

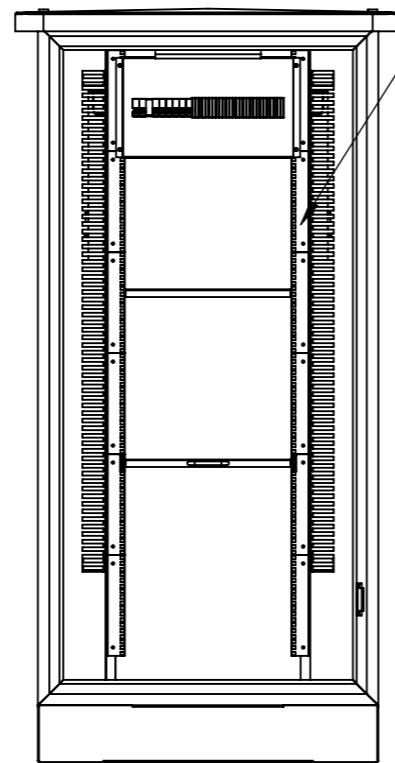


TOP VIEW

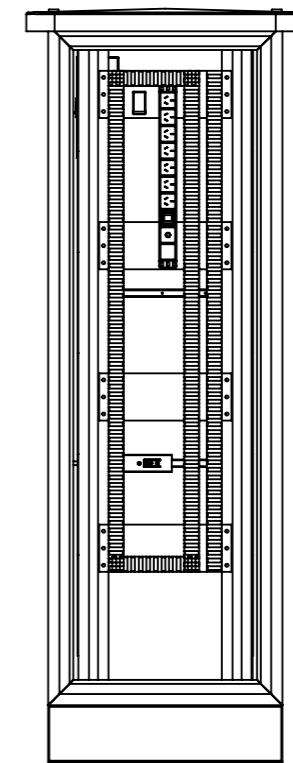
STD 19 AND 21 INCH RACKING



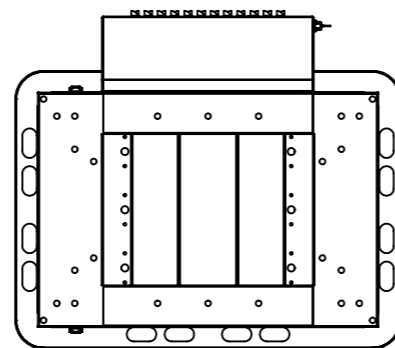
SIDE VIEW



FRONT VIEW



SIDE VIEW



BOTTOM VIEW

UNLESS NOTED OTHERWISE:

1. Dimensions in millimetres.
 2. Deburr and break all sharp edges.
- Linear Dim's ± 0.5 Hole Diameters $^{+0.1}_{-0.05}$
 Angular Dim's $\pm 1^\circ$ All Bends $90^\circ \pm 0.5$



Logix Engineering Pty Ltd
 28 Spine St, Sumner Park,
 QLD, 4074, Australia
 t: +61 434 034 703
 w: www.logixeng.com.au
 e: tony@logixeng.com.au

Component Type
ITCS180906-AC20

Finish **POWDERCOATED T33**

Material **ALUM 2.5mm**

Linear tolerance C
 Angular tolerance C
 Geometry tolerance L

Component / Assembly Description
ITCS180906-AC20

Date Printed **16/03/2020** Date Created **16/03/2020**



Drawing Status **RELEASED FOR MANUFACTURE**

Drawing Type **C**

Checked **RJS** Author **RJS** Mass **N/A**

Scale **1:20** Sheet No. **2 of 2** Sheet size **A3**

Drawing No. **ITCS180906-AC20** Drg Rev **1A**