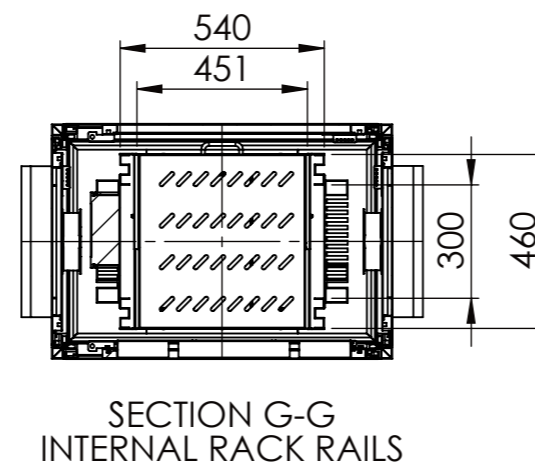
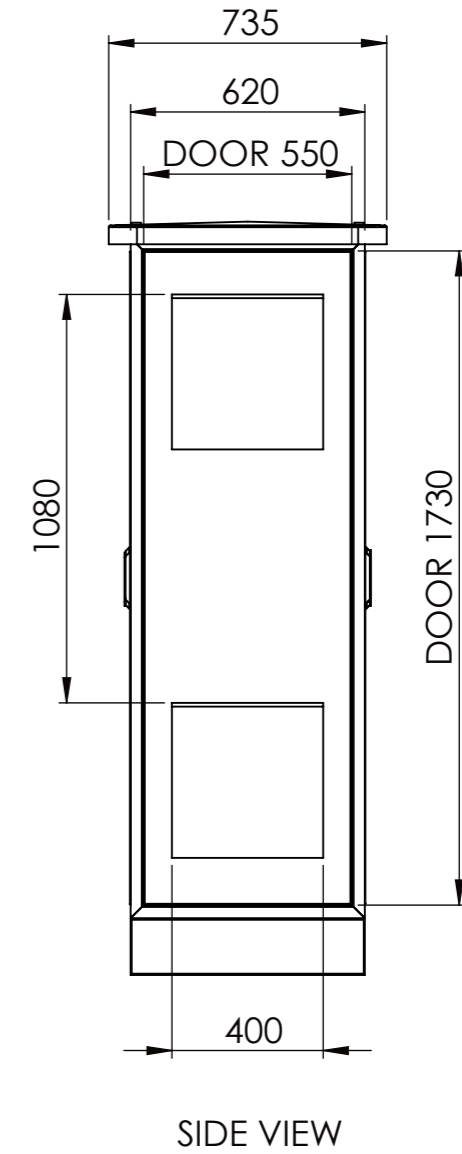
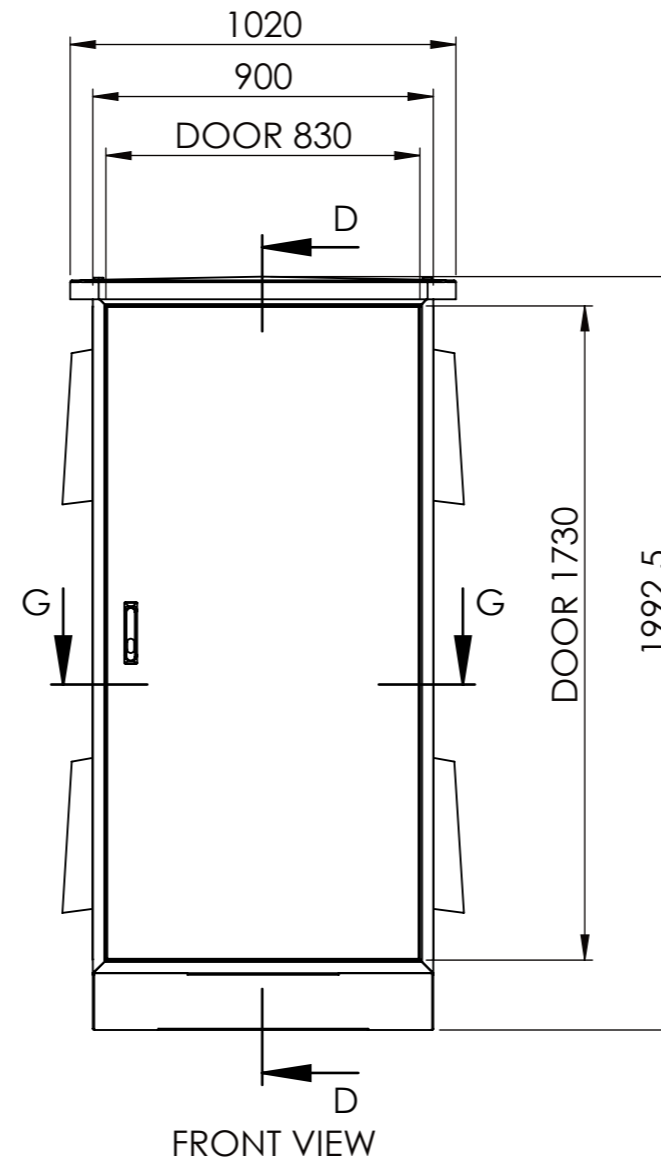
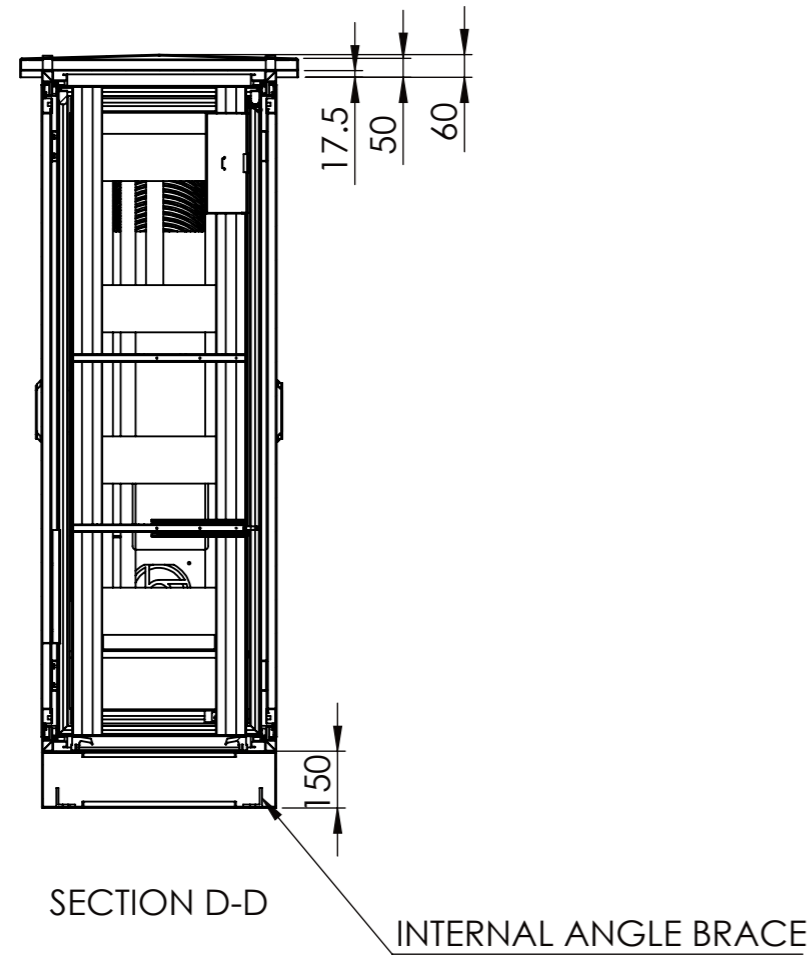


ITEM No	DESCRIPTION	SUPPLIER	PART No	QTY
1	CABINET	LOGIX	ITCS180906	1
2	LOADCENTRE 6U	LOGIX	ITCS-LC-6	1
3	SHELF	LOGIX	ITCS-SHF	1
4	TELESCOPIC SHELF	LOGIX	ITCS-SHT	1
5	MOUNTING BLOCK	CLIPSAL	449AGR	3
6	DOOR LOCKS	LOCK FOCUS	1154-U2	2
7	ENCLOSURE OPAQUE LID	B&R	PJ302207	1
8	FILTER	LEIPOLE	7727-300	2

<p>UNLESS NOTED OTHERWISE:                  1. Dimensions in millimetres.                  2. Deburr and break all sharp edges.                  Linear Dim's <math>\pm 0.5</math> Hole Diameters <math>^{+0.1}_{-0.05}</math>                  Angular Dim's <math>\pm 1^{\circ}</math> All Bends <math>90^{\circ} \pm 0.5</math></p>		<p><b>LOGIX</b> ENGINEERING                  Logix Engineering Pty Ltd                  28 Spine St, Sumner Park,                  QLD, 4074, Australia                  t: +61 434 034 703                  w: www.logixeng.com.au                  e: tony@logixeng.com.au</p>	Component Type <b>ITCS-ASSEMBLY</b>
Linear tolerance C Angular tolerance C Geometry tolerance L			Finish <b>POWDERCOATED</b> Material <b>ALUMINIUM</b> <b>2.5mm</b>
Date Printed <b>6/09/2020</b> Date Created <b>29/10/2019</b>		Component / Assembly Description <b>TMR-ITCS-180906 ASSEMBLY</b>	
Checked <b>RJS</b> Author <b>RJS</b> Mass <b>N/A</b>	Drawing Status <b>RELEASED FOR MANUFACTURE</b>		Drawing Type <b>A</b>
Scale <b>1:20</b> Sheet No. <b>1 of 6</b> Sheet size <b>A3</b>		Drawing No. <b>TMR-ITCS-180906</b> Drg Rev <b>2A</b>	



UNLESS NOTED OTHERWISE:  
 1. Dimensions in millimetres.  
 2. Deburr and break all sharp edges.  
 Linear Dim's  $\pm 0.5$  Hole Diameters  $^{+0.1}_{-0.05}$   
 Angular Dim's  $\pm 1^\circ$  All Bends  $90^\circ \pm 0.5$



Logix Engineering Pty Ltd  
 28 Spine St, Sumner Park,  
 QLD, 4074, Australia  
 t: +61 434 034 703  
 w: www.logixeng.com.au  
 e: tony@logixeng.com.au

Component Type  
**ITCS-ASSEMBLY**  
 Finish **POWDERCOATED** Material **ALUMINIUM**  
**2.5mm**

Linear tolerance C  
 Angular tolerance C  
 Geometry tolerance L

Component / Assembly Description  
**TMR-ITCS-180906 ASSEMBLY**

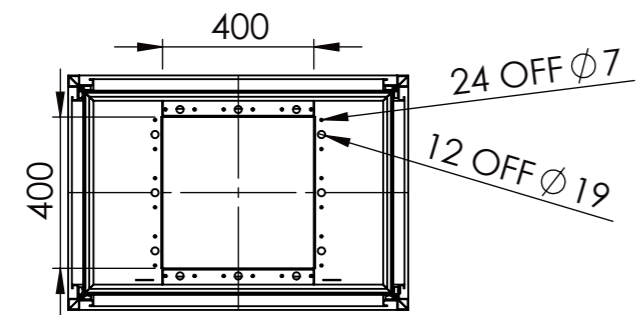
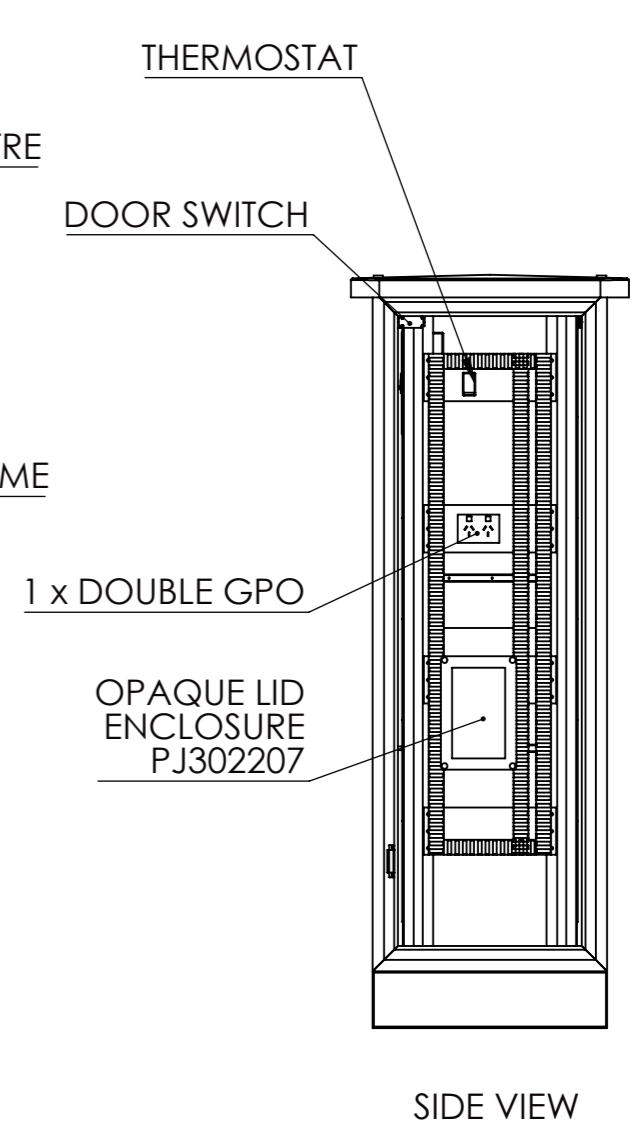
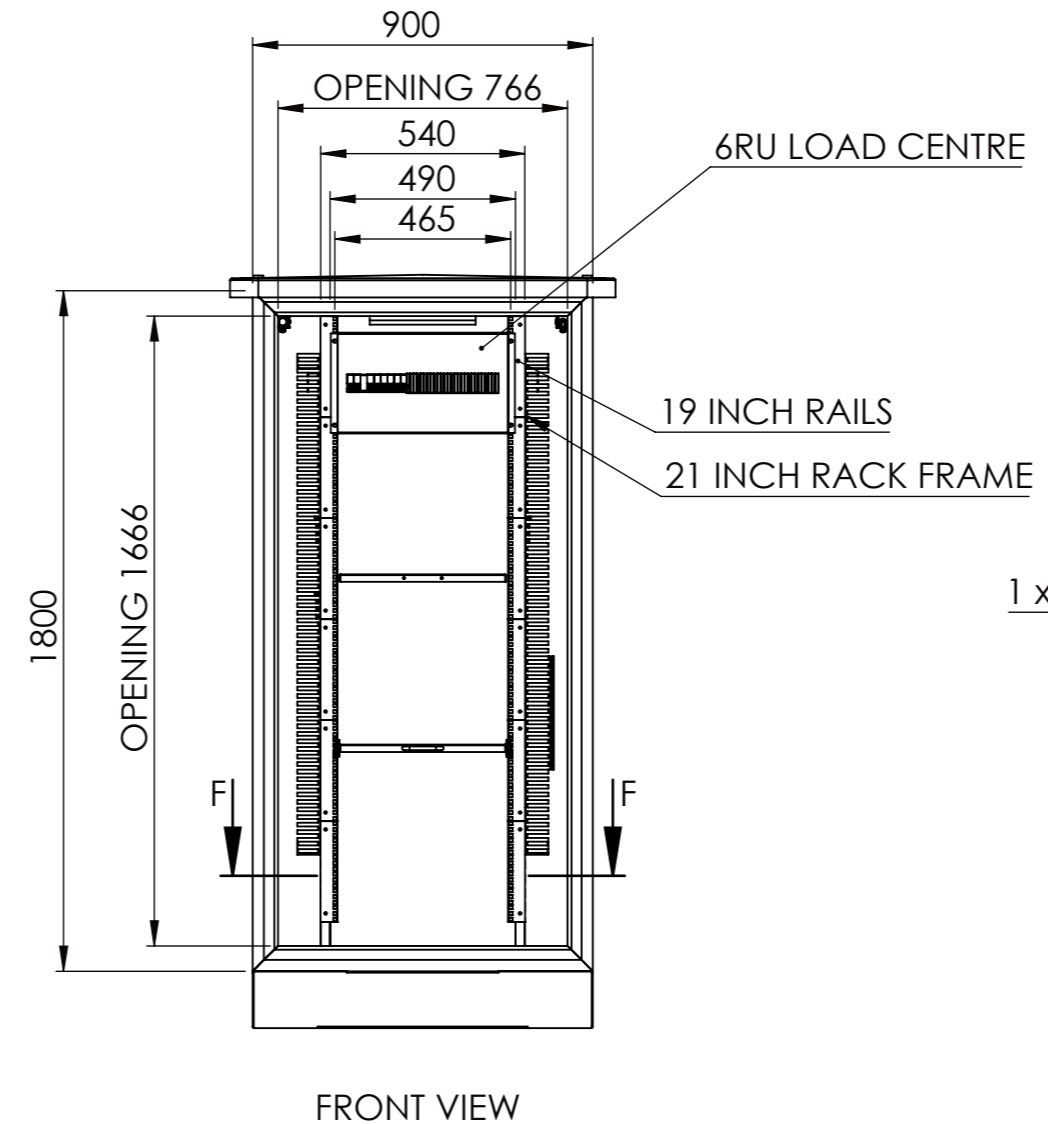
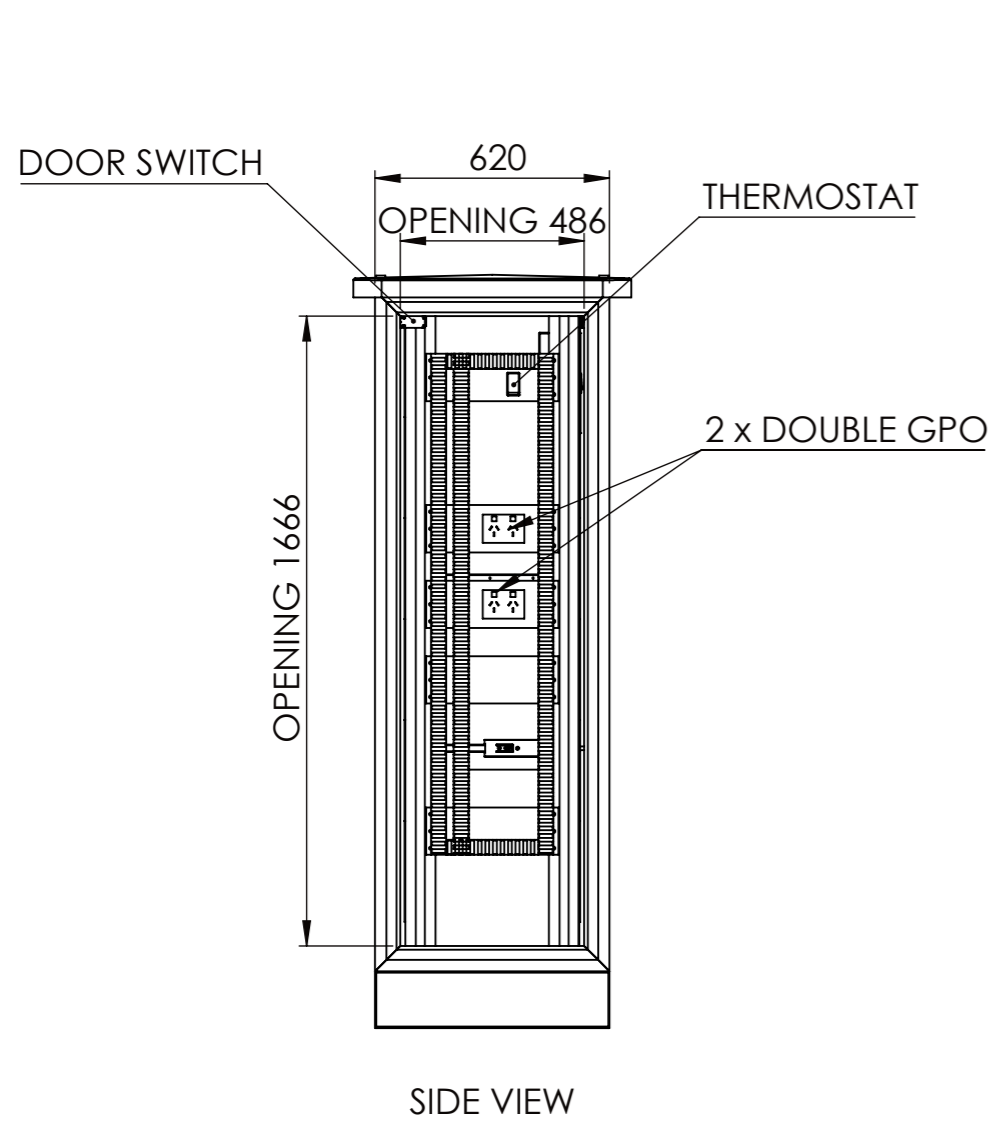
Date Printed **6/09/2020** Date Created **29/10/2019**



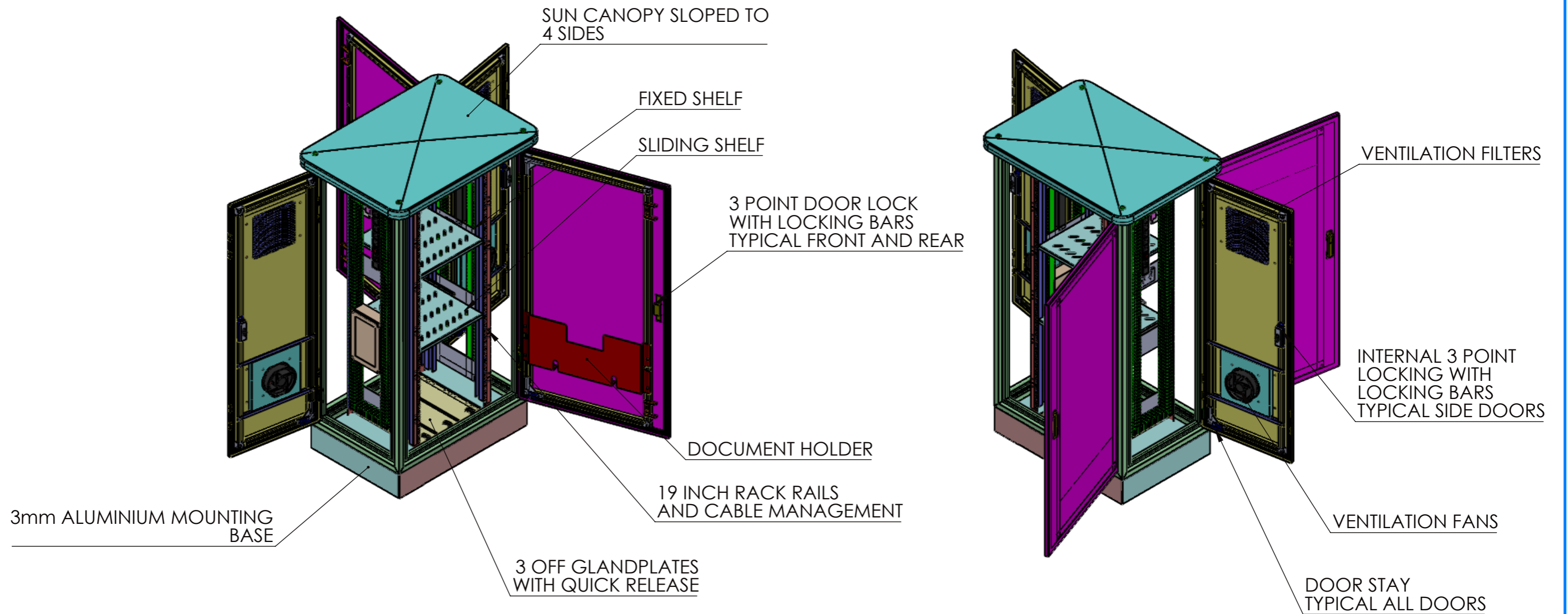
Drawing Status **RELEASED FOR MANUFACTURE** Drawing Type **A**

Checked **RJS** Author **RJS** Mass **N/A**

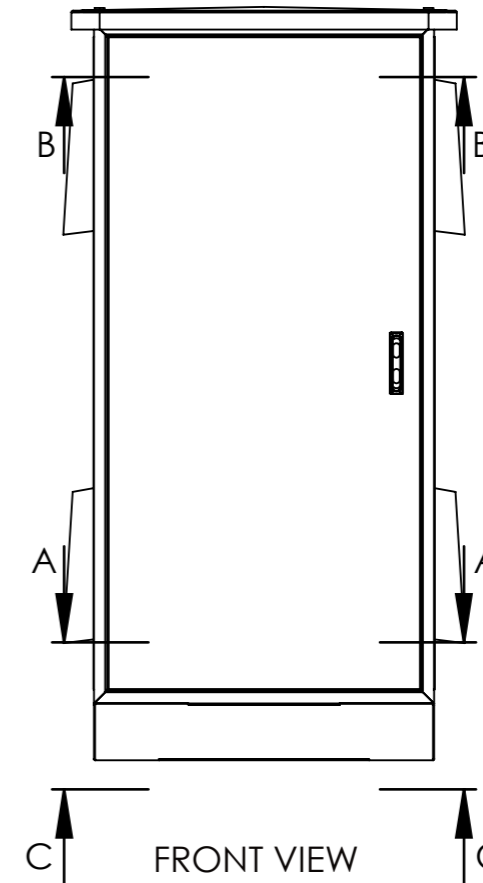
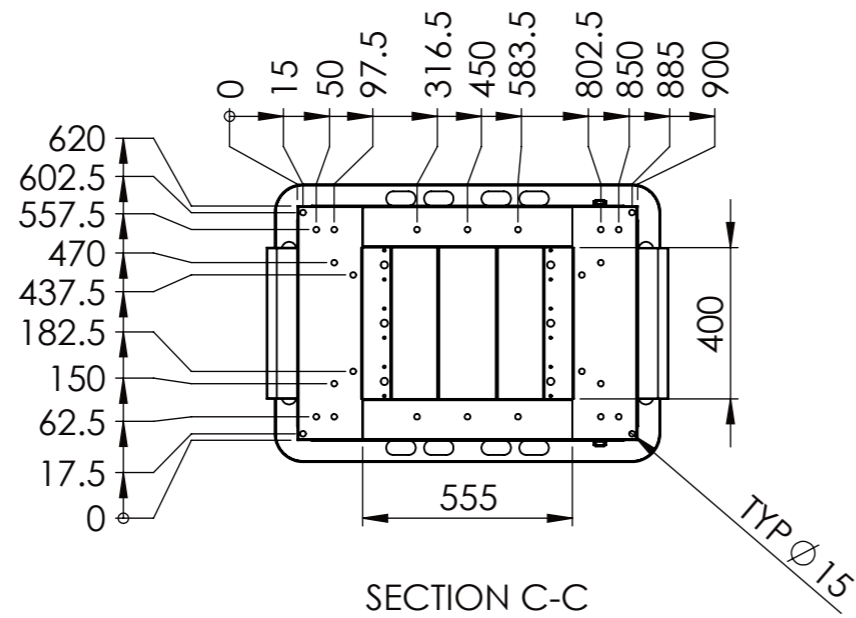
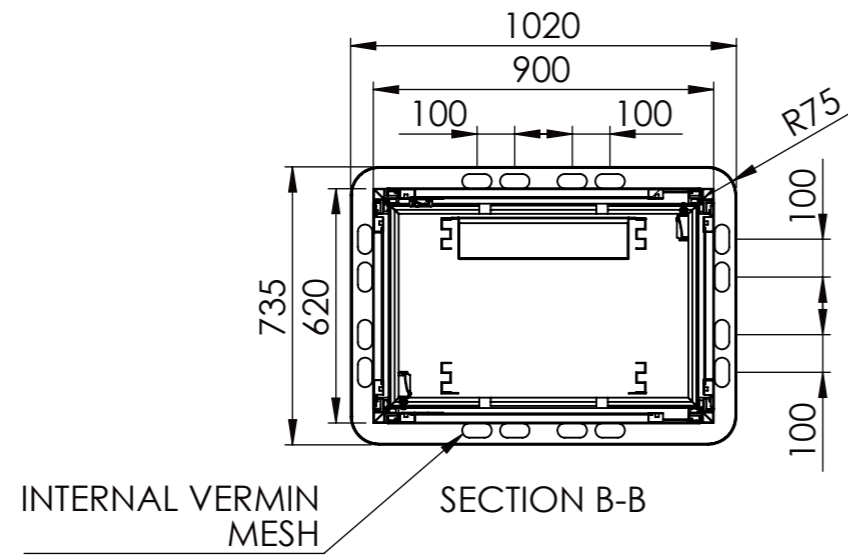
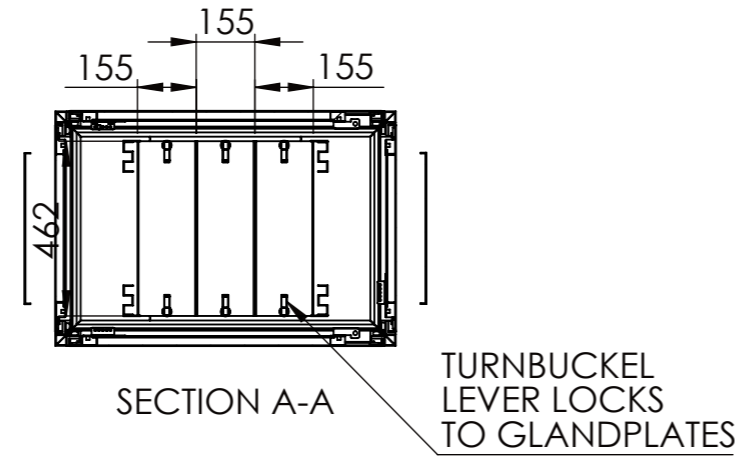
Scale **1:20** Sheet No. **2 of 6** Sheet size **A3** Drawing No. **TMR-ITCS-180906** Drg Rev **2A**



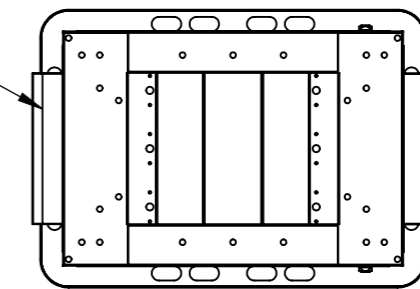
<b>UNLESS NOTED OTHERWISE:</b> 1. Dimensions in millimetres. 2. Deburr and break all sharp edges. Linear Dim's $\pm 0.5$ Hole Diameters $^{+0.1}_{-0.05}$ Angular Dim's $\pm 1^\circ$ All Bends $90^\circ \pm 0.5$		 Logix Engineering Pty Ltd 28 Spine St, Sumner Park, QLD, 4074, Australia t: +61 434 034 703 w: www.logixeng.com.au e: tony@logixeng.com.au	Component Type <b>ITCS-ASSEMBLY</b>
Linear tolerance C Angular tolerance C Geometry tolerance L	Finish <b>POWDERCOATED</b> Material <b>ALUMINIUM</b> <b>2.5mm</b>		
Date Printed <b>6/09/2020</b> Date Created <b>29/10/2019</b>		Component / Assembly Description <b>TMR-ITCS-180906 ASSEMBLY</b>	
Checked <b>RJS</b> Author <b>RJS</b> Mass <b>N/A</b>		Drawing Status <b>RELEASED FOR MANUFACTURE</b>	Drawing Type <b>A</b>
Scale <b>1:20</b> Sheet No. <b>3 of 6</b> Sheet size <b>A3</b>		Drawing No. <b>TMR-ITCS-180906</b> Drg Rev <b>2A</b>	



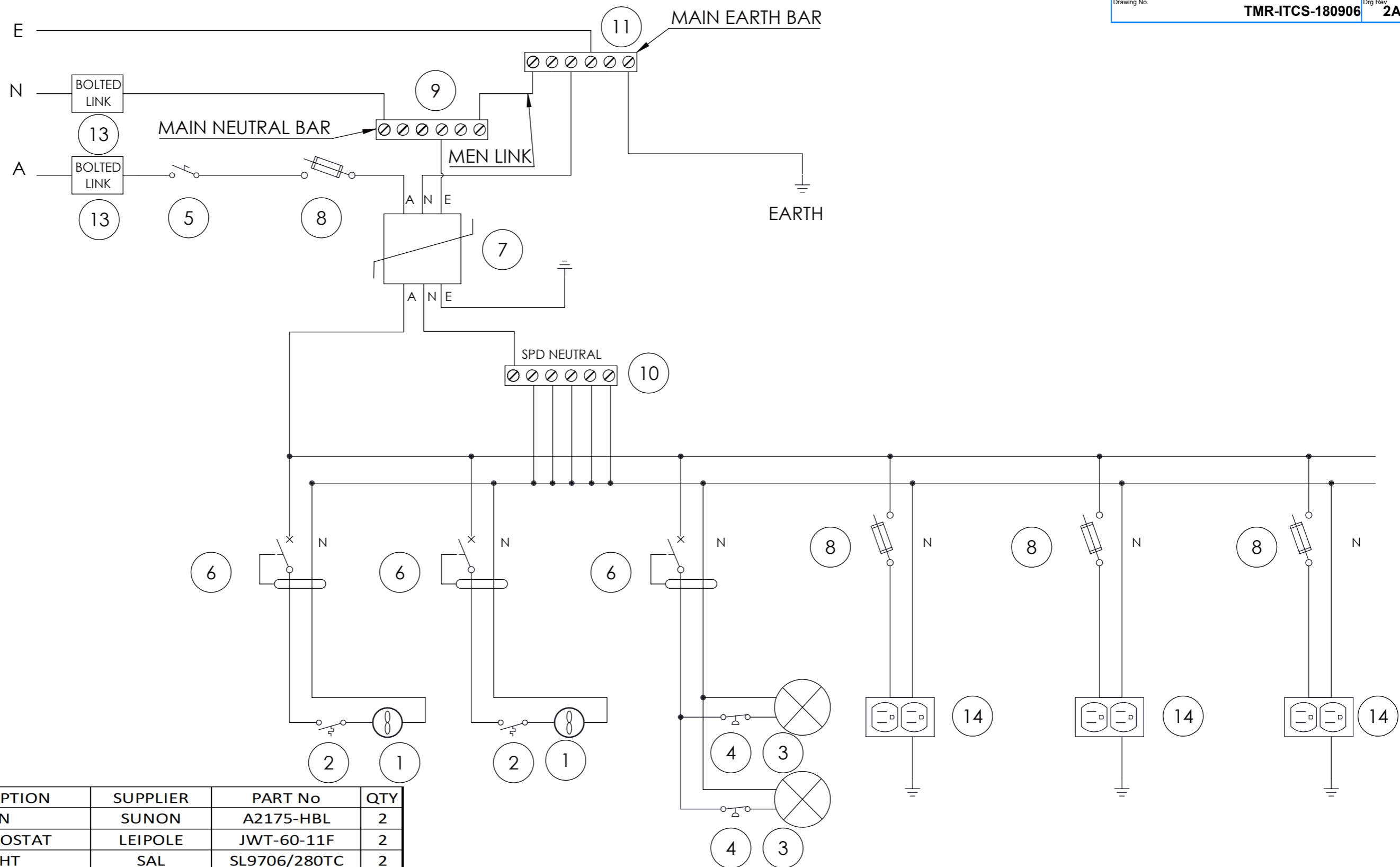
<b>UNLESS NOTED OTHERWISE:</b> 1. Dimensions in millimetres. 2. Deburr and break all sharp edges.			Logix Engineering Pty Ltd 28 Spine St, Sumner Park, QLD, 4074, Australia t: +61 434 034 703 w: www.logixeng.com.au e: tony@logixeng.com.au		Component Type <b>ITCS-ASSEMBLY</b>
Linear Dim's $\pm 0.5$ Angular Dim's $\pm 1^\circ$	Hole Diameters $^{+0.1}_{-0.05}$ All Bends $90^\circ \pm 0.5$		Finish <b>POWDERCOATED</b>	Material <b>ALUMINIUM</b> <b>2.5mm</b>	Component / Assembly Description <b>TMR-ITCS-180906 ASSEMBLY</b>
Linear tolerance C Angular tolerance C Geometry tolerance L	Date Printed <b>6/09/2020</b>	Date Created <b>29/10/2019</b>	Drawing Status <b>RELEASED FOR MANUFACTURE</b>		Drawing Type <b>A</b>
Checked <b>RJS</b>	Author <b>RJS</b>	Mass <b>N/A</b>	Scale <b>1:20</b>	Sheet No. <b>4 of 6</b>	Sheet size <b>A3</b>
			Drawing No. <b>TMR-ITCS-180906</b>	Drg Rev <b>2A</b>	



VERMIN MESH TO UNDERSIDE OF ALL VENT COVERS



<b>UNLESS NOTED OTHERWISE:</b> 1. Dimensions in millimetres. 2. Deburr and break all sharp edges.			Logix Engineering Pty Ltd 28 Spine St, Sumner Park, QLD, 4074, Australia t: +61 434 034 703 w: www.logixeng.com.au e: tony@logixeng.com.au	Component Type <b>ITCS-ASSEMBLY</b>	
Linear Dim's $\pm 0.5$ Angular Dim's $\pm 1^\circ$	Hole Diameters $^{+0.1}_{-0.05}$ All Bends $90^\circ \pm 0.5$	Finish <b>POWDERCOATED</b>		Material <b>ALUMINIUM 2.5mm</b>	
Linear tolerance C Angular tolerance C Geometry tolerance L	Component / Assembly Description <b>TMR-ITCS-180906 ASSEMBLY</b>				
Date Printed <b>6/09/2020</b>	Date Created <b>29/10/2019</b>	Drawing Status <b>RELEASED FOR MANUFACTURE</b>			Drawing Type <b>A</b>
Checked <b>RJS</b>	Author <b>RJS</b>	Mass <b>N/A</b>	Scale <b>1:20</b>	Sheet No. <b>5 of 6</b>	Sheet size <b>A3</b>
			Drawing No. <b>TMR-ITCS-180906</b>		Drg Rev <b>2A</b>



ITEM No	DESCRIPTION	SUPPLIER	PART No	QTY
1	FAN	SUNON	A2175-HBL	2
2	THERMOSTAT	LEIPOLE	JWT-60-11F	2
3	LIGHT	SAL	SL9706/280TC	2
4	DOOR SWITCH	SCHNEIDER	XCK	2
5	MAIN SWITCH	SCHNEIDER	A9S66163	1
6	6A RCBO	SCHNEIDER	A9D61806	3
7	SURGE FILTER	NOVARIS	SFD1-20-50-275A	1
8	1P HRC FUSE	LEGRAND	O5808	5
9	NEUTRAL MAIN	NETEC	SPB-170323	1
10	NEUTRAL PROTECTED	NETEC	NE32F012X	1
11	EARTH	NETEC	NE32F012X	1
12	NEUTRAL FEET	NETEC	INSF	4
13	MAINS TERMINAL	WEIDMULLET	WFF70	2
14	RCD GPO	CLIPSAL	2025RCD30WE	3

UNLESS NOTED OTHERWISE:  
 1. Dimensions in millimetres.  
 2. Deburr and break all sharp edges.  
 Linear Dim's  $\pm 0.5$  Hole Diameters  $^{+0.1}_{-0.05}$   
 Angular Dim's  $\pm 1^\circ$  All Bends  $90^\circ \pm 0.5$

Checked: **RJS** Author: **RJS** Mass: **N/A**

**LOGIX ENGINEERING**  
 Logix Engineering Pty Ltd  
 28 Spine St, Sumner Park,  
 QLD, 4074, Australia  
 t: +61 434 034 703  
 w: www.logixeng.com.au  
 e: tony@logixeng.com.au

Component / Assembly Description  
**TMR-ITCS-180906 ASSEMBLY**

AS1100

Component Type  
**ITCS-ASSEMBLY**

Finish **POWDERCOATED** Material **ALUMINIUM**  
**2.5mm**

Drawing Status  
**RELEASED FOR MANUFACTURE**

Drawing No. **TMR-ITCS-180906** Drg Rev. **2A**

Scale: **1:10** Sheet No. **6 of 6** Sheet size **A3** Drawing Type **A**