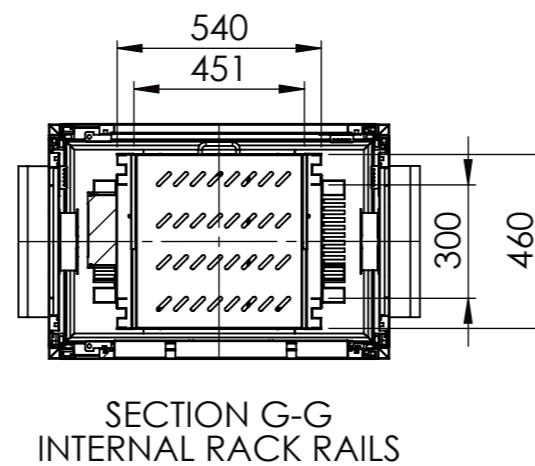
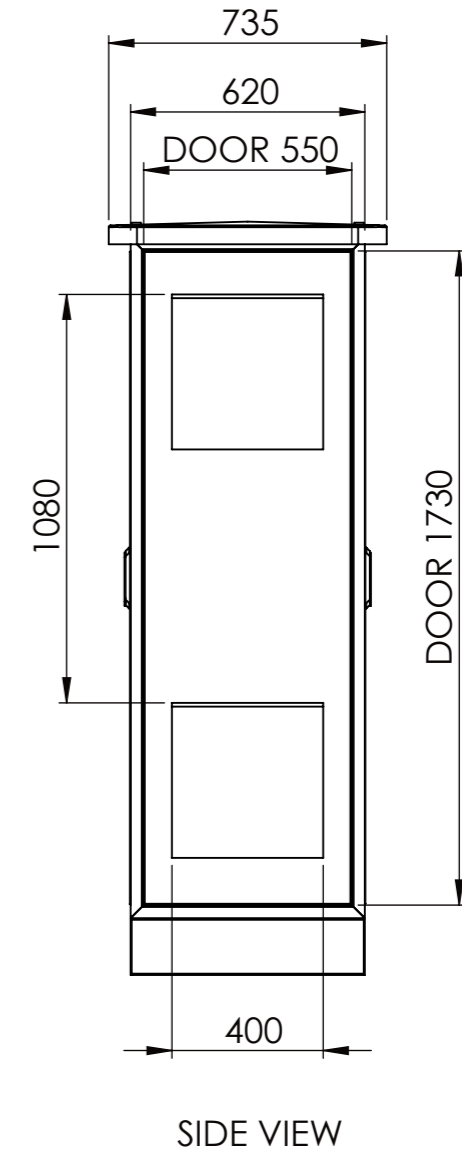
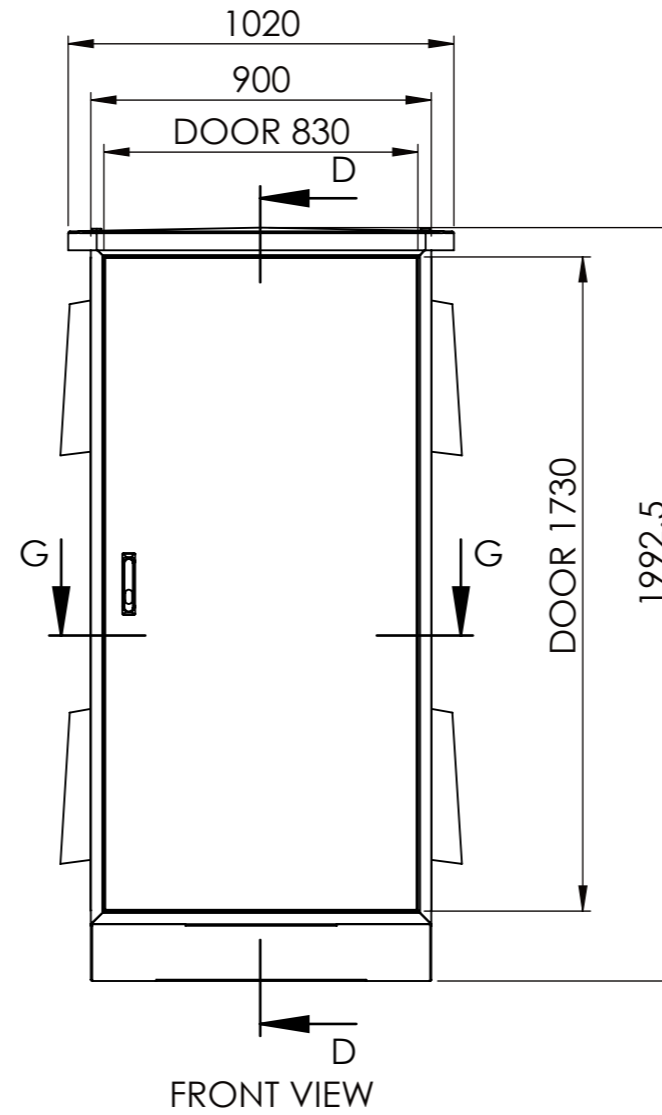
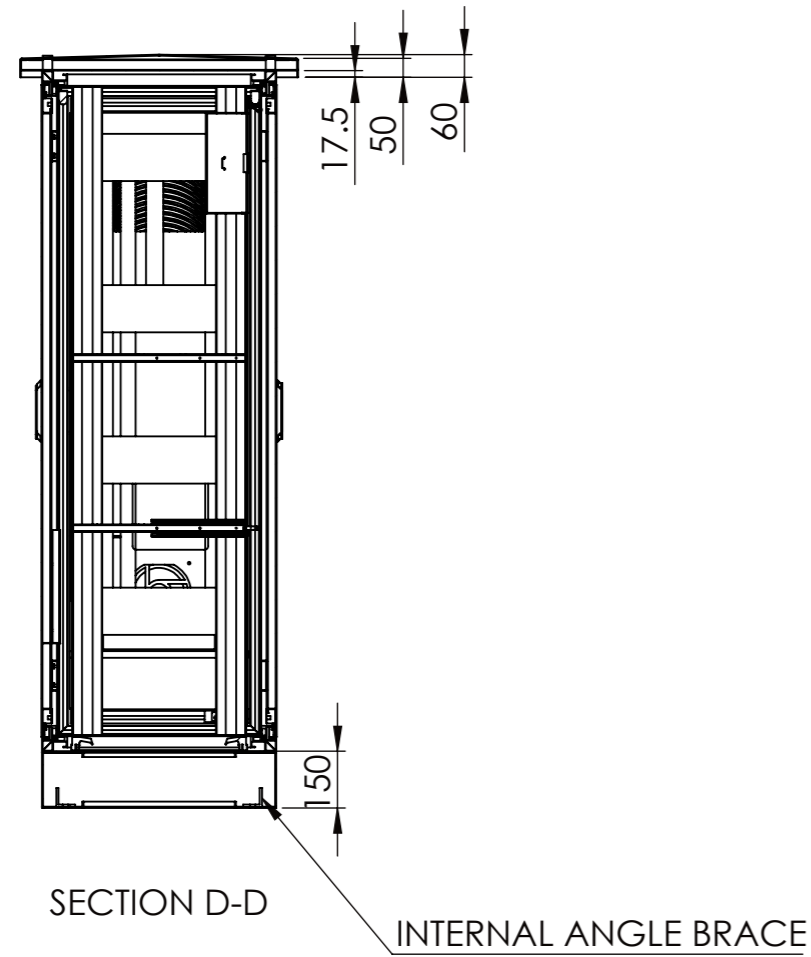


EXPLODED VIEW

ITEM No	DESCRIPTION	SUPPLIER	PART No	QTY
1	CABINET	LOGIX	ITCS180906	1
2	LOADCENTRE 6U	LOGIX	ITCS-LC-6	1
3	SHELF	LOGIX	ITCS-SHF	1
4	TELESCOPIC SHELF	LOGIX	ITCS-SHT	1
5	FAN	SUNON	A2175-HBL	2
6	FILTER	LEIPOLE	7727-300	2

<b>UNLESS NOTED OTHERWISE:</b> 1. Dimensions in millimetres. 2. Deburr and break all sharp edges. Linear Dim's $\pm 0.5$ Hole Diameters $^{+0.1}_{-0.05}$ Angular Dim's $\pm 1^{\circ}$ All Bends $90^{\circ} \pm 0.5$		Logix Engineering Pty Ltd 28 Spine St, Sumner Park, QLD, 4074, Australia t: +61 434 034 703 w: www.logixeng.com.au e: tony@logixeng.com.au	Component Type <b>ITCS-ASSEMBLY</b>
Linear tolerance C Angular tolerance C Geometry tolerance L	Finish <b>POWDERCOATED</b> Material <b>ALUMINIUM</b> <b>2.5mm</b>		
Date Printed <b>30/10/2020</b> Date Created <b>29/10/2019</b>		Component / Assembly Description <b>DPTI-ITCS-180906-ASSEMBLY</b>	
Checked <b>RJS</b> Author <b>RJS</b> Mass <b>N/A</b>		Drawing Status <b>RELEASED FOR MANUFACTURE</b>	Drawing Type <b>A</b>
Scale <b>1:20</b> Sheet No. <b>1 of 6</b> Sheet size <b>A3</b>		Drawing No. <b>DPTI-ITCS-180906</b>	Drg Rev <b>2A</b>



UNLESS NOTED OTHERWISE:  
 1. Dimensions in millimetres.  
 2. Deburr and break all sharp edges.

Linear Dim's $\pm 0.5$	Hole Diameters $^{+0.1}_{-0.05}$
Angular Dim's $\pm 1^\circ$	All Bends $90^\circ \pm 0.5$

Linear tolerance	C
Angular tolerance	C
Geometry tolerance	L

Date Printed	Date Created
30/10/2020	29/10/2019

Checked	Author	Mass
RJS	RJS	N/A

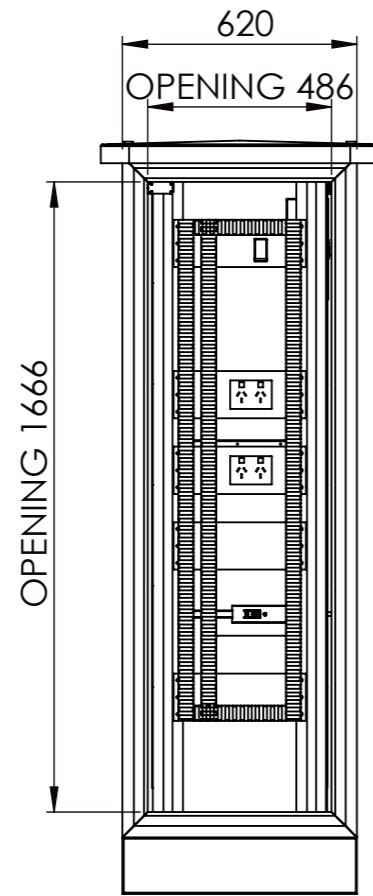
**LOGIX ENGINEERING**

Logix Engineering Pty Ltd  
 28 Spine St, Sumner Park,  
 QLD, 4074, Australia  
 t: +61 434 034 703  
 w: www.logixeng.com.au  
 e: tony@logixeng.com.au

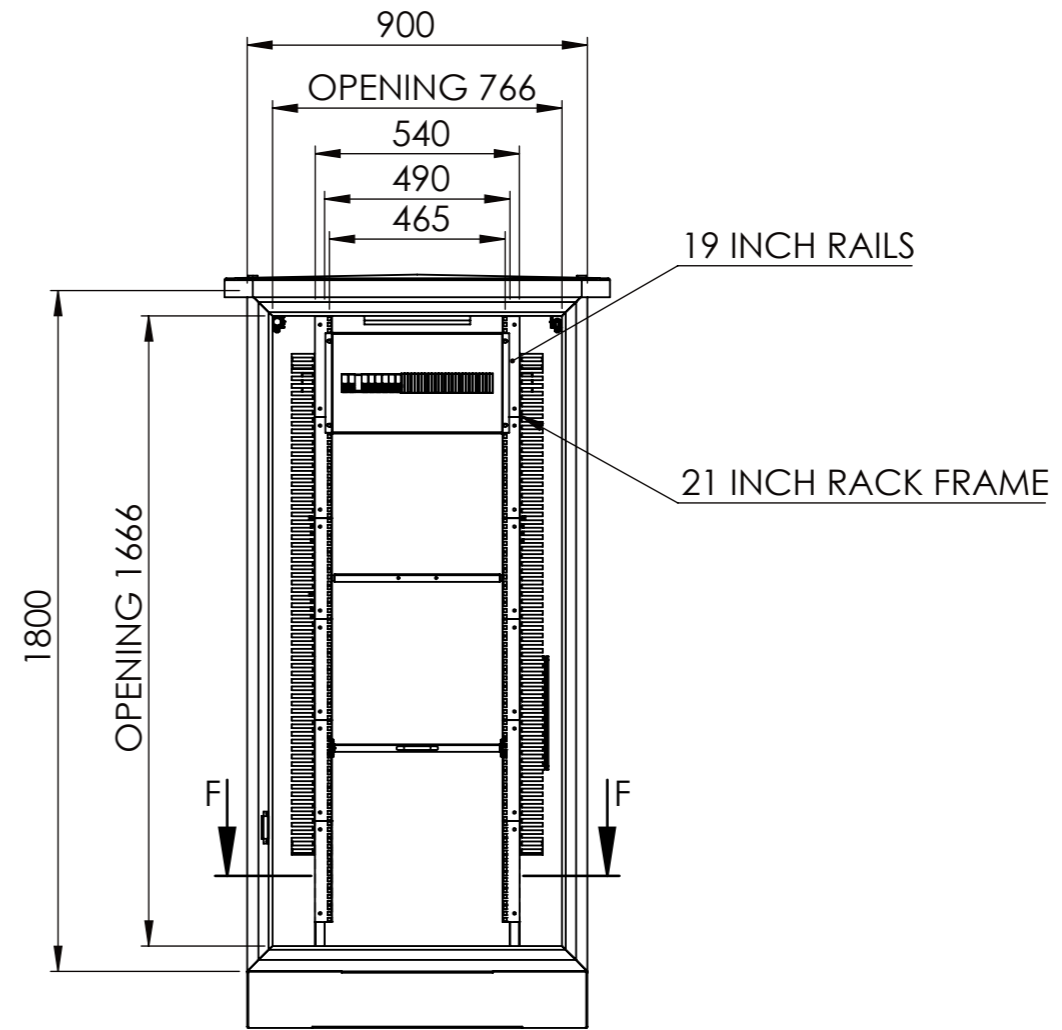
Component / Assembly Description  
**DPTI-ITCS-180906 ASSEMBLY**

AS1100

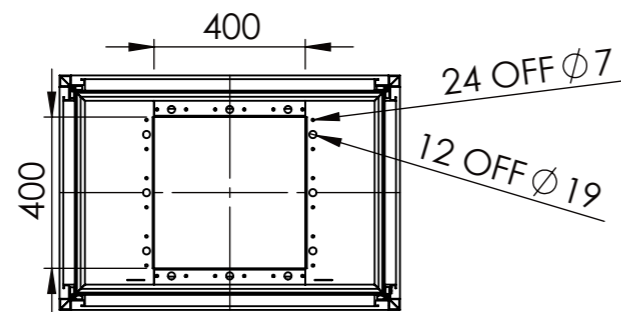
Component Type	<b>ITCS-ASSEMBLY</b>	
Finish	POWDERCOATED	Material ALUMINIUM 2.5mm
Drawing Status	<b>RELEASED FOR MANUFACTURE</b>	
Scale	Sheet No.	Sheet size
1:20	2 of 6	A3
Drawing No.	DPTI-ITCS-180906	
Drawing Type	<b>A</b>	
Drg Rev	<b>2A</b>	



SIDE VIEW

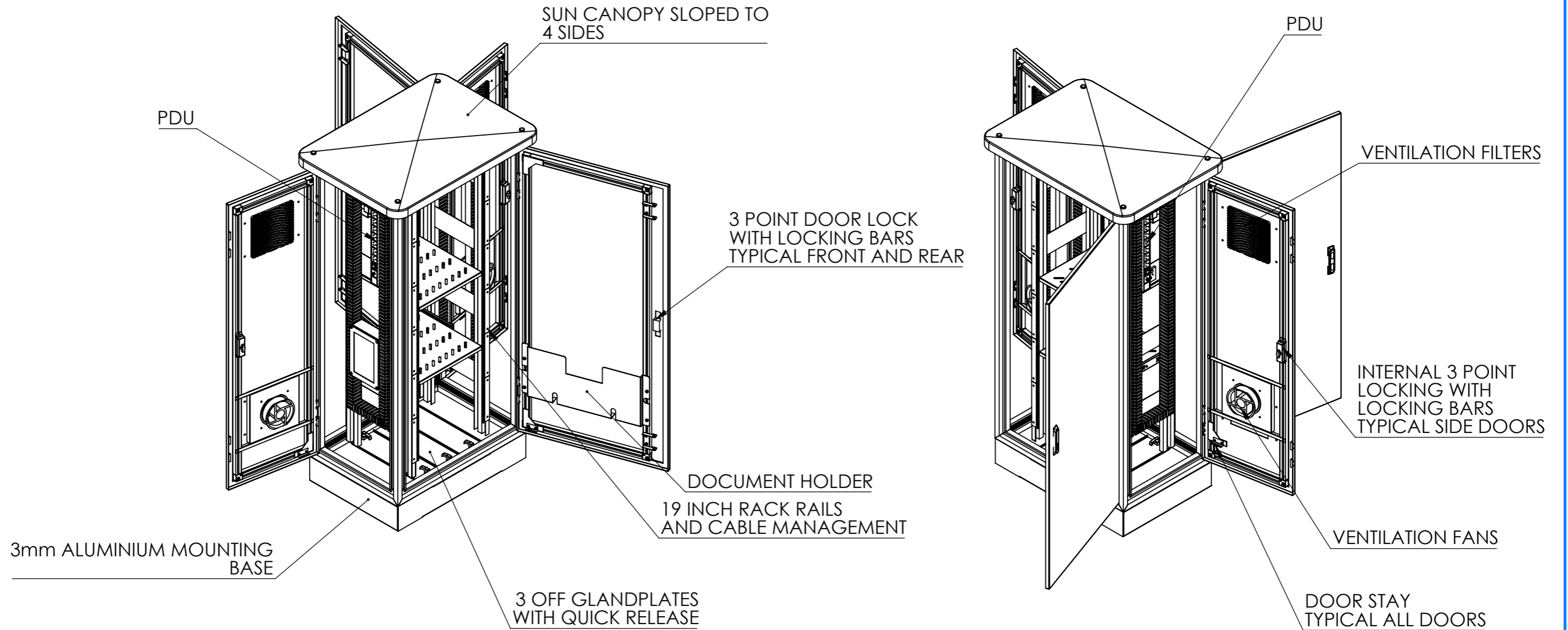


FRONT VIEW

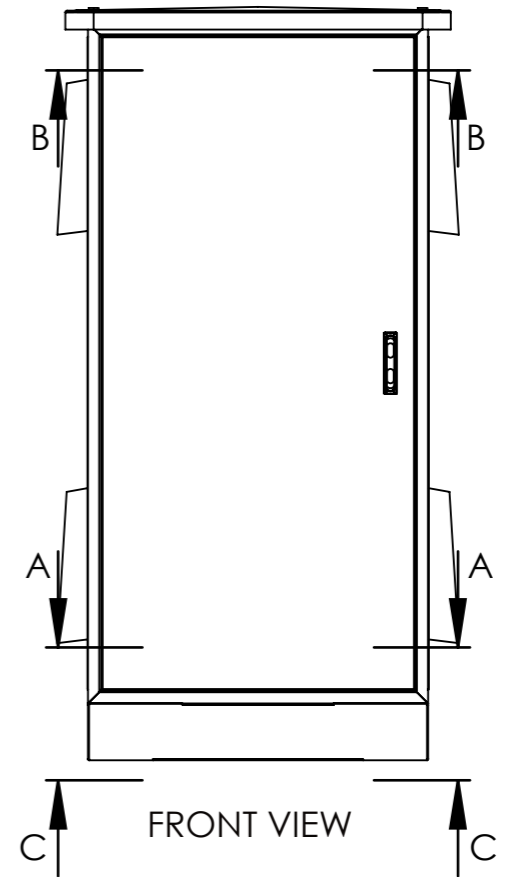
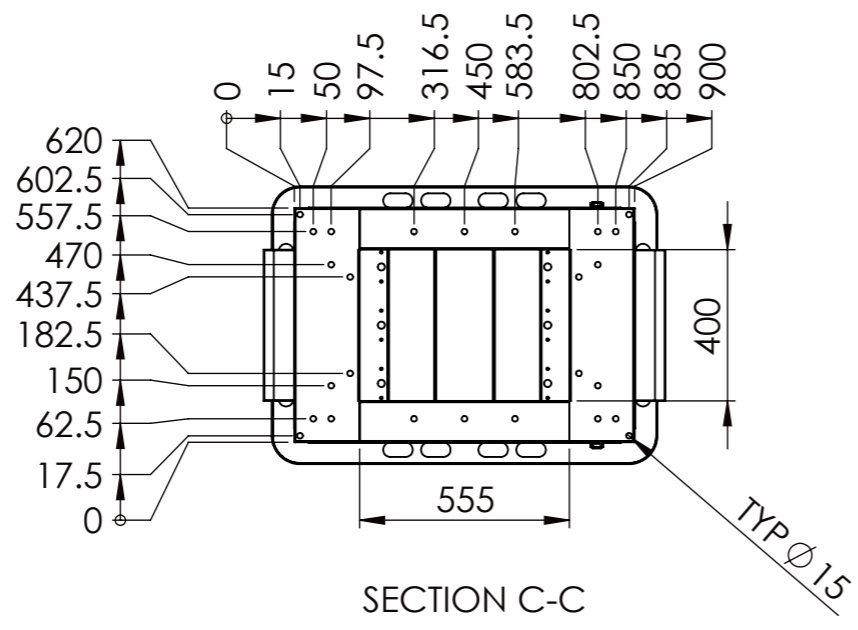
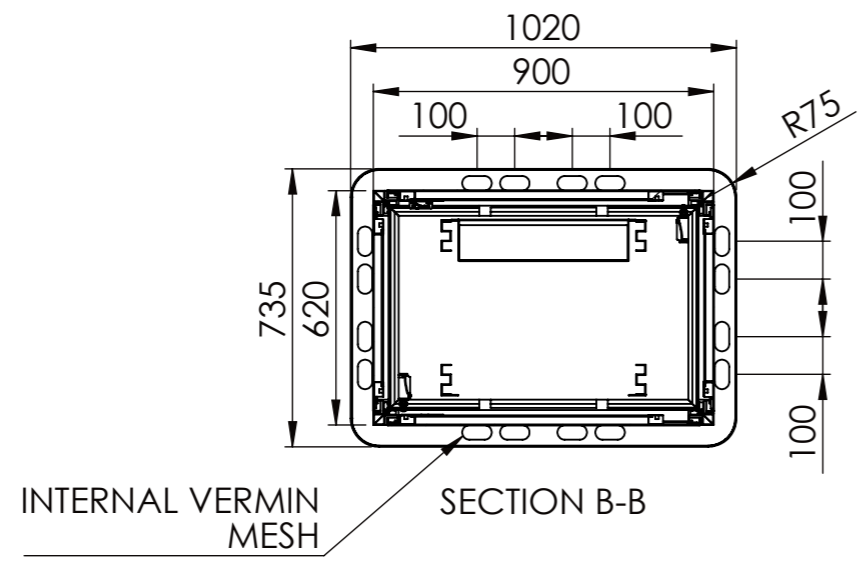
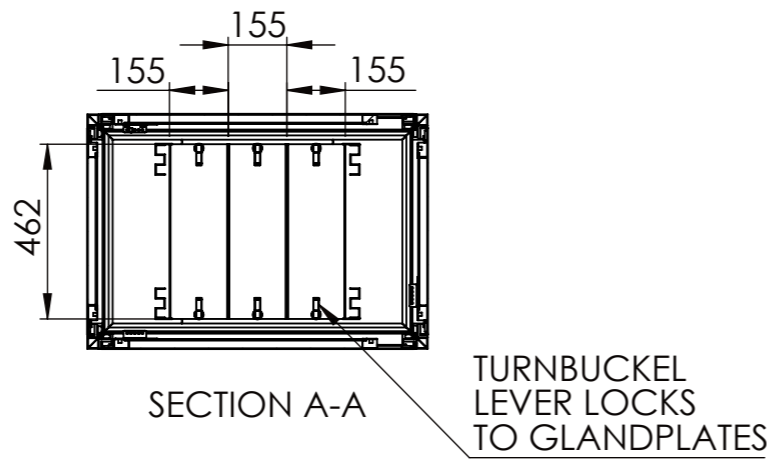


SECTION F-F  
INSIDE OPENING WITH GLANDPLATES  
REMOVED

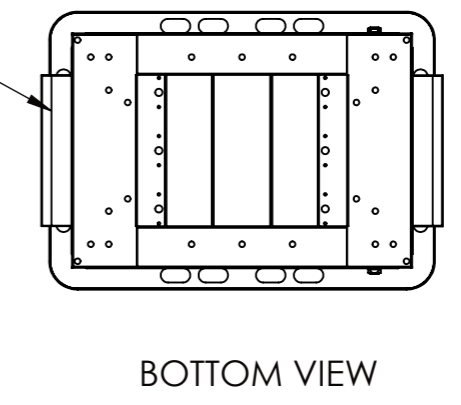
<b>UNLESS NOTED OTHERWISE:</b> 1. Dimensions in millimetres. 2. Deburr and break all sharp edges. Linear Dim's $\pm 0.5$ Hole Diameters $^{+0.1}_{-0.05}$ Angular Dim's $\pm 1^\circ$ All Bends $90^\circ \pm 0.5$			<b>LOGIX ENGINEERING</b> Logix Engineering Pty Ltd 28 Spine St, Sumner Park, QLD, 4074, Australia t: +61 434 034 703 w: www.logixeng.com.au e: tony@logixeng.com.au		Component Type <b>ITCS-ASSEMBLY</b> Finish <b>POWDERCOATED</b> Material <b>ALUMINIUM</b> <b>2.5mm</b>		
Linear tolerance    C Angular tolerance    C Geometry tolerance    L			Component / Assembly Description <b>DPTI-ITCS-180906 ASSEMBLY</b>				
Date Printed <b>30/10/2020</b>		Date Created <b>29/10/2019</b>		Drawing Status <b>RELEASED FOR MANUFACTURE</b>		Drawing Type <b>A</b>	
Checked <b>RJS</b>	Author <b>RJS</b>	Mass <b>N/A</b>	Scale <b>1:20</b>	Sheet No. <b>3 of 6</b>	Sheet size <b>A3</b>	Drawing No. <b>DPTI-ITCS-180906</b>	Drg Rev <b>2A</b>



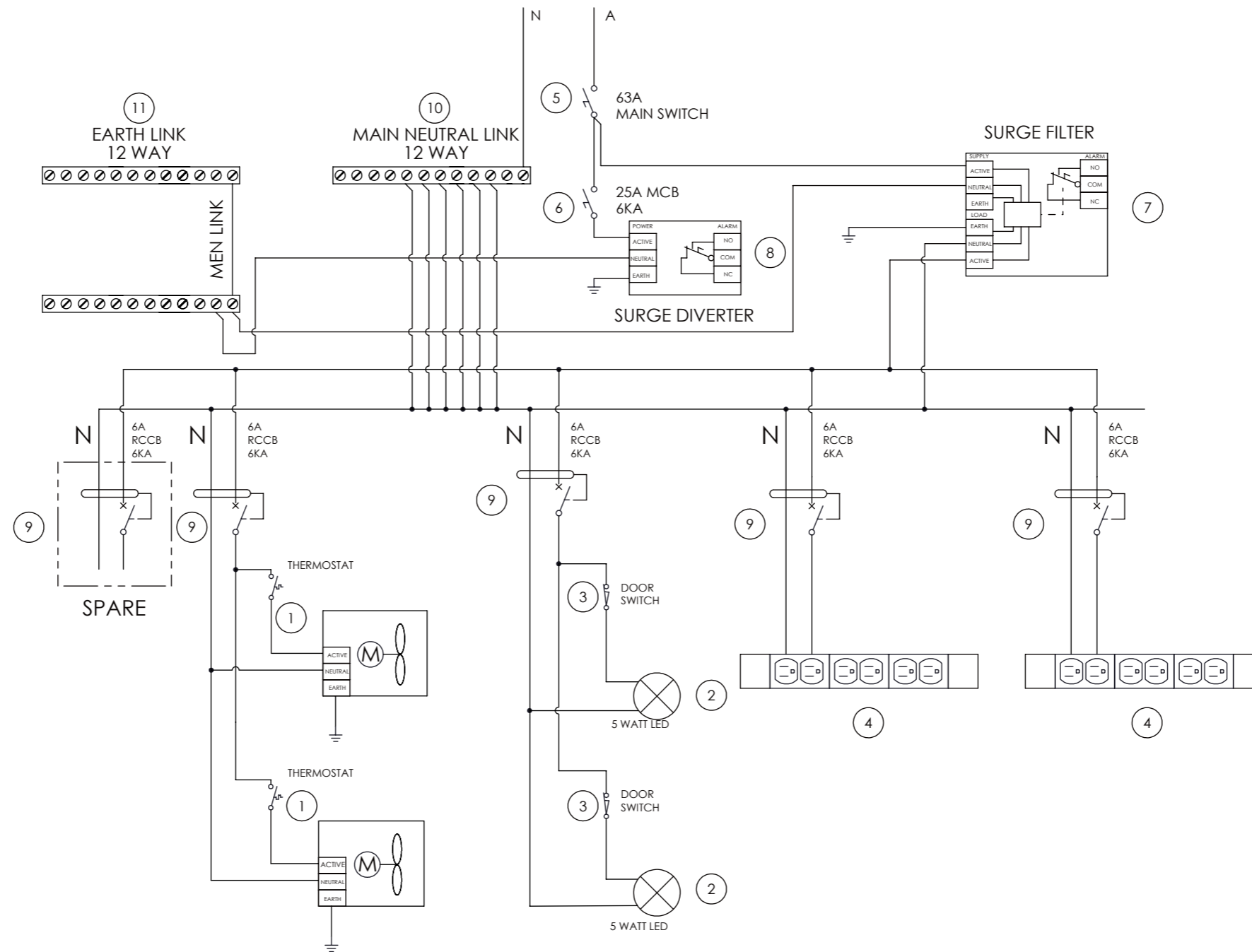
<b>UNLESS NOTED OTHERWISE:</b> 1. Dimensions in millimetres. 2. Deburr and break all sharp edges.				Logix Engineering Pty Ltd 28 Spine St, Sumner Park, QLD, 4074, Australia t: +61 434 034 703 w: www.logixeng.com.au e: tony@logixeng.com.au		Component Type <b>ITCS-ASSEMBLY</b>		
Linear Dim's $\pm 0.5$ Angular Dim's $\pm 1^\circ$	Hole Diameters $^{+0.1}_{-0.05}$ All Bends $90^\circ \pm 0.5$			Finish <b>POWDERCOATED</b>	Material <b>ALUMINIUM</b> <b>2.5mm</b>	Component / Assembly Description <b>DPTI-ITCS-180906 ASSEMBLY</b>		
Linear tolerance C Angular tolerance C Geometry tolerance L			Drawing Status <b>RELEASED FOR MANUFACTURE</b>		Drawing Type <b>A</b>			
Date Printed <b>30/10/2020</b>	Date Created <b>29/10/2019</b>			Scale <b>1:20</b>	Sheet No. <b>4 of 6</b>	Sheet size <b>A3</b>	Drawing No. <b>DPTI-ITCS-180906</b>	Drg Rev <b>2A</b>
Checked <b>RJS</b>	Author <b>RJS</b>	Mass <b>N/A</b>						



VERMIN MESH TO UNDERSIDE OF ALL VENT COVERS



<b>UNLESS NOTED OTHERWISE:</b> 1. Dimensions in millimetres. 2. Deburr and break all sharp edges. Linear Dim's $\pm 0.5$ Hole Diameters $^{+0.1}_{-0.05}$ Angular Dim's $\pm 1^\circ$ All Bends $90^\circ \pm 0.5$			<b>LOGIX ENGINEERING</b> Logix Engineering Pty Ltd 28 Spine St, Sumner Park, QLD, 4074, Australia t: +61 434 034 703 w: www.logixeng.com.au e: tony@logixeng.com.au		Component Type <b>ITCS-ASSEMBLY</b> Finish <b>POWDERCOATED</b> Material <b>ALUMINIUM</b> <b>2.5mm</b>
Linear tolerance C Angular tolerance C Geometry tolerance L			Component / Assembly Description <b>DPTI-ITCS-180906 ASSEMBLY</b>		
Date Printed <b>30/10/2020</b>		Date Created <b>29/10/2019</b>		Drawing Status <b>RELEASED FOR MANUFACTURE</b>	
Checked <b>RJS</b>	Author <b>RJS</b>	Mass <b>N/A</b>		Scale <b>1:20</b>	Sheet No. <b>5 of 6</b>
				Sheet size <b>A3</b>	Drawing No. <b>DPTI-ITCS-180906</b>
					Drawing Type <b>A</b> Drg Rev <b>2A</b>



ITEM No	DESCRIPTION	SUPPLIER	PART No	QTY
1	THERMOSTAT	LEIPOLE	JWT-60-11F	2
2	LIGHT	SAL	SL9706/280TC	2
3	DOOR SWITCH	SCHNEIDER	XCK	2
4	PDU	TURNLINK	ITCS-PDU-06	2
5	MAIN SWITCH	SCHNEIDER	A9S66163	1
6	25AMCB	SCHNEIDER	A9F44125	1
7	SURGE FILTER	NOVARIS	SFD1-20-50-275A	1
8	SURGE DIVERTER	NOVARIS	SDD1-100-275-A	1
9	6A RCBO	SCHNEIDER	A9D61806	5
10	NEUTRAL	NETEC	NE32F012X	1
11	EARTH	NETEC	NE32F012X	1
12	NEUTRAL FEET	NETEC	INSF-M55	2

UNLESS NOTED OTHERWISE:  
 1. Dimensions in millimetres.  
 2. Deburr and break all sharp edges.

Linear Dim's  $\pm 0.5$  Hole Diameters  $^{+0.1}_{-0.05}$   
 Angular Dim's  $\pm 1^\circ$  All Bends  $90^\circ \pm 0.5$

Linear tolerance	C
Angular tolerance	C
Geometry tolerance	L

Date Printed: **30/10/2020** Date Created: **29/10/2019**

Checked	Author	Mass
RJS	RJS	N/A

	Logix Engineering Pty Ltd 28 Spine St, Sumner Park, QLD, 4074, Australia t: +61 434 034 703 w: www.logixeng.com.au e: tony@logixeng.com.au	Component Type <b>ITCS-ASSEMBLY</b>
	Finish <b>POWDERCOATED</b> Material <b>ALUMINIUM</b> <b>2.5mm</b>	
Component / Assembly Description <b>DPTI-ITCS-180906 ASSEMBLY</b>		
Drawing Status <b>RELEASED FOR MANUFACTURE</b>	Drawing Type <b>A</b>	
Scale: <b>1:10</b> Sheet No: <b>6 of 6</b> Sheet size: <b>A3</b>	Drawing No.: <b>DPTI-ITCS-180906</b>	Drg Rev: <b>2A</b>